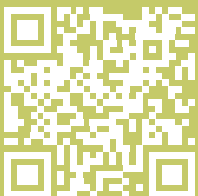


90527

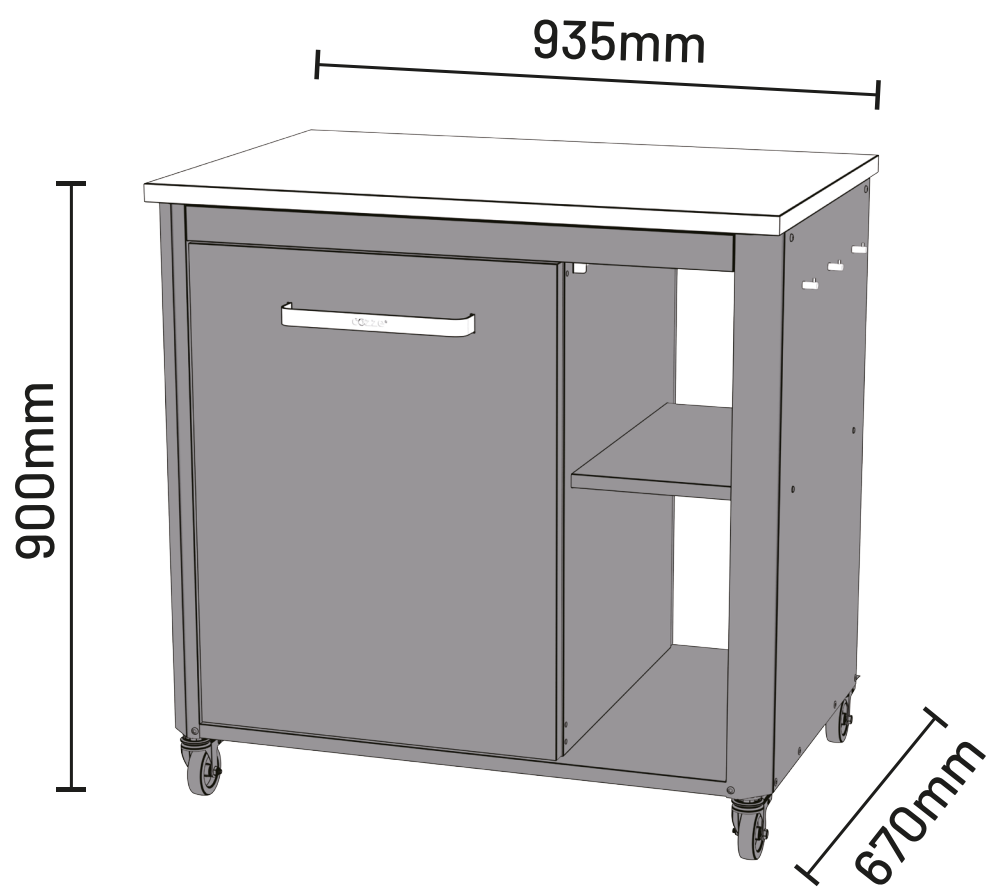
ASSEMBLY INSTRUCTIONS FOR OUTDOOR KITCHEN 90

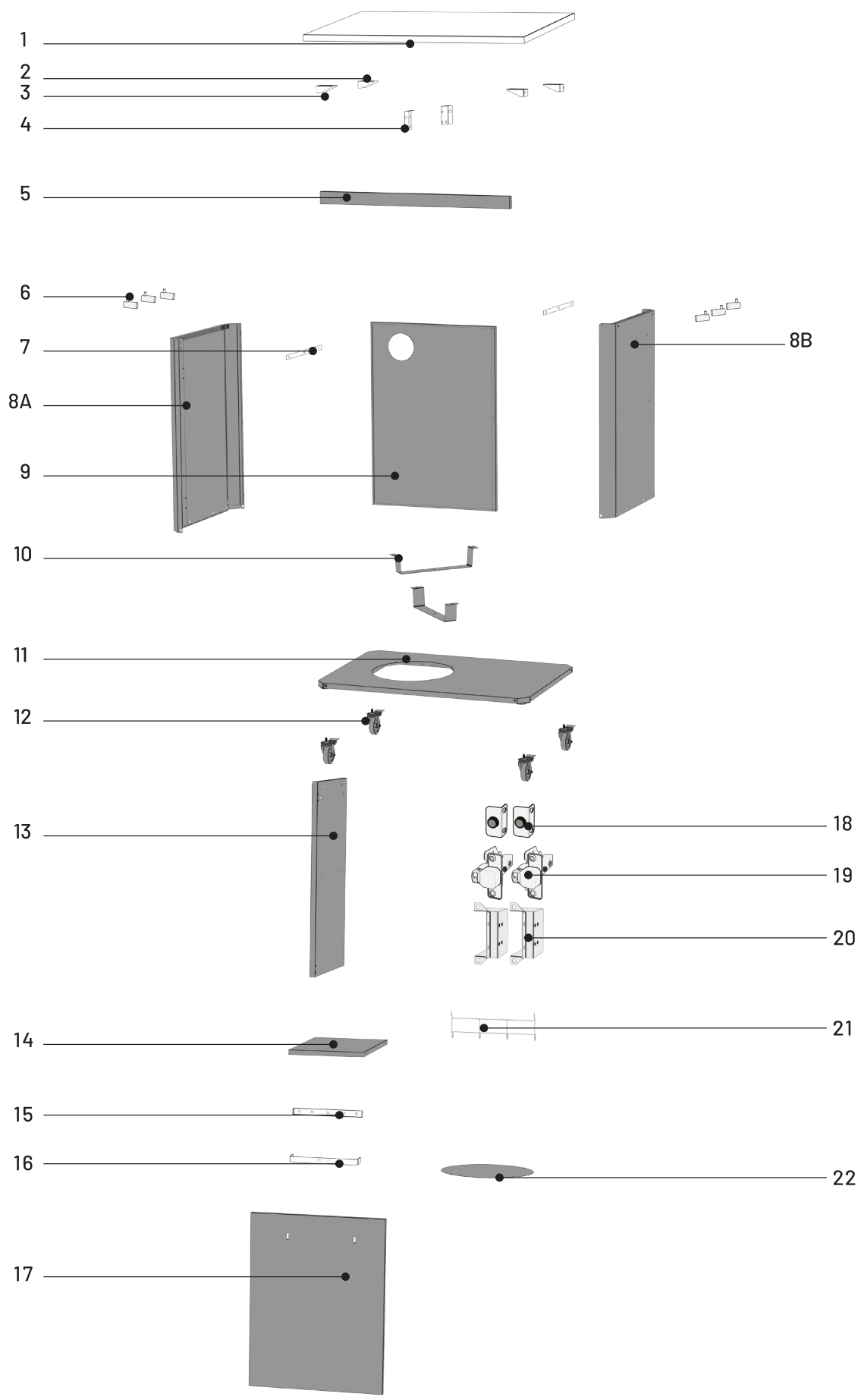




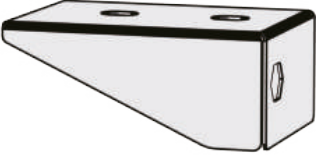
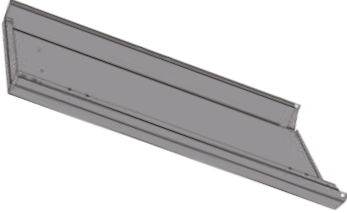
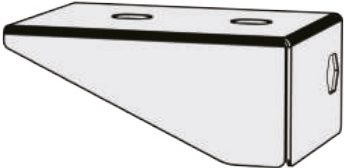
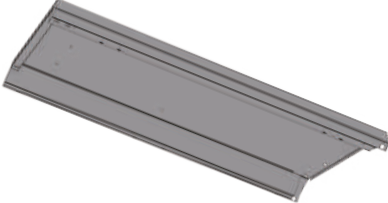






FIND A VIDEO ON HOW TO
ASSEMBLE THE OUTDOOR KITCHEN AT
COZZEBBQ.COM/ASSEMBLY

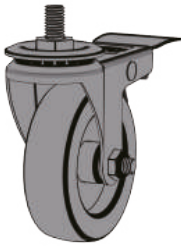

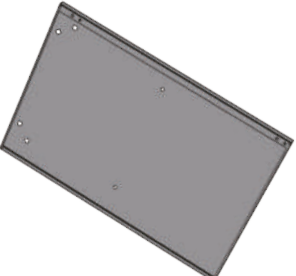
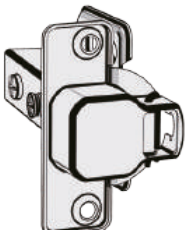



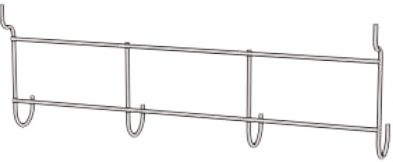





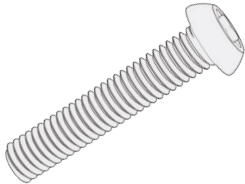
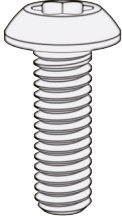
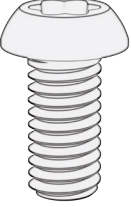
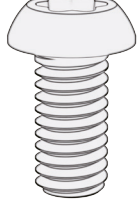
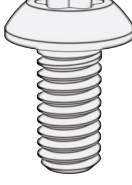

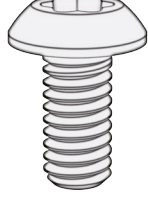
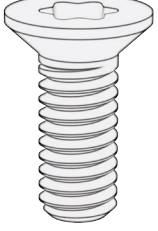

cozze®

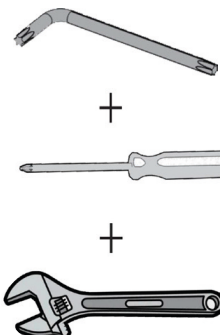
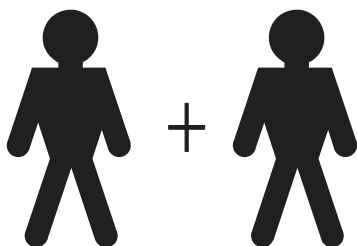





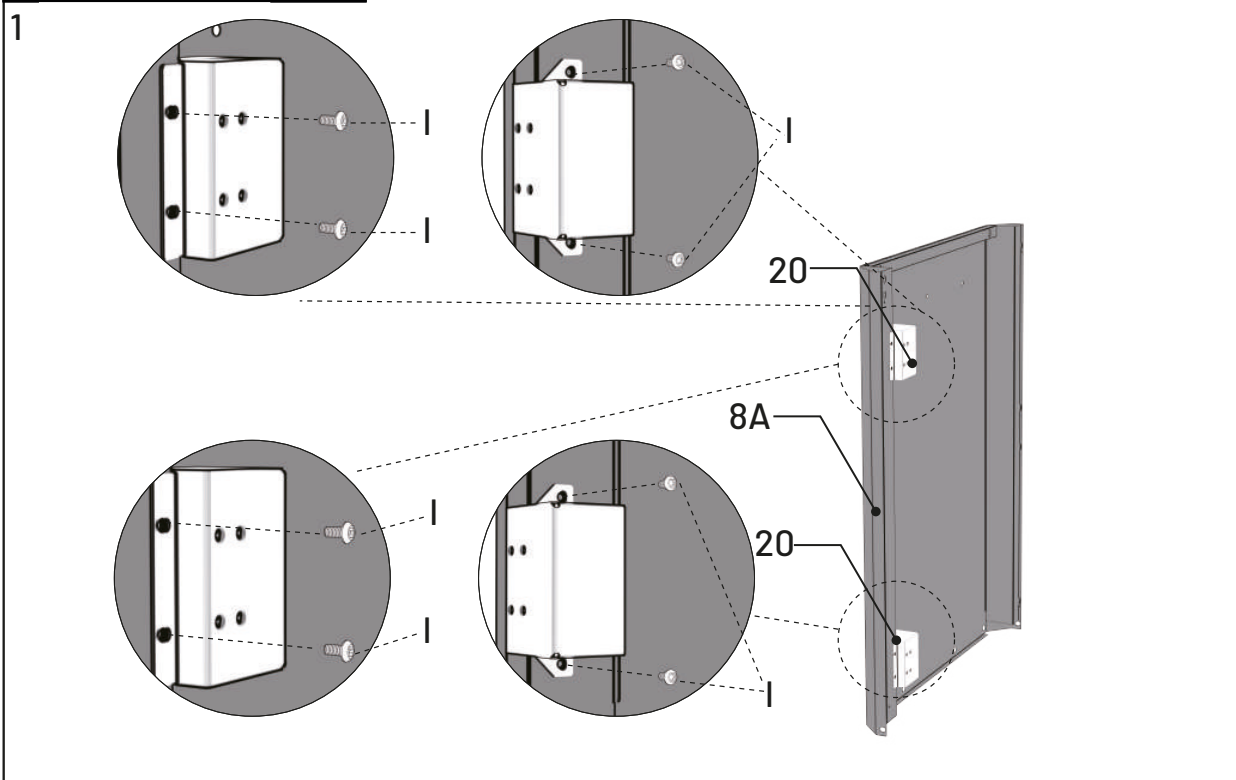
| | | | | | |
|---|---|-------|----|---|-------|
| 1 |  | 1pc. | 7 |  | 2pcs. |
| 2 |  | 2pcs. | 8A |  | 1pc. |
| 3 |  | 2pcs. | 8B |  | 1pc. |
| 4 |  | 2pcs. | 9 |  | 1pc. |
| 5 |  | 1pc. | 10 |  | 2pcs. |
| 6 |  | 6pcs. | 11 |  | 1pc. |


| | | | | | |
|----|---|-------|----|--|-------|
| 12 |  | 4pcs. | 18 |  | 2pcs. |
| 13 |  | 1pc. | 19 |  | 2pcs. |
| 14 |  | 1pc. | 20 |  | 2pcs. |
| 15 |  | 1pc. | 21 |  | 1pc. |
| 16 |  | 1pc. | 22 |  | 1pc. |
| 17 |  | 1pc. | | | |

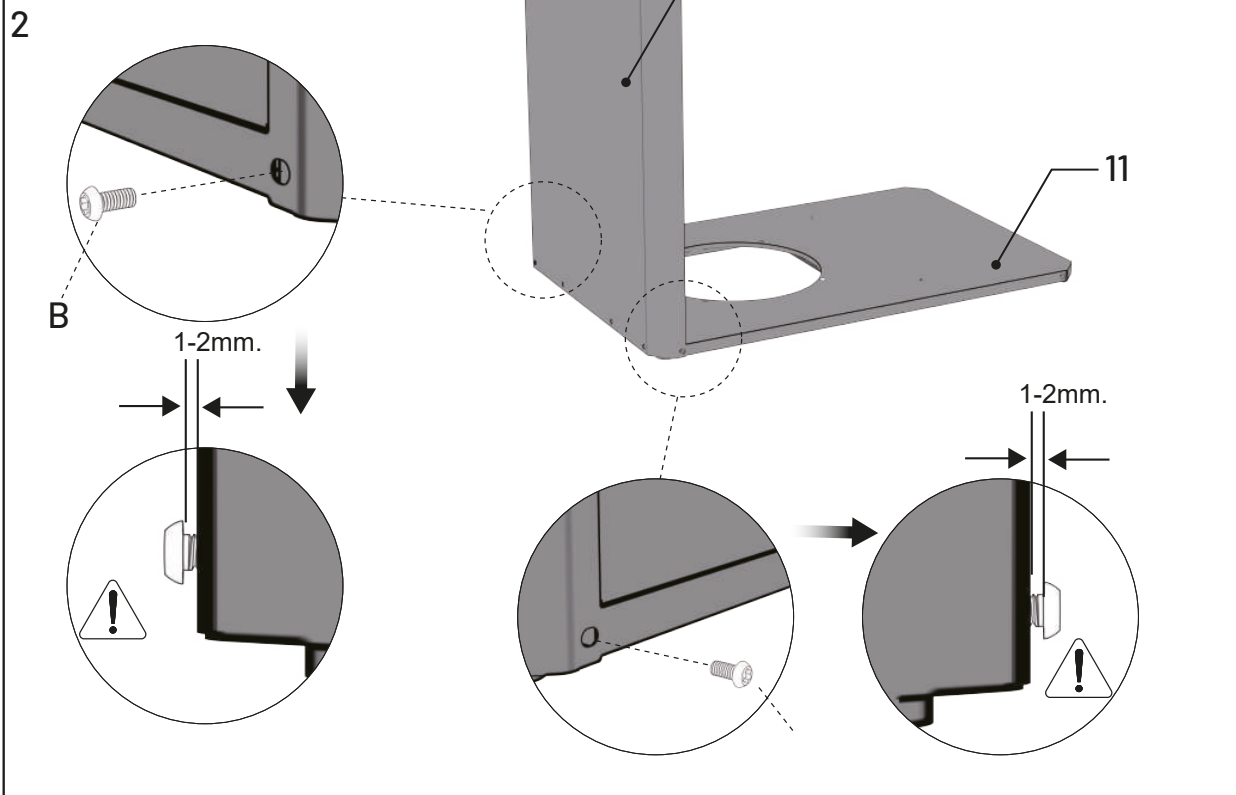
| | | | | | |
|---|--|--------|---|--|--------|
| A | M6X40  | 4pcs. | D | M4X16  | 2pcs. |
| B | M6X12  | 14pcs. | F | M6X12-SS  | 14pcs. |
| L | M4X8  | 6pcs. | C | ST4.2X10  | 10pcs. |
| I | M4X8-SS  | 30pcs. | J | M6X16  | 8pcs. |
| E | M6  | 1pc. | | | |




| | | |
|---|--|-------|
| I | M4X8-SS  | 8pcs. |
|---|--|-------|

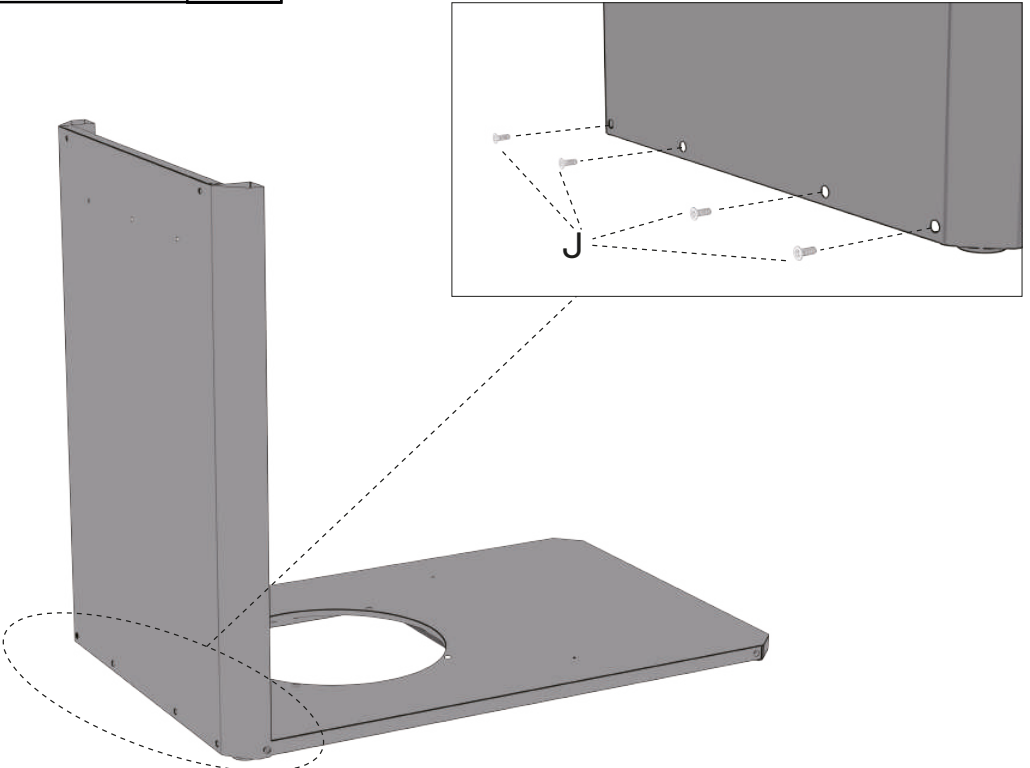


| | | |
|---|--|-------|
| B | M6X12  | 2pcs. |
|---|--|-------|

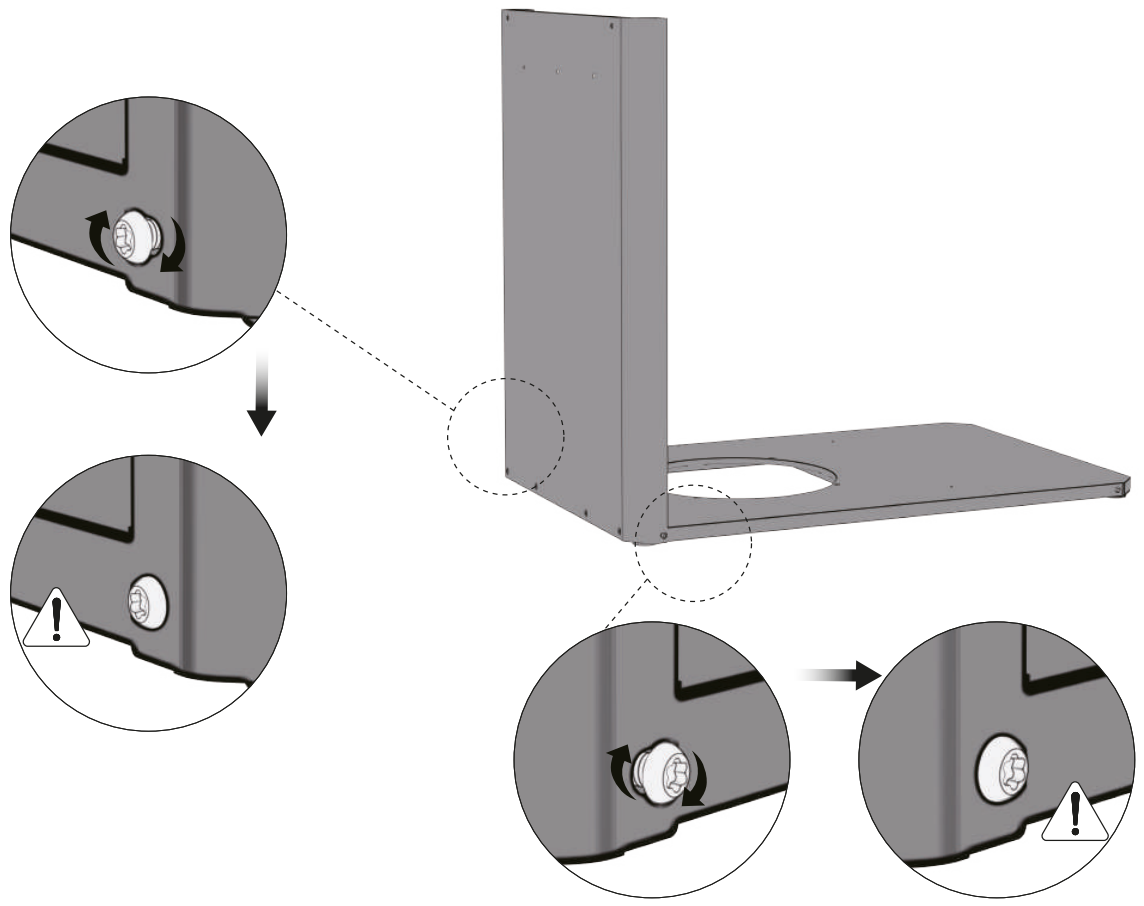



| | | |
|---|--|-------|
| J | M6X16  | 4pcs. |
|---|--|-------|

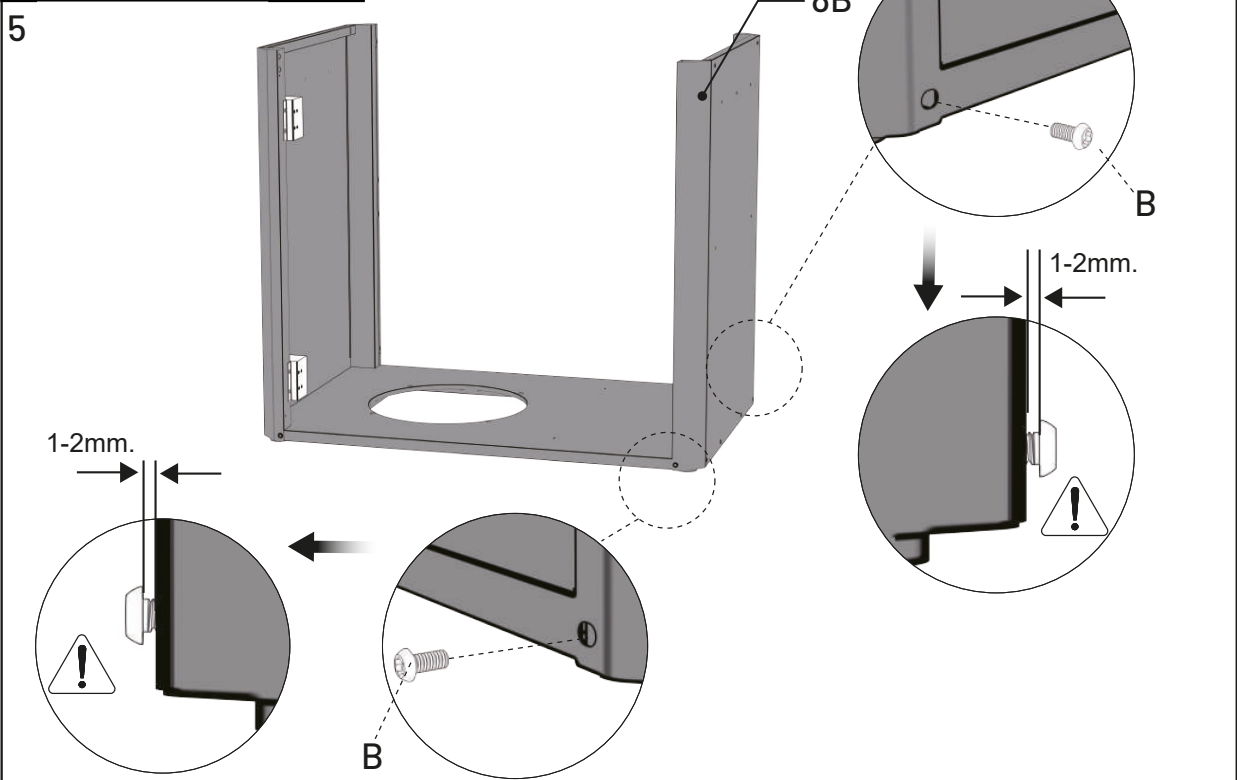
3




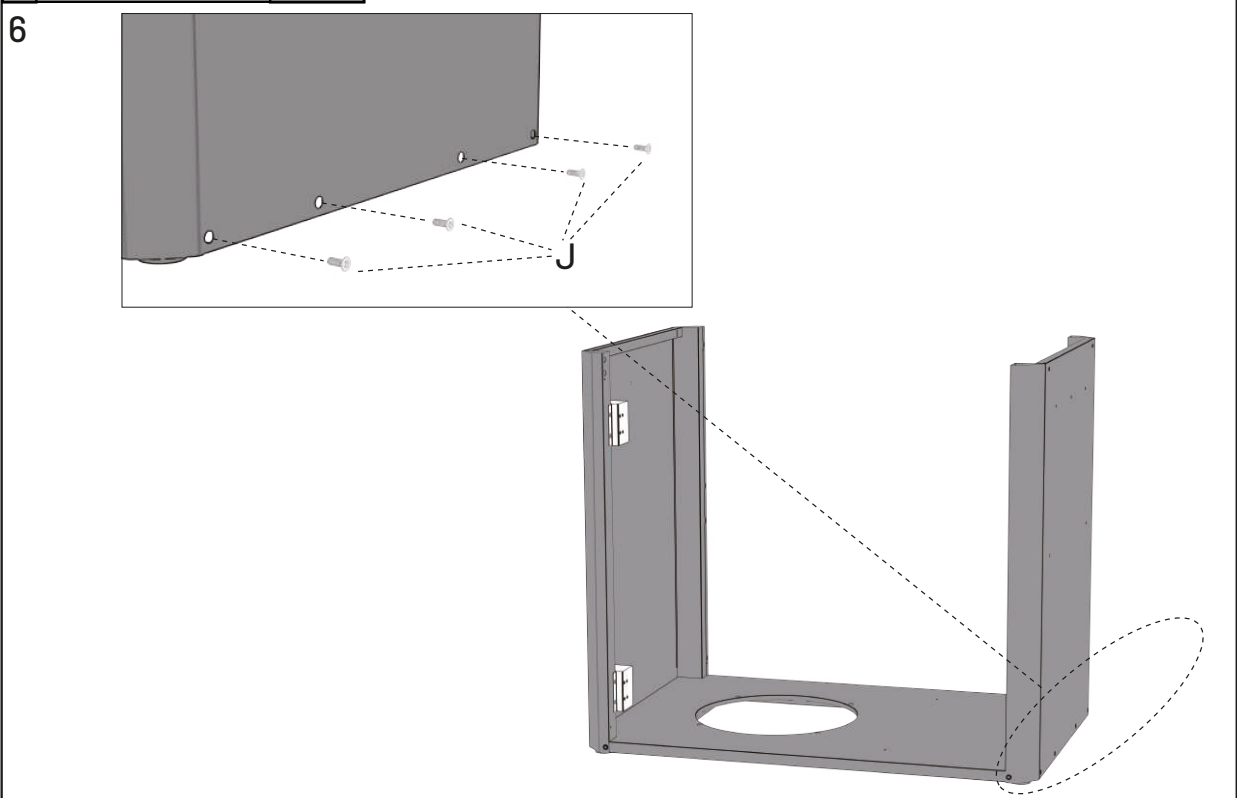
4



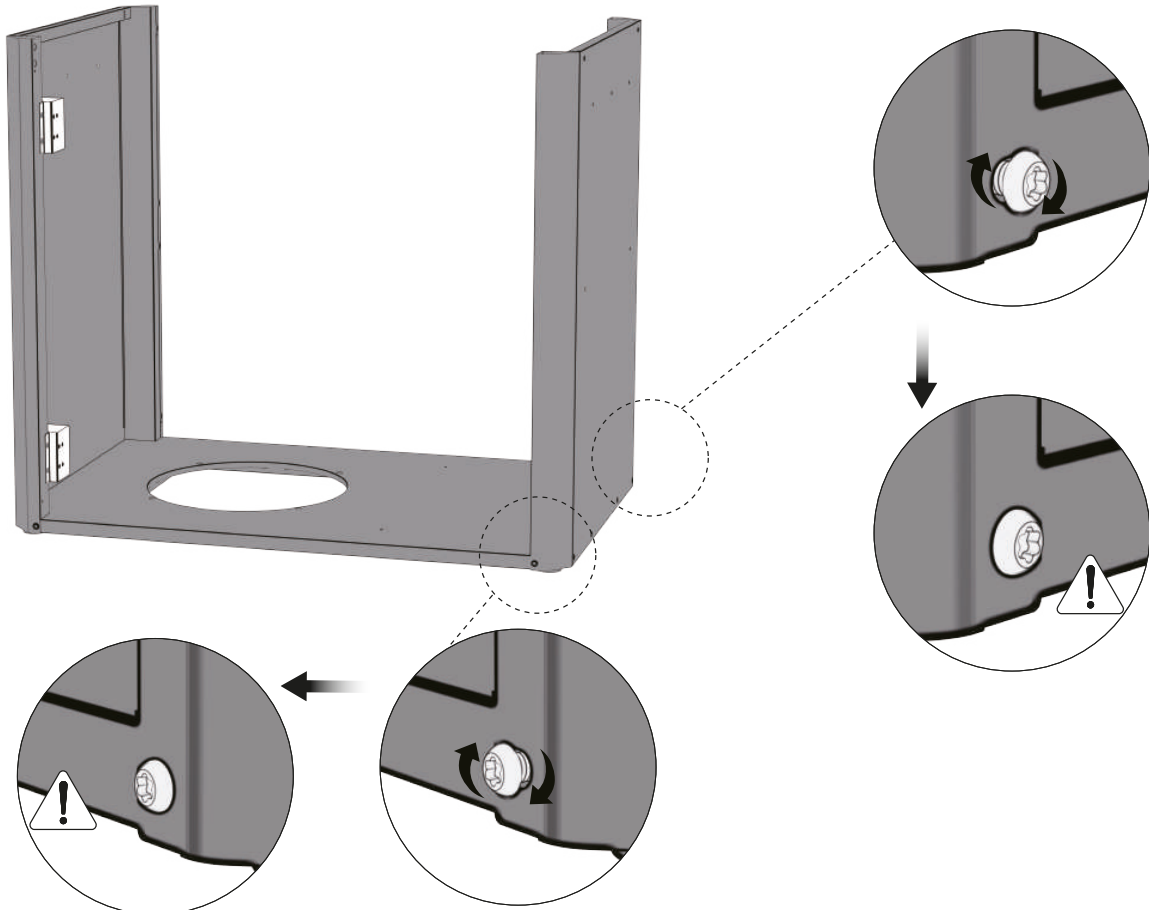
| | | |
|---|--|-------|
| B | <p>M6X12</p>  | 2pcs. |
|---|--|-------|




| | | |
|---|--|-------|
| J | <p>M6X16</p>  | 4pcs. |
|---|--|-------|

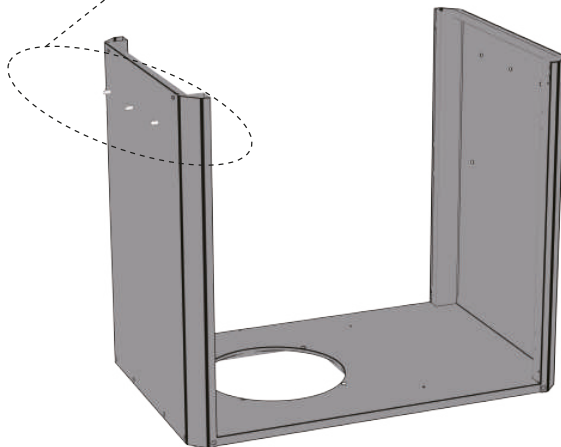
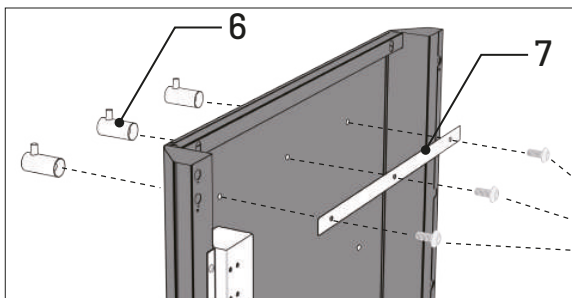



7



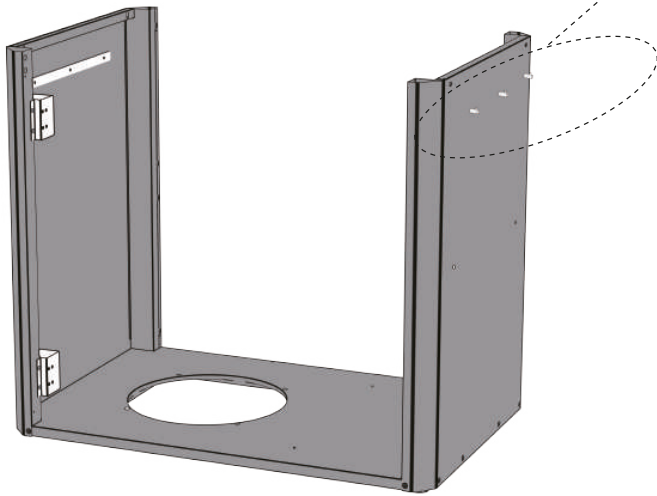
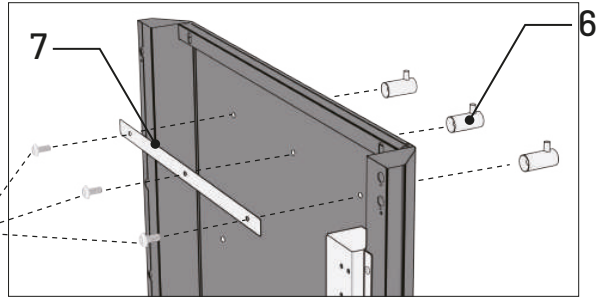
| | | |
|---|--|-------|
| 1 | M4X8-SS  | 3pcs. |
|---|--|-------|


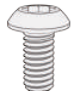
8



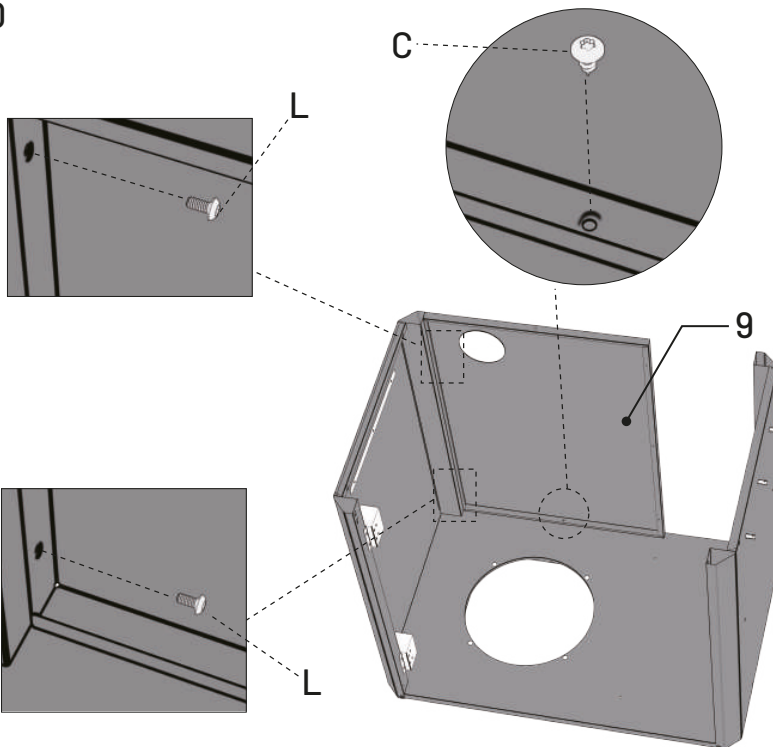
| | | |
|---|--|-------|
| I | M4X8-SS  | 3pcs. |
|---|--|-------|

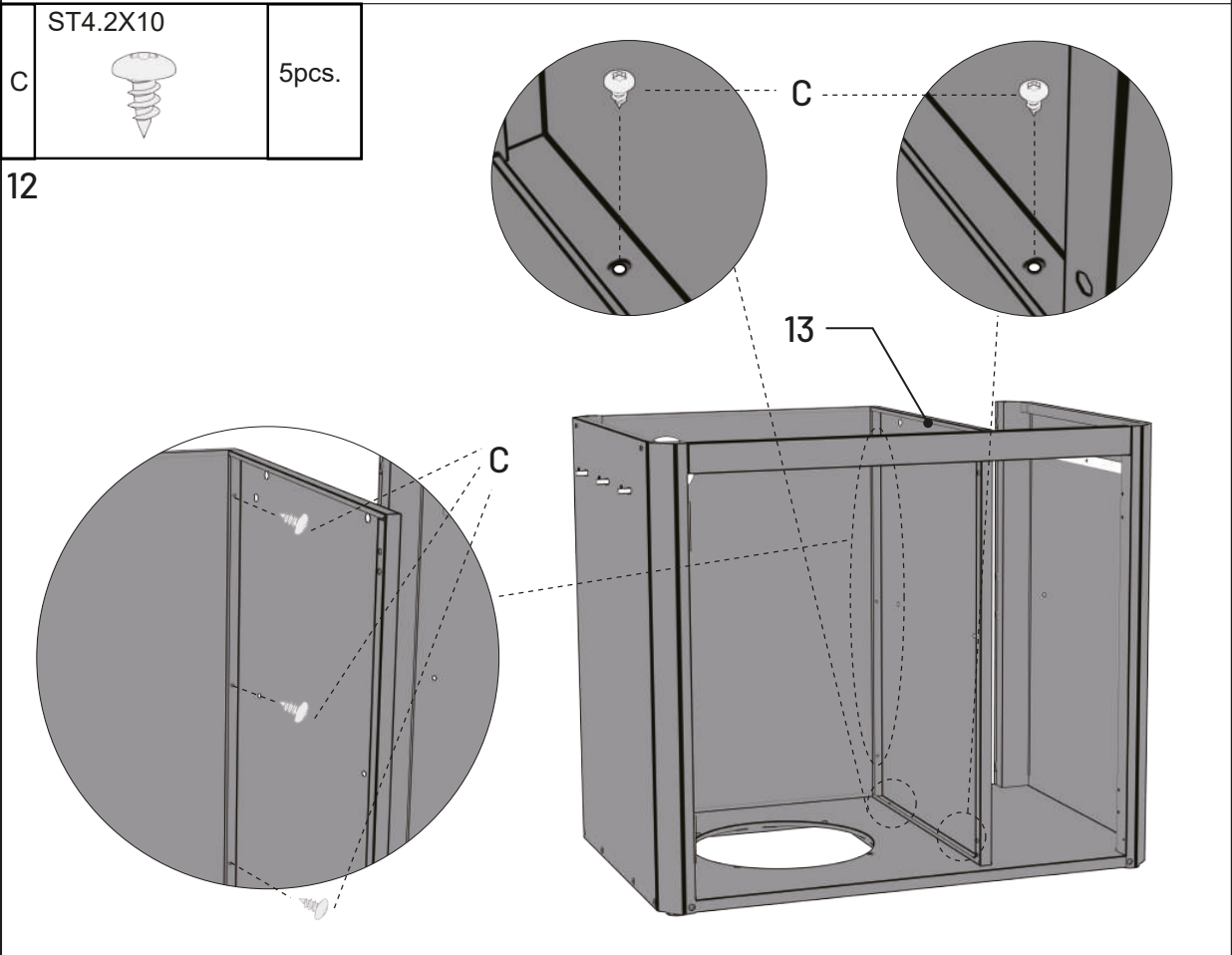
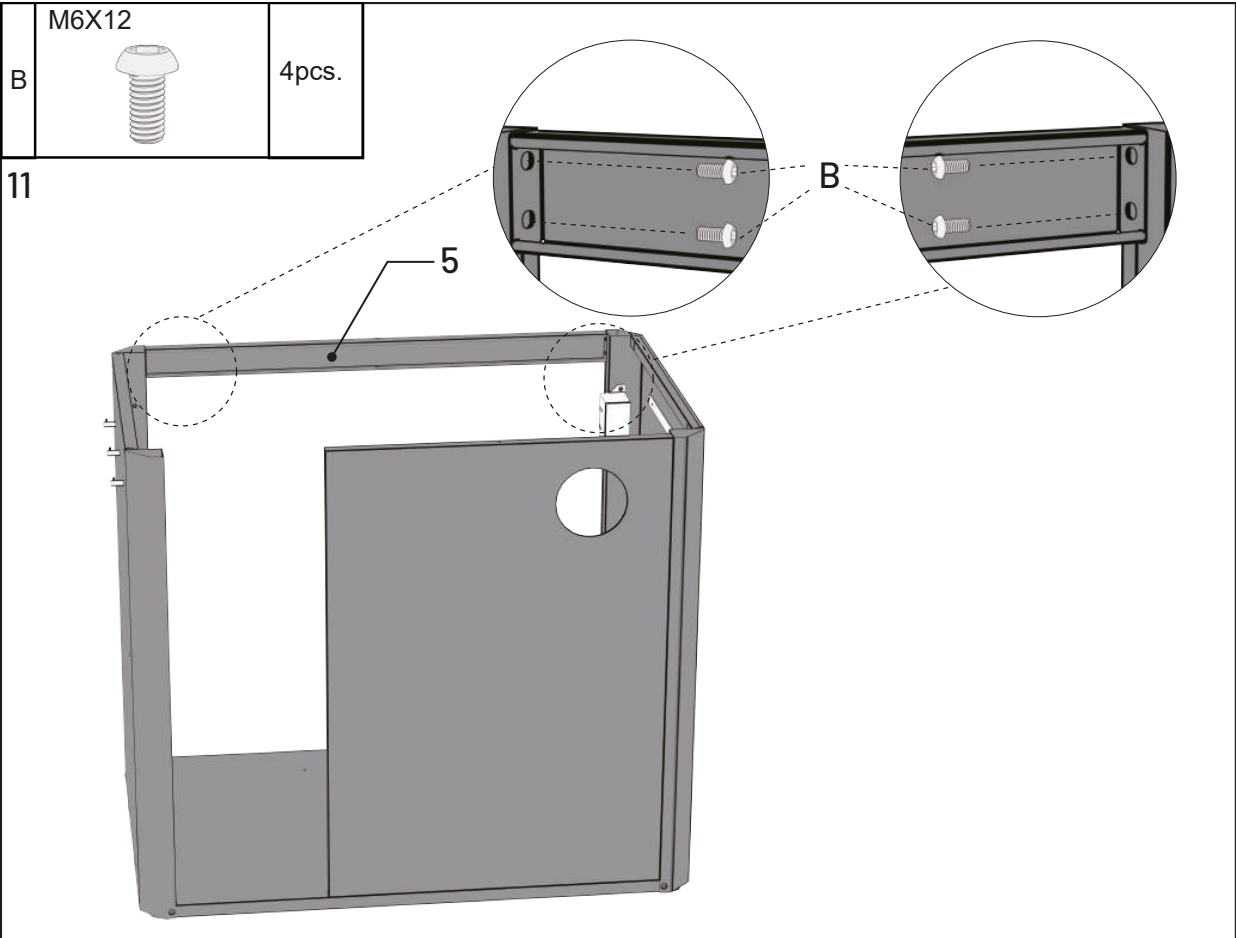
9




| | | | | | |
|---|---|-------|---|---|-------|
| C | ST4.2X10  | 1pcs. | L | M4X8  | 2pcs. |
|---|---|-------|---|---|-------|

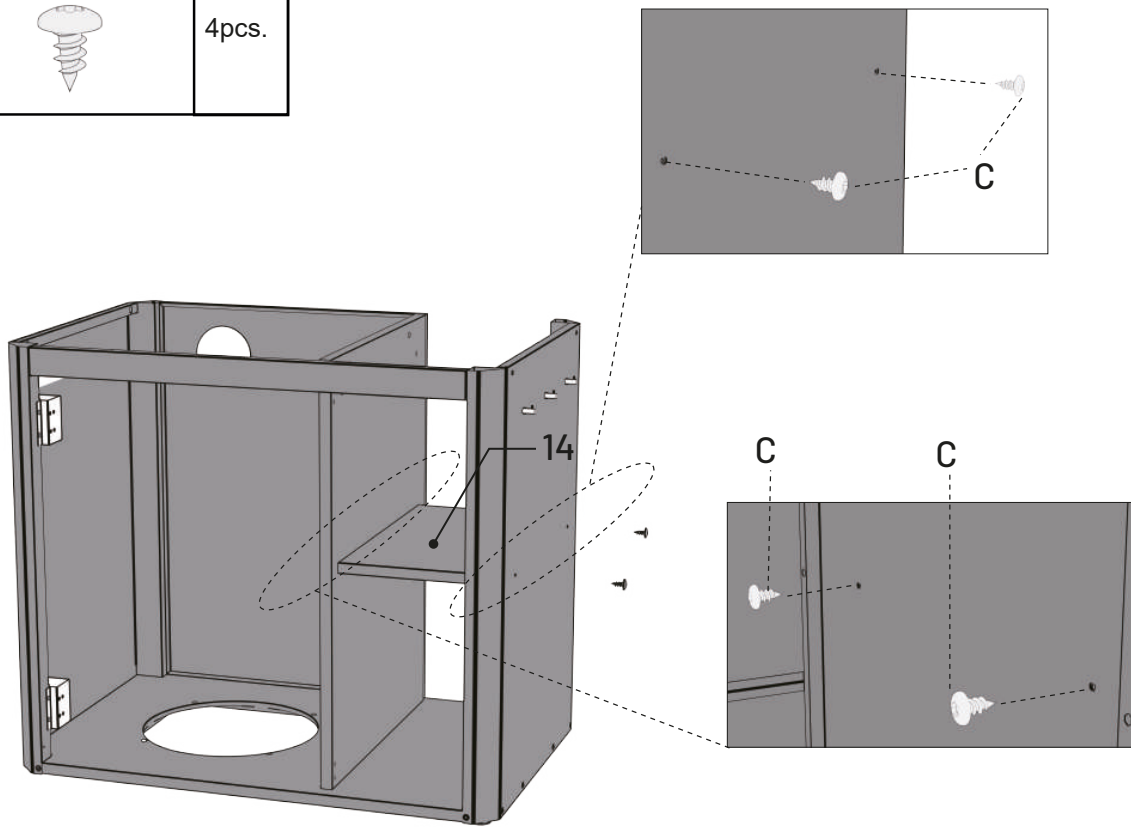
10



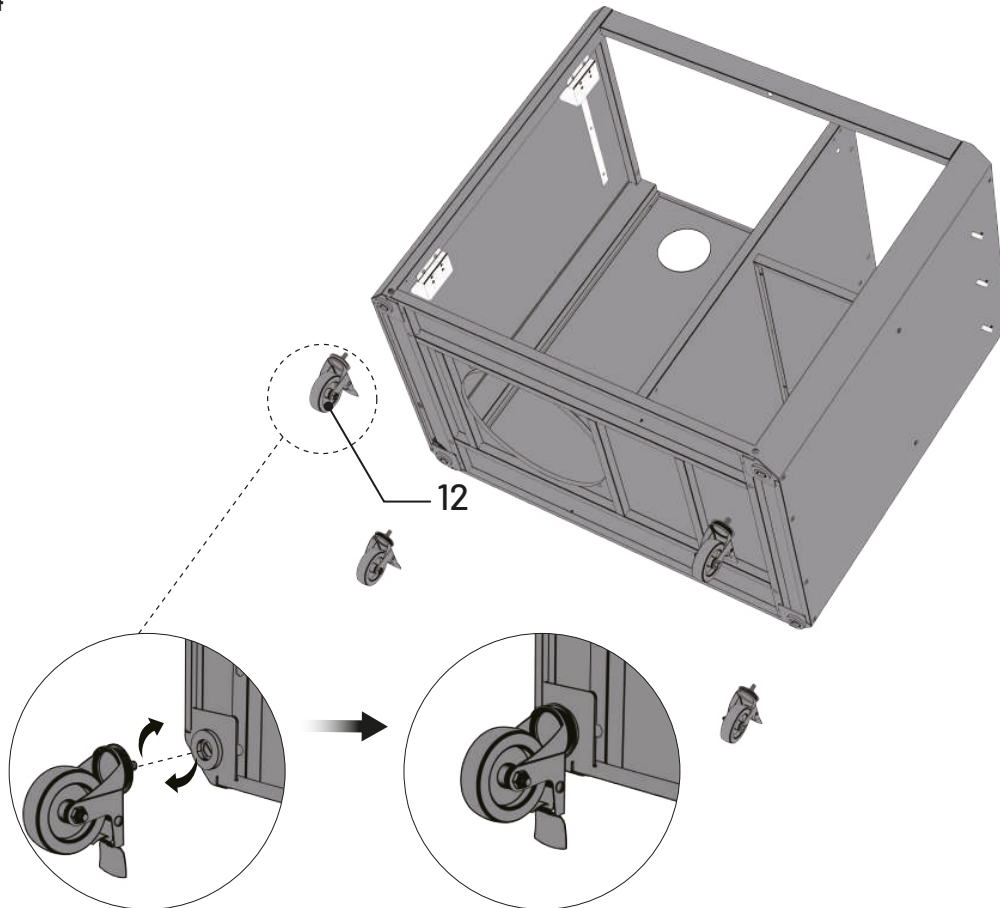



| | | |
|---|---|-------|
| | ST4.2X10 | |
| C |  | 4pcs. |

13

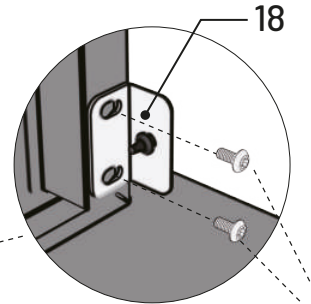
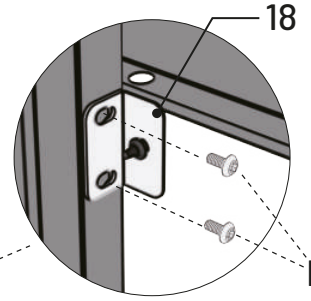
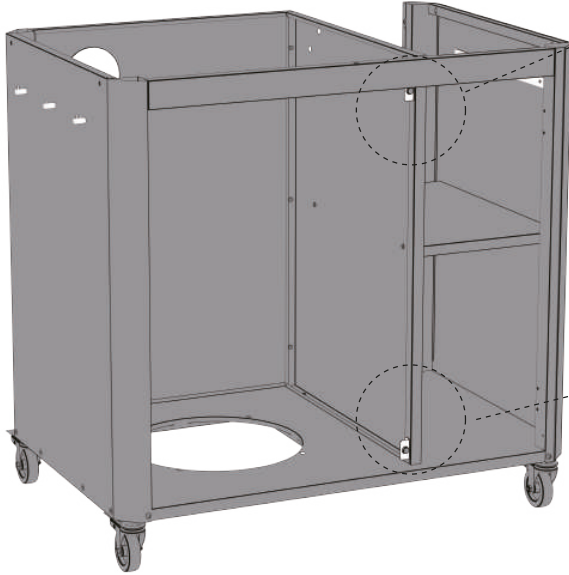


14



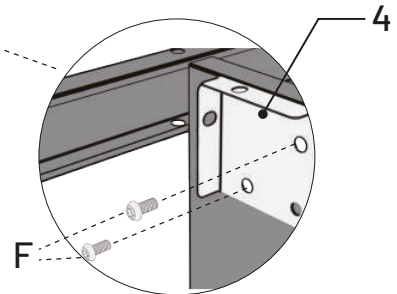
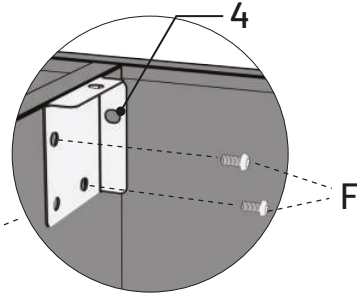
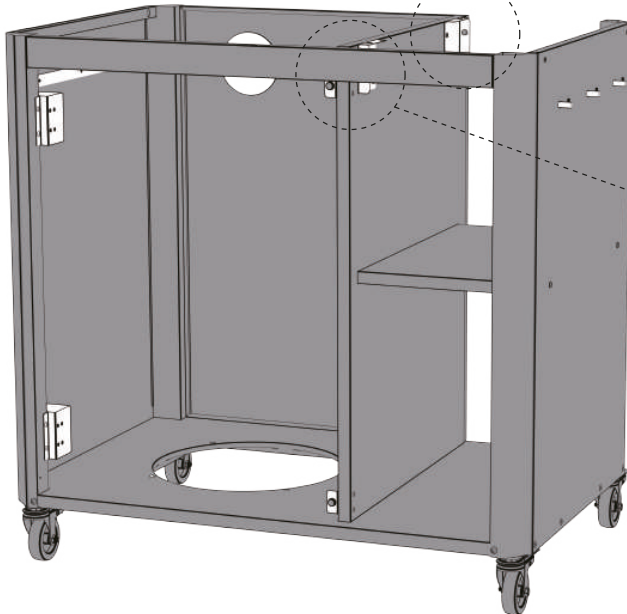
| | | |
|---|--|-------|
| I | <p>M4X8-SS</p>  | 4pcs. |
|---|--|-------|


15



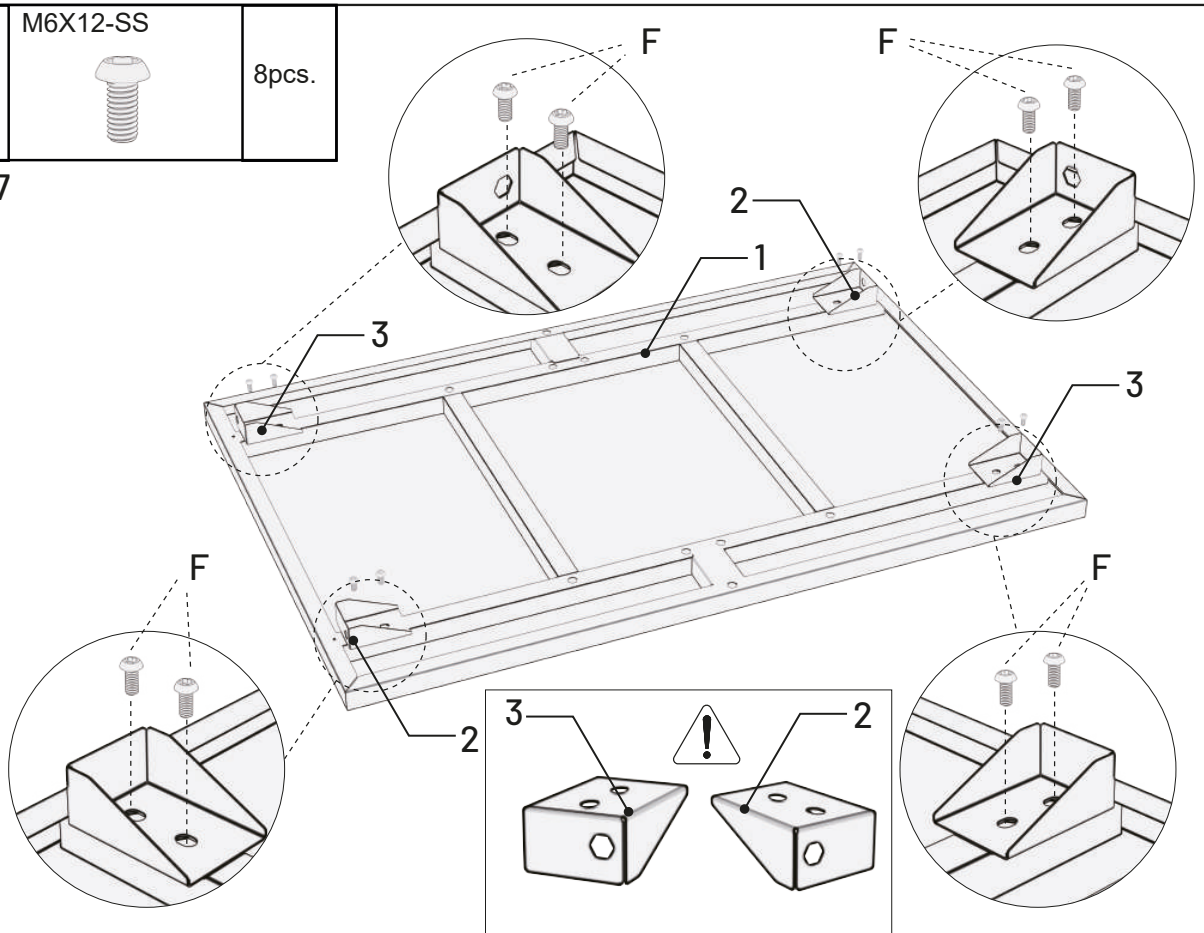
| | | |
|---|---|-------|
| F | <p>M6X12-SS</p>  | 4pcs. |
|---|---|-------|

16



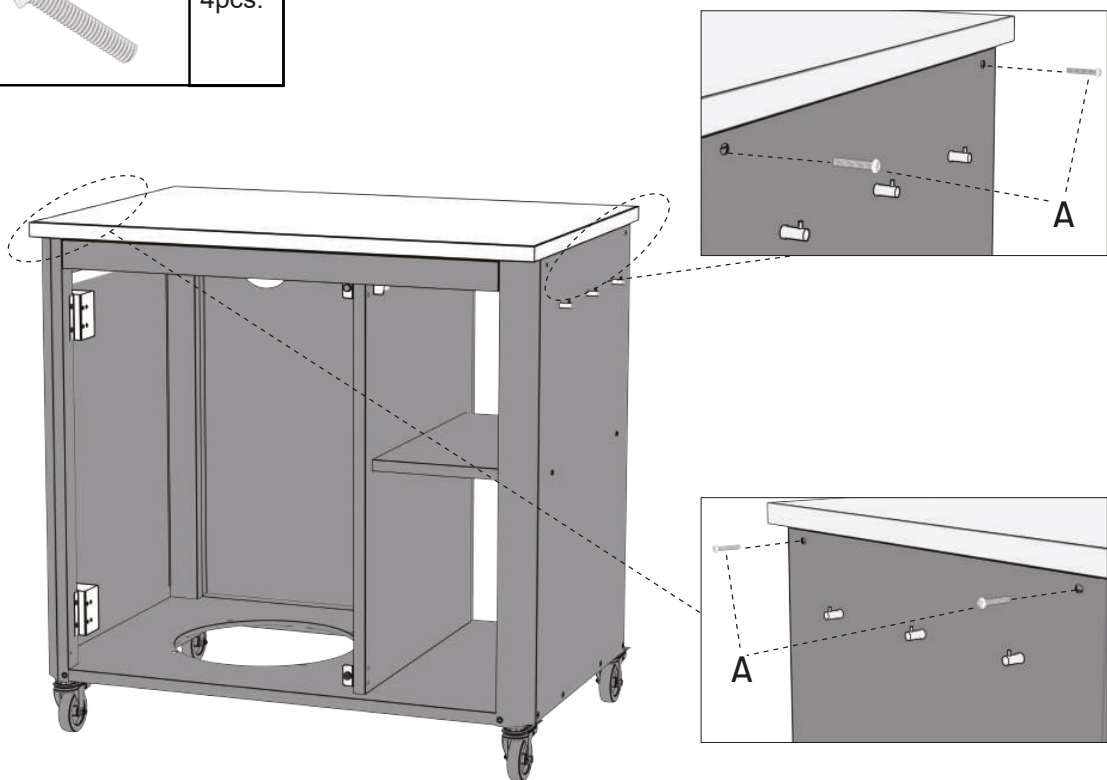
| | | |
|---|---|-------|
| F | M6X12-SS  | 8pcs. |
|---|---|-------|

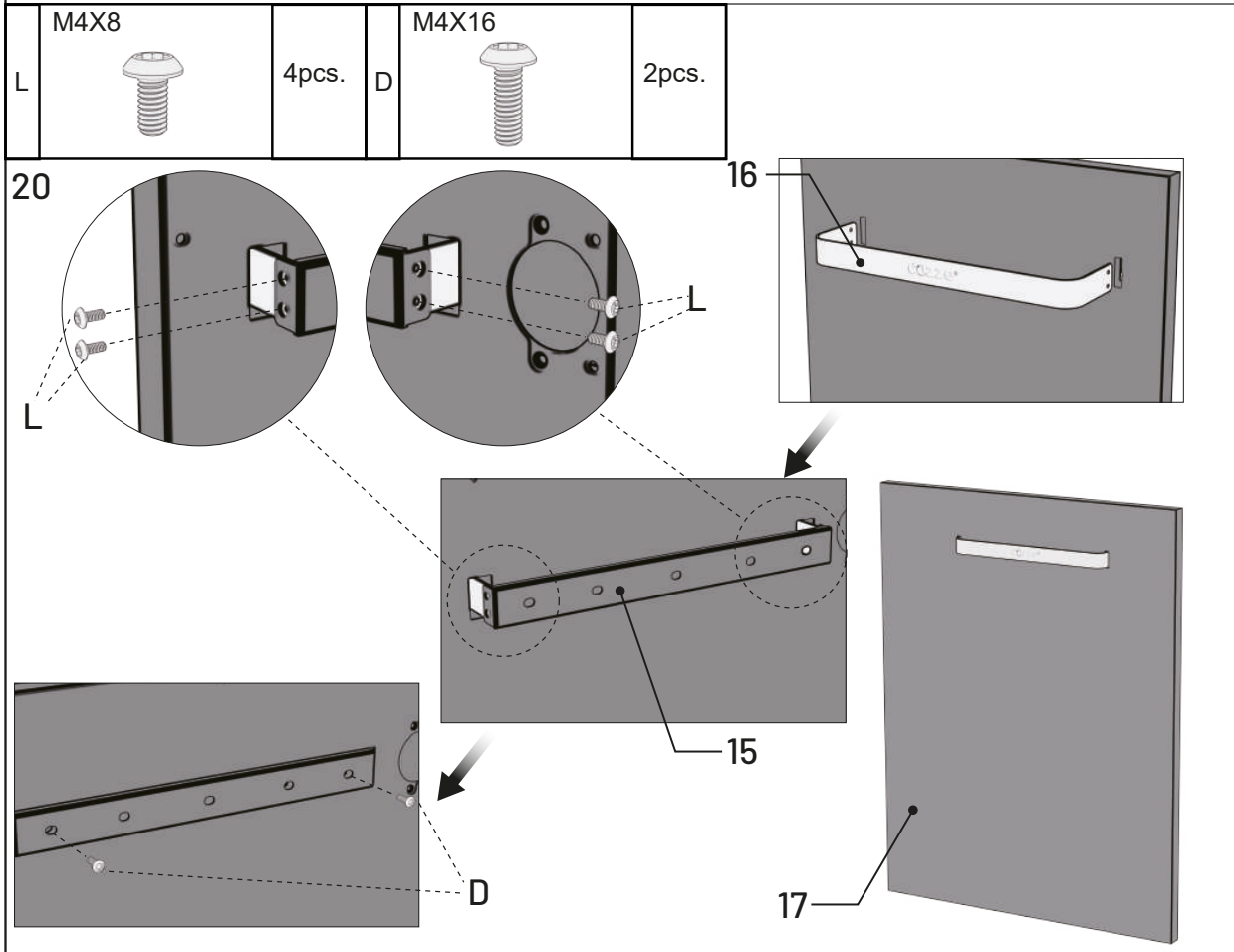
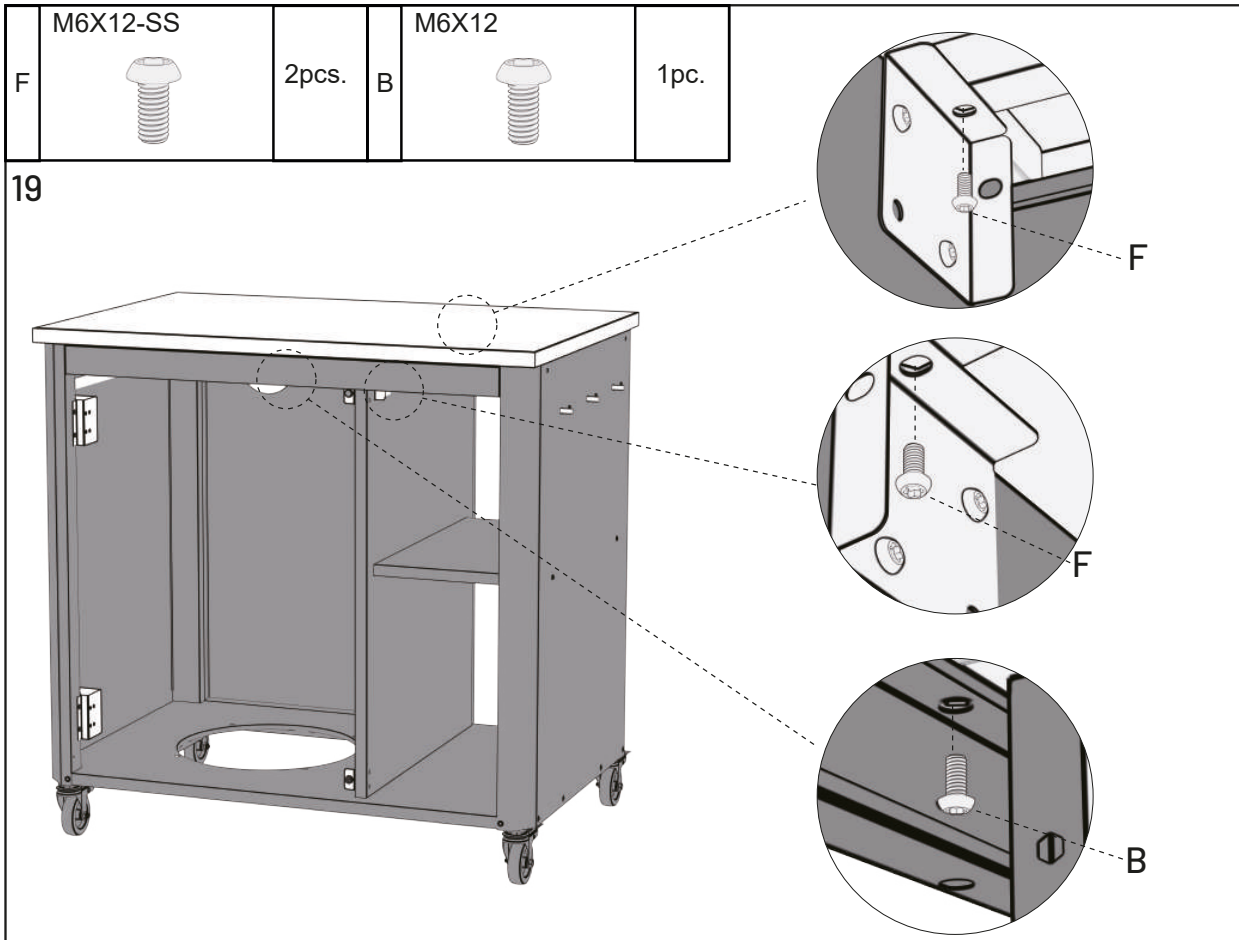
17




| | | |
|---|--|-------|
| A | M6X40  | 4pcs. |
|---|--|-------|

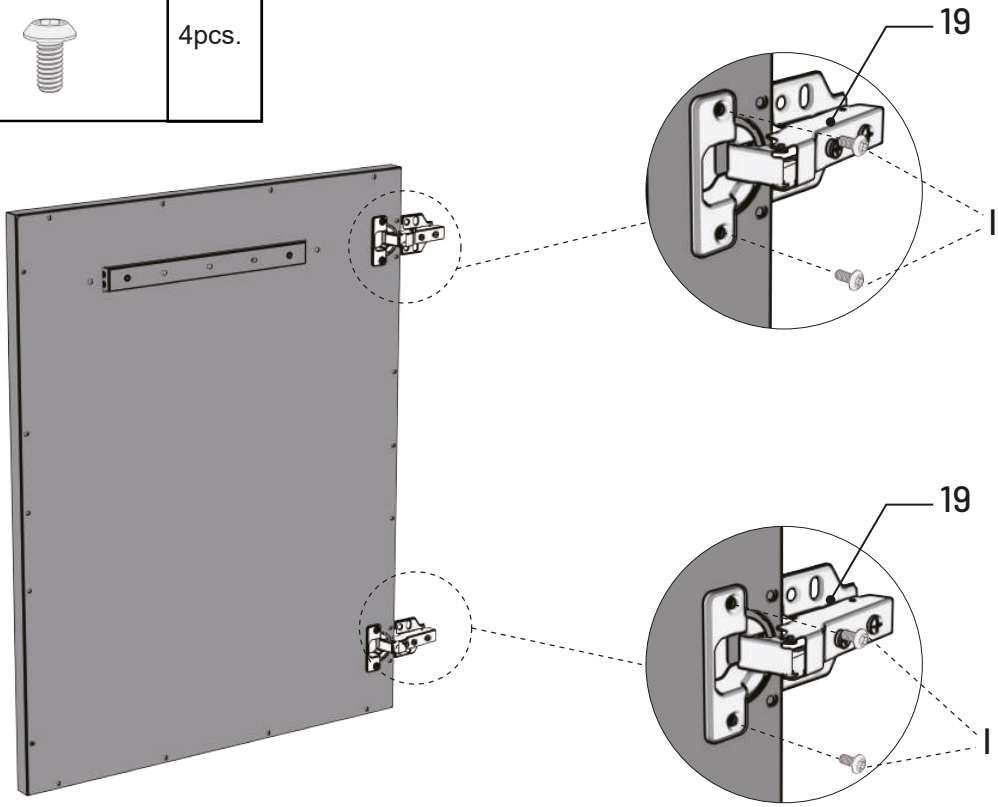
18






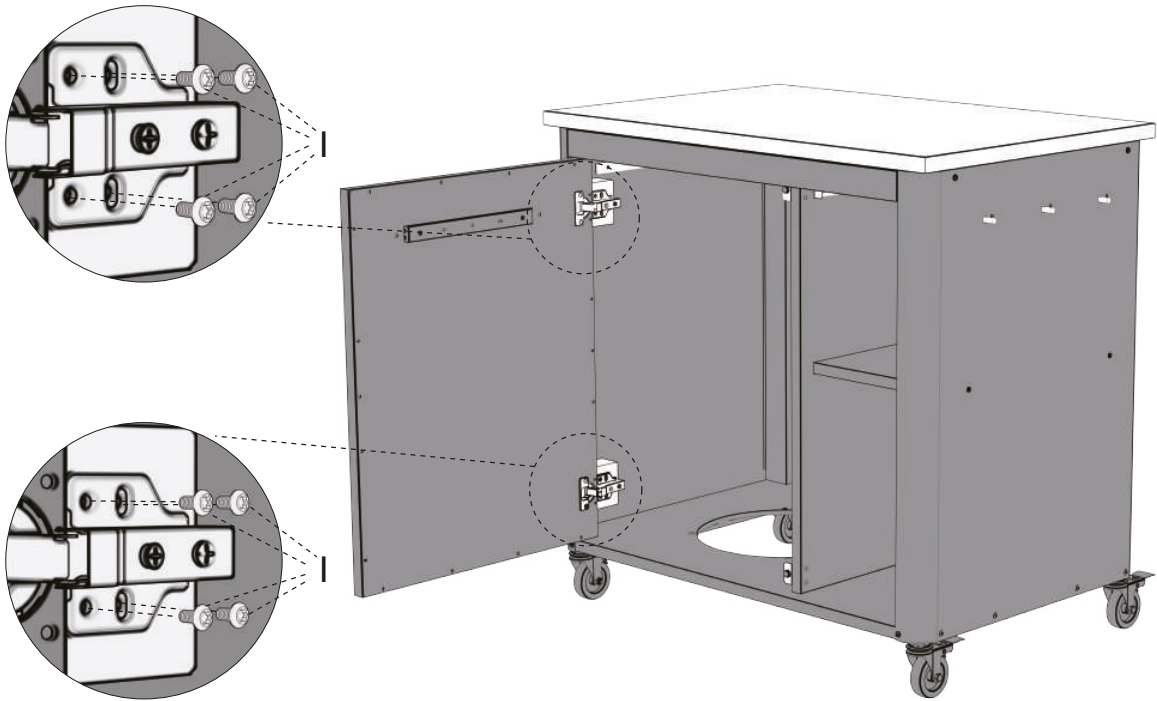
| | | |
|---|--|-------|
| I | M4X8-SS  | 4pcs. |
|---|--|-------|

21

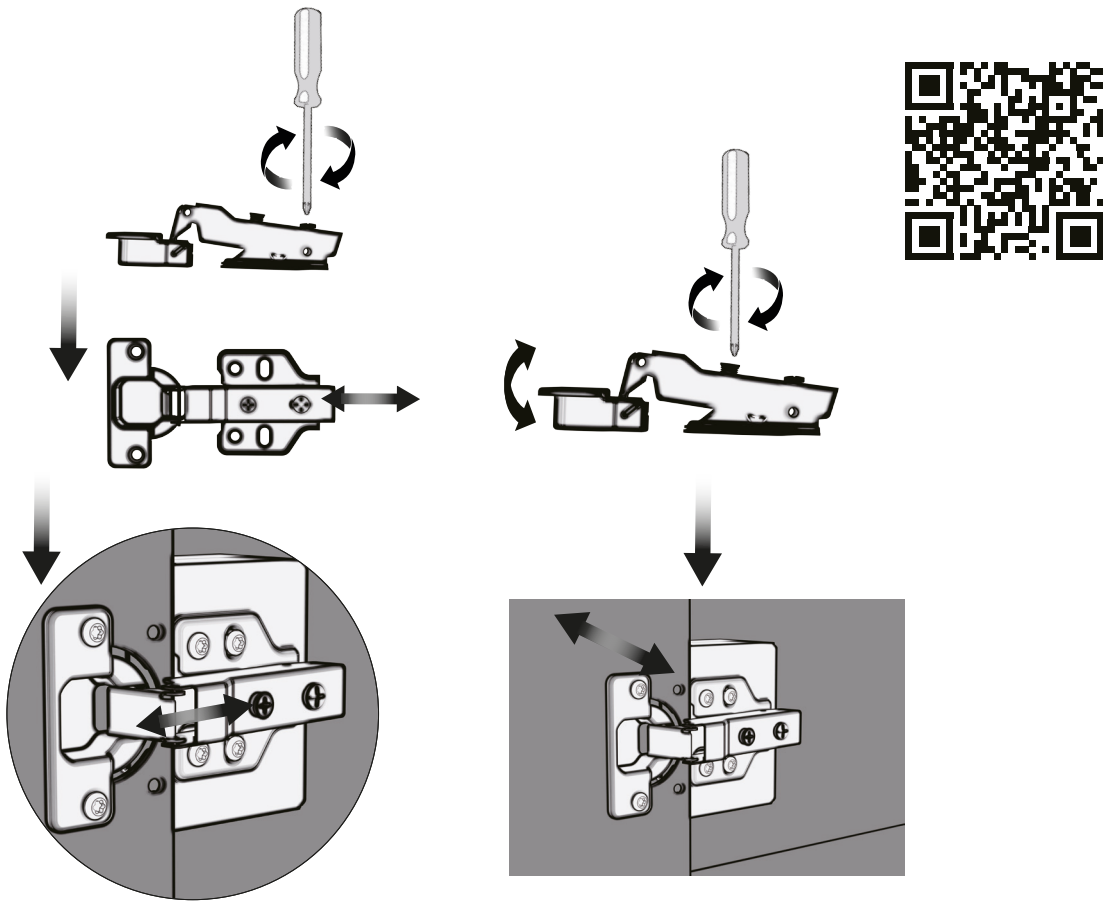


| | | |
|---|--|-------|
| I | M4X8-SS  | 8pcs. |
|---|--|-------|

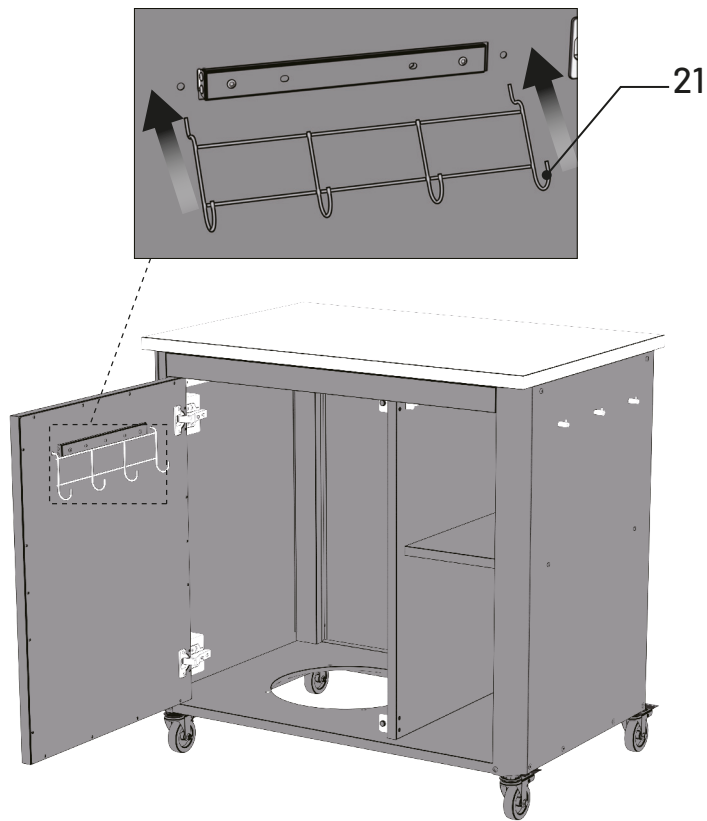
22



23



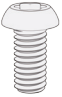

24



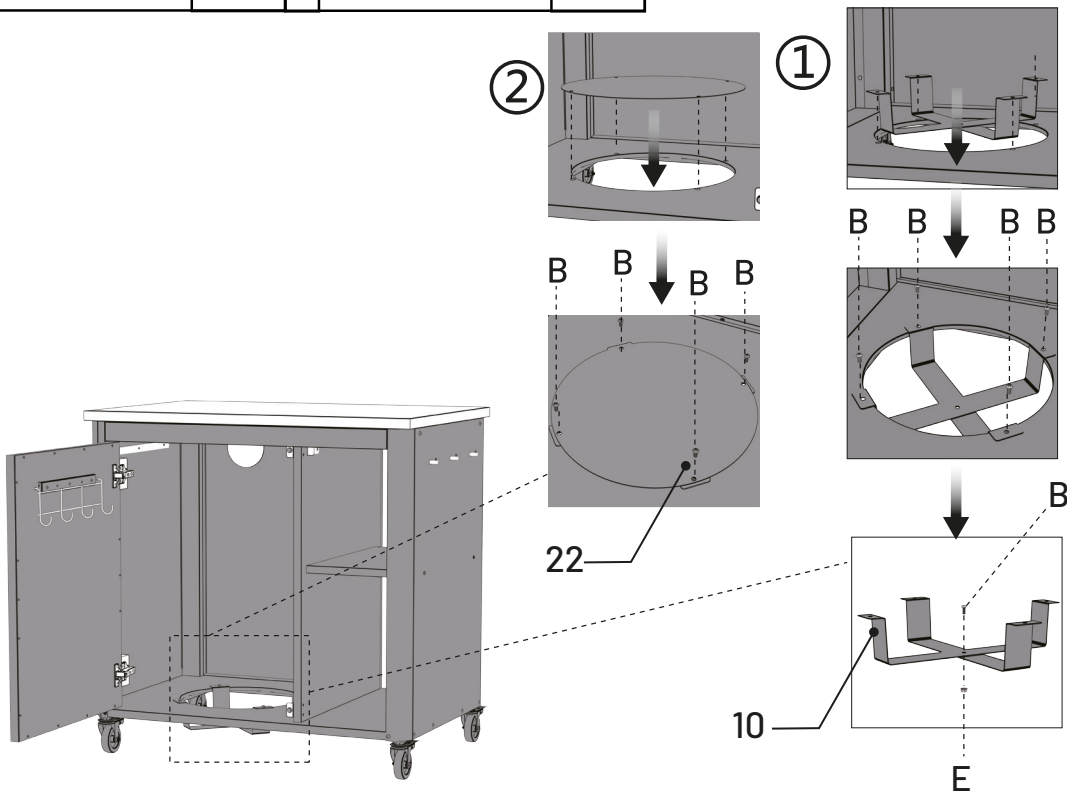
25



OK

| | | | | |
|---|---|-------|----|---|
| | M6X12 | | M6 | |
| B |  | 5pcs. | E |  |
| | | | | 1pc. |

26



OPTION 1



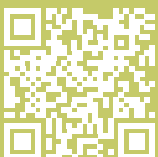
OPTION 2



90527



FIND A VIDEO ON HOW TO
ASSEMBLE YOUR NEW COZZE TABLE AT
[COZZEBBQ.COM/ASSEMBLY](https://cozzebbq.com/assembly):



Manufactured by
Millarco International A/S
Rokhøj 26, 8520 Lystrup - Denmark
millarco.com
cozzebbq.com

cozze[®]