

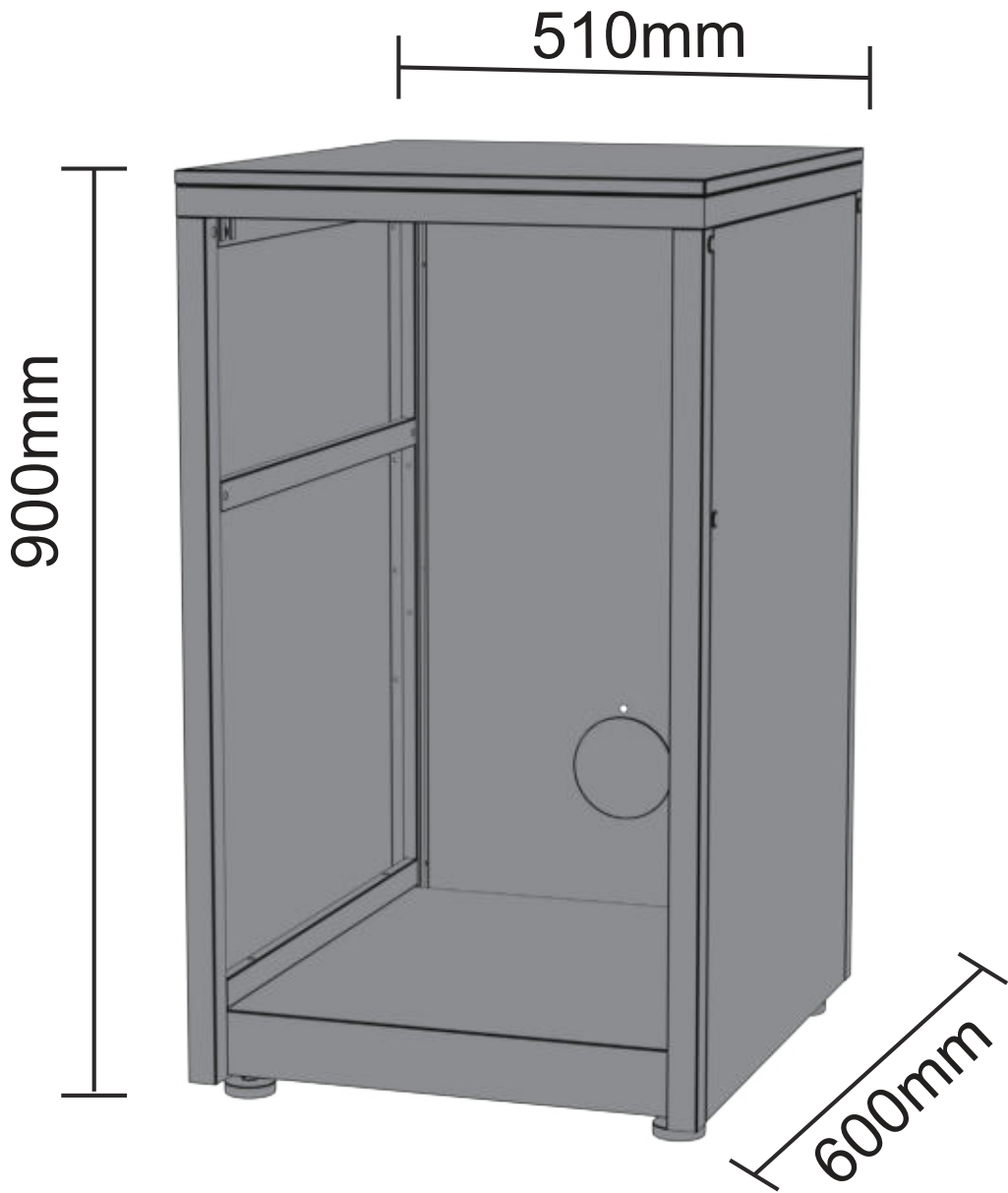
ASSEMBLY INSTRUCTIONS FOR OUTDOOR KITCHEN *Elements* FRIDGE

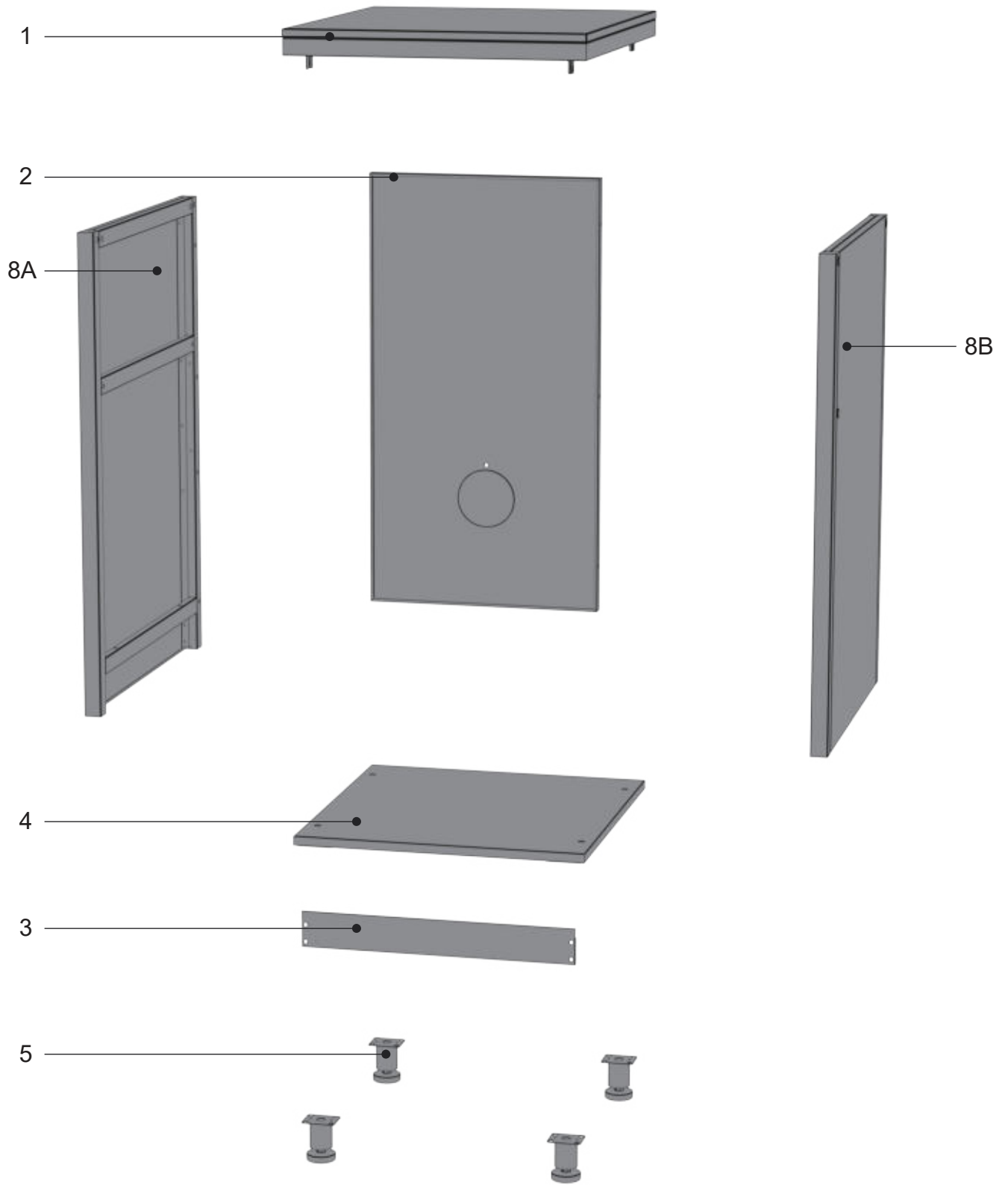









FIND A VIDEO ON HOW TO
ASSEMBLE THE OUTDOOR KITCHEN AT
COZZEBBQ.COM/ASSEMBLY



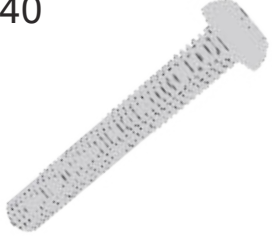




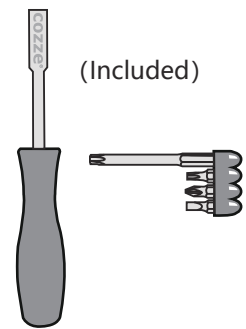
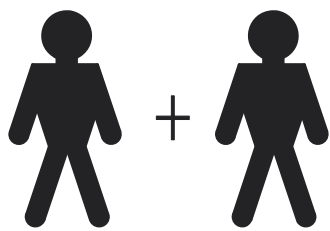
cozze[®]






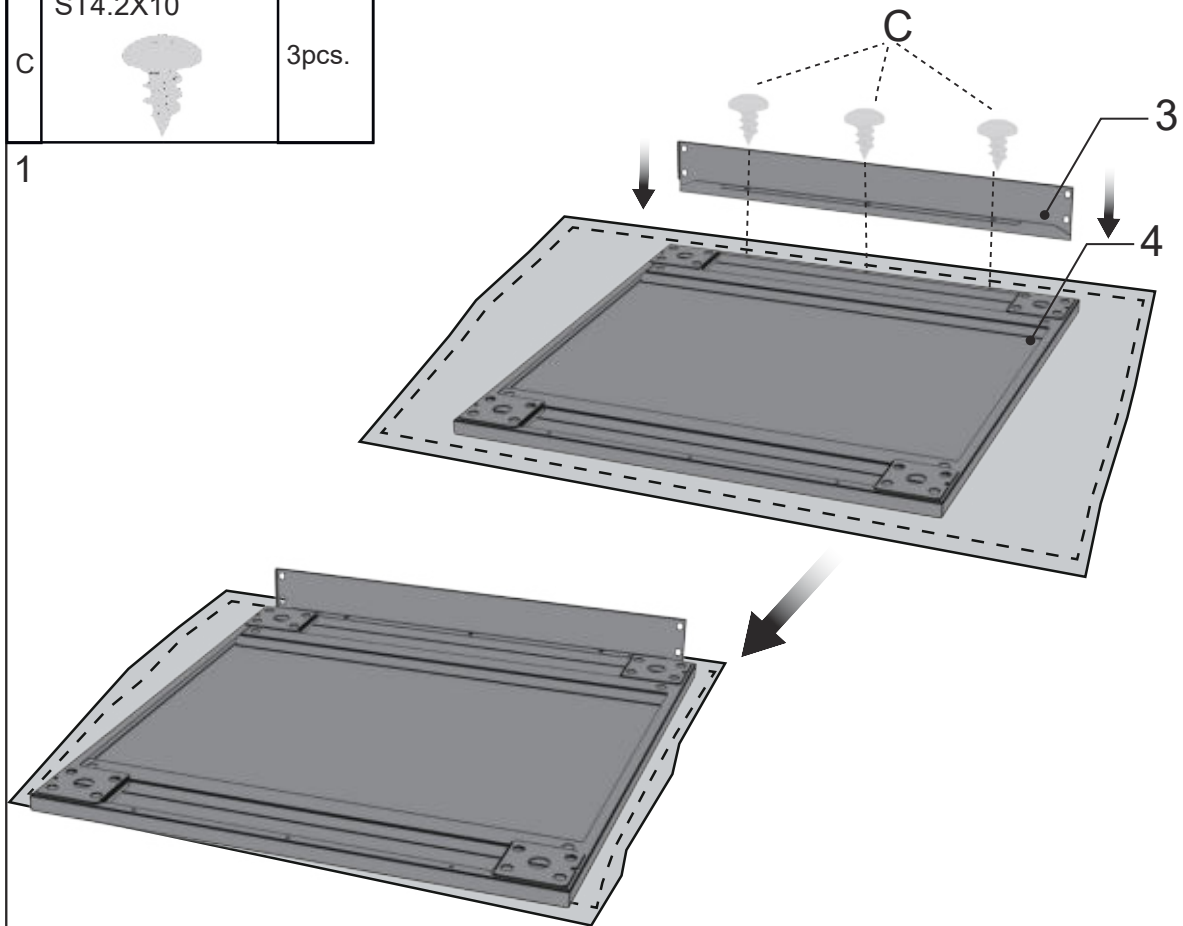
1	independent unit, tabletop 	1pc.	3		1pc.
2		1pc.	4		1pc.
8A		1pc.	5		4pcs.
8B		1pc.			


A	M6X12 	16pcs.	F	M4X8 	4pcs.
B	M6X40 	4pcs.	J	M6X12-SS 	4pcs.
C	ST4.2X10 	7pcs.			



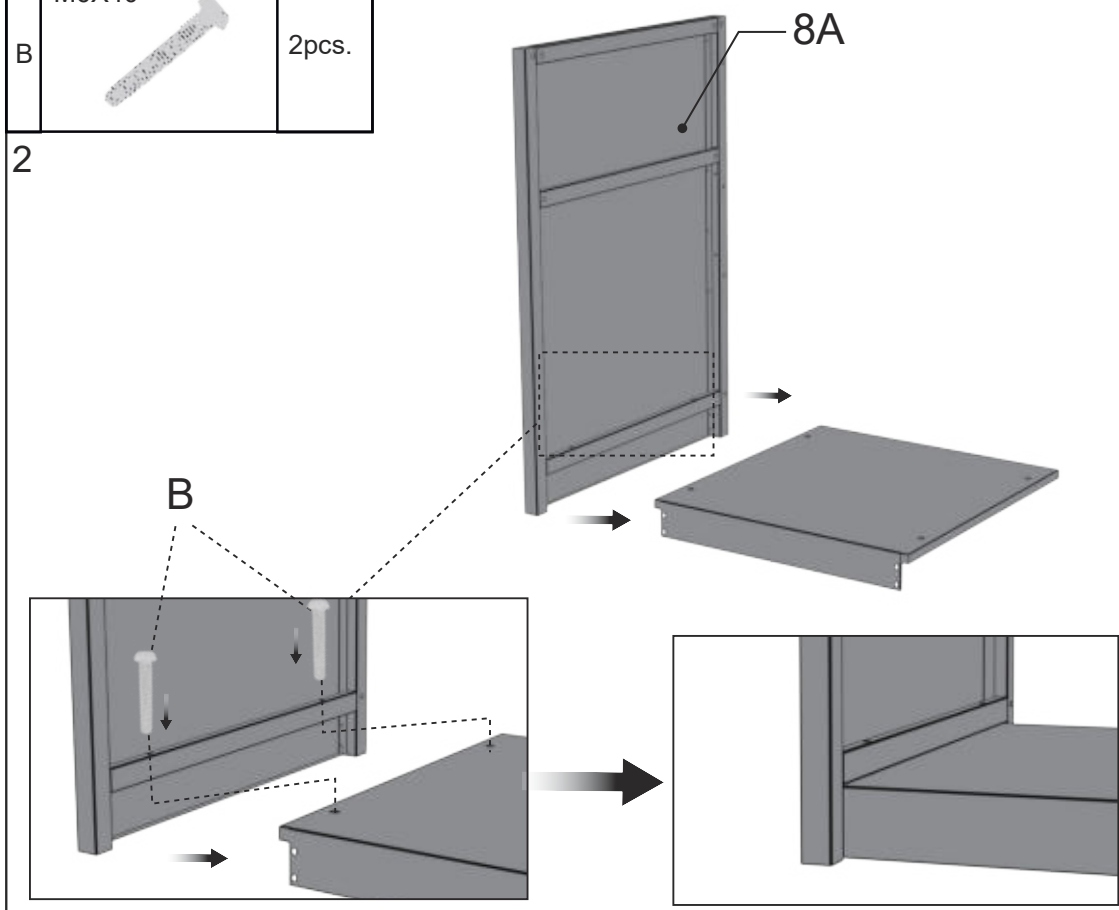
C	ST4.2X10 	3pcs.
---	---	-------

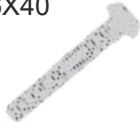
1



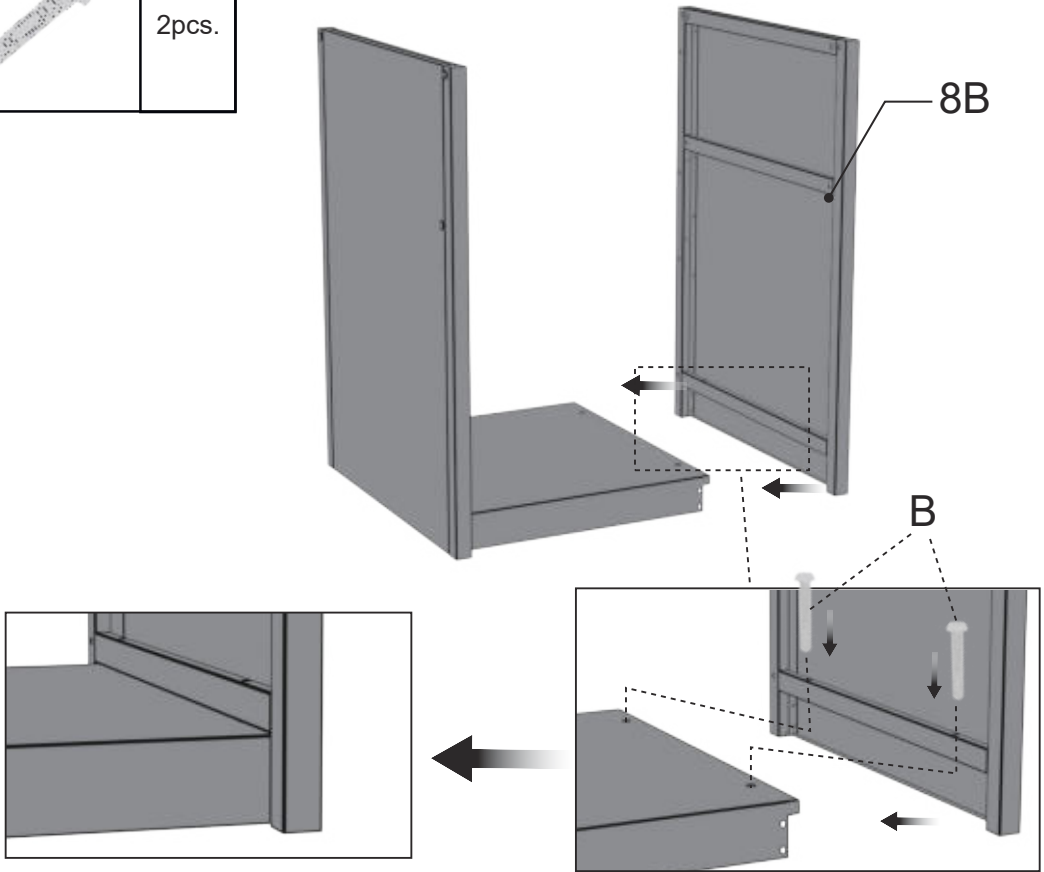
B	M6X40 	2pcs.
---	--	-------


2



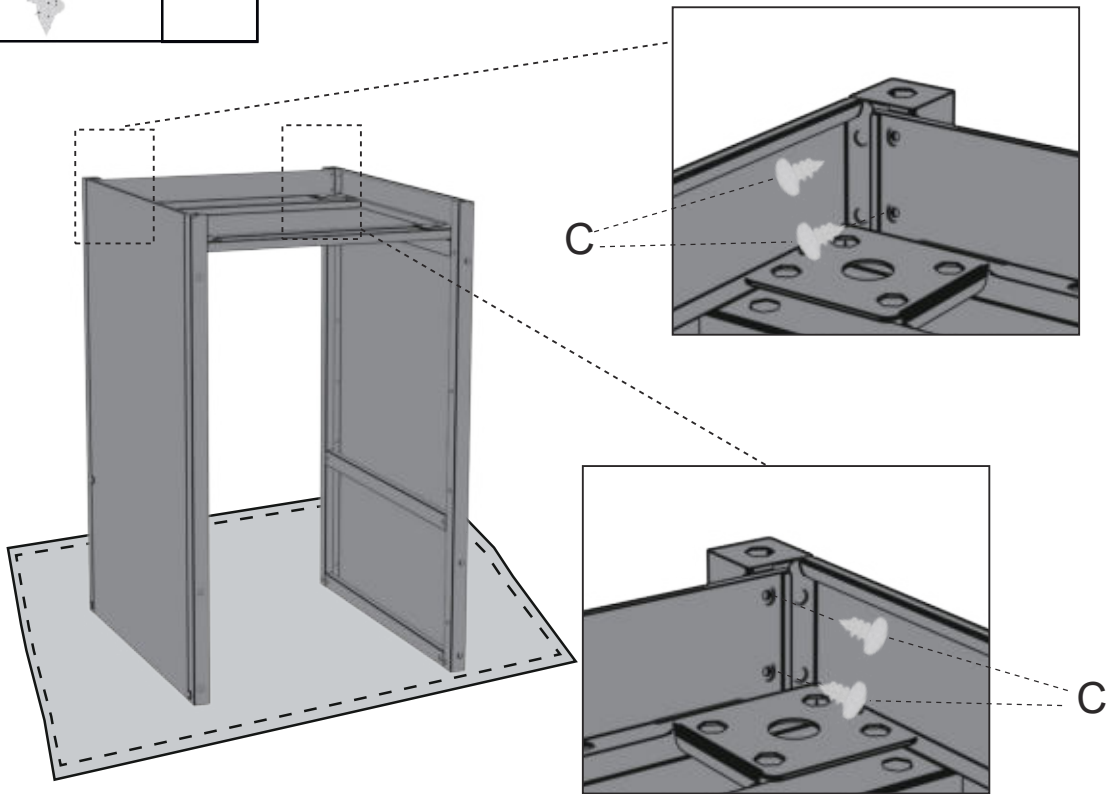
B	 M6X40	2pcs.
---	---	-------

3



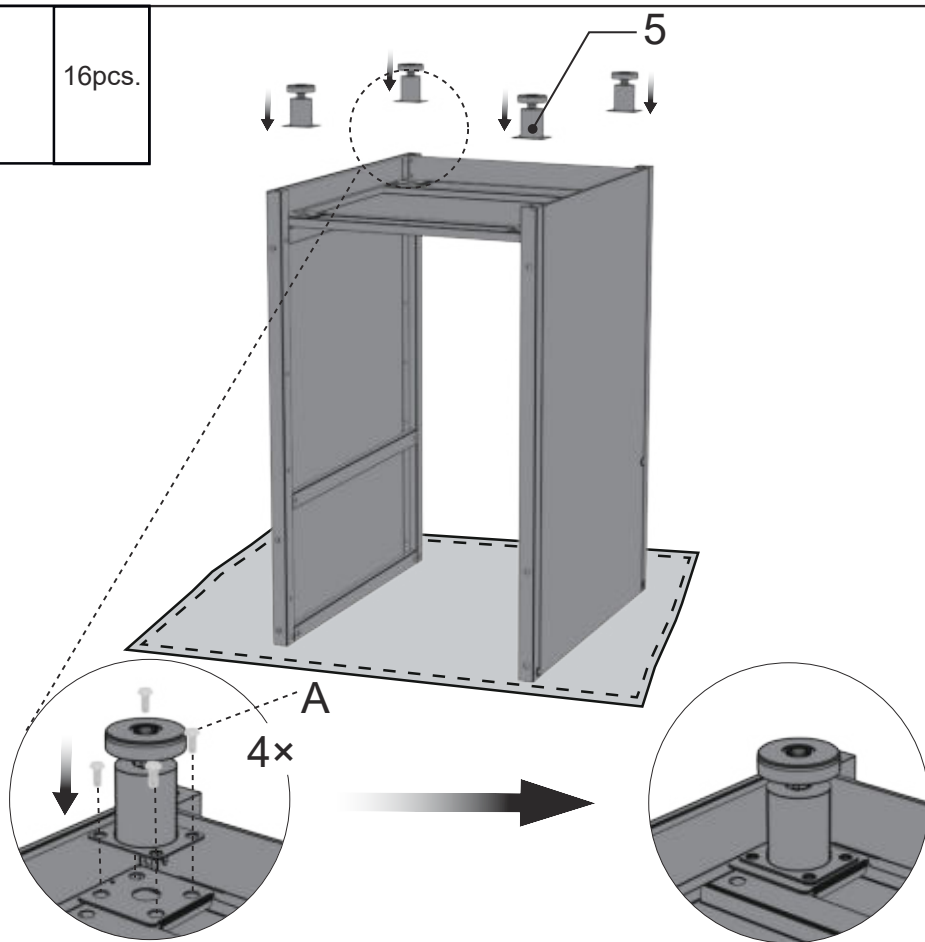
C	 ST4.2X10	4pcs.
---	--	-------


4



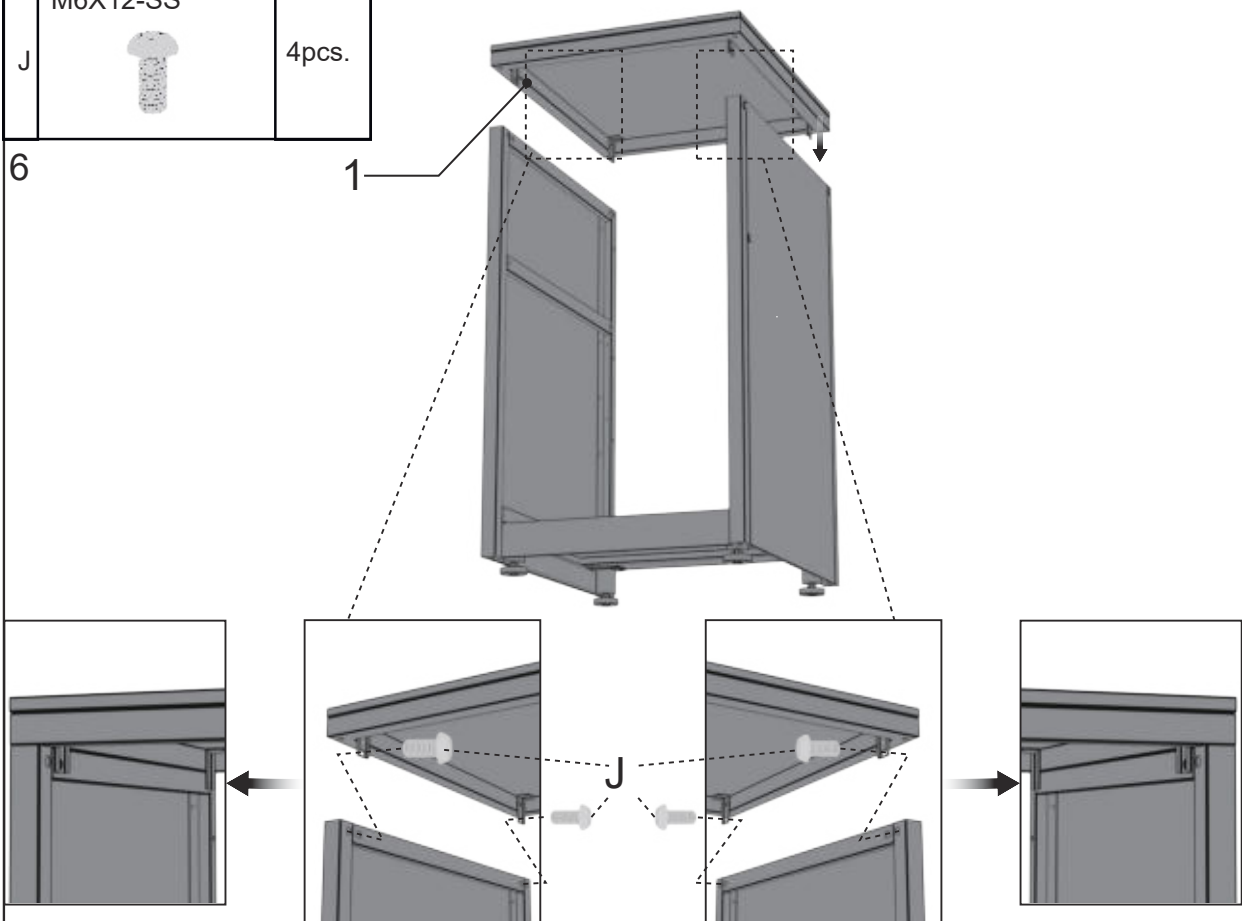
A	M6X12 	16pcs.
---	--	--------

5



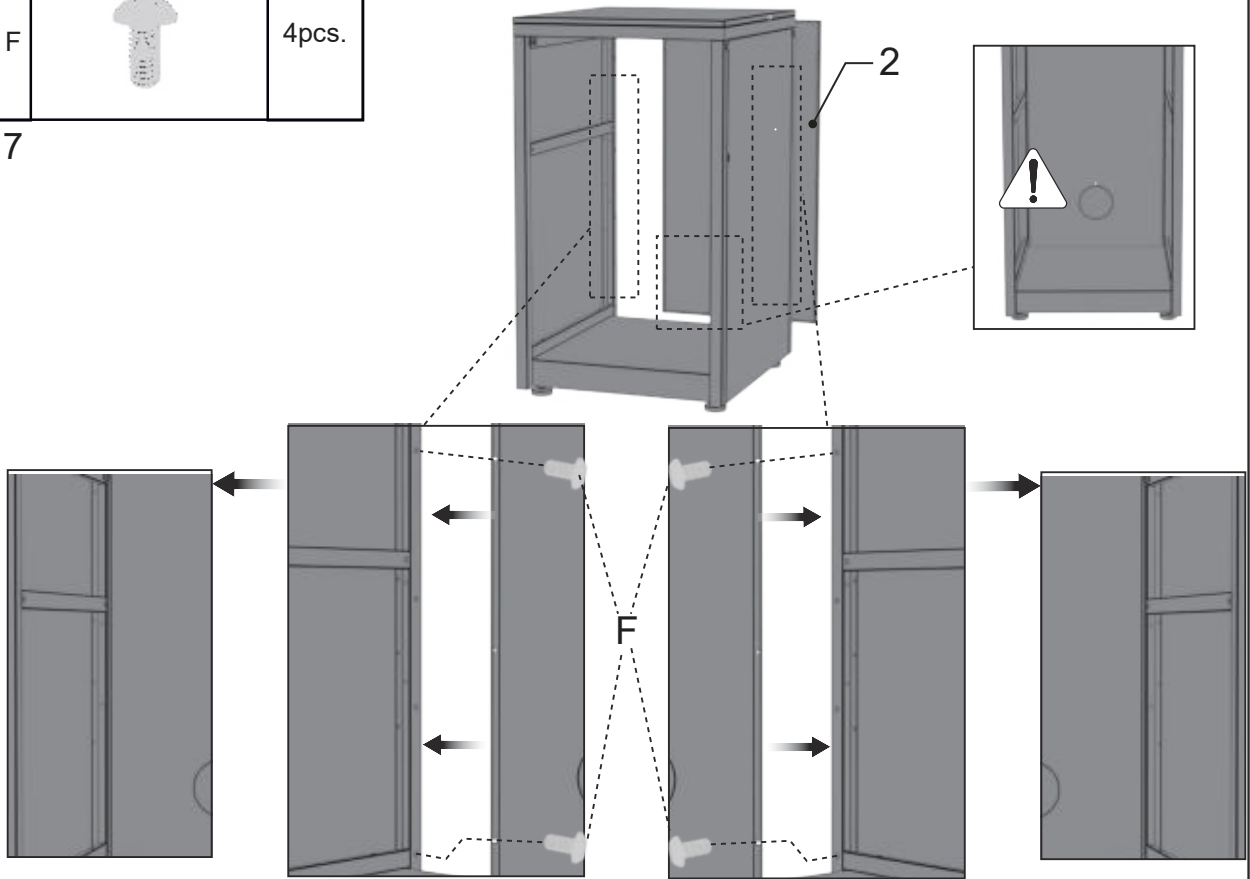
J	M6X12-SS 	4pcs.
---	---	-------

6

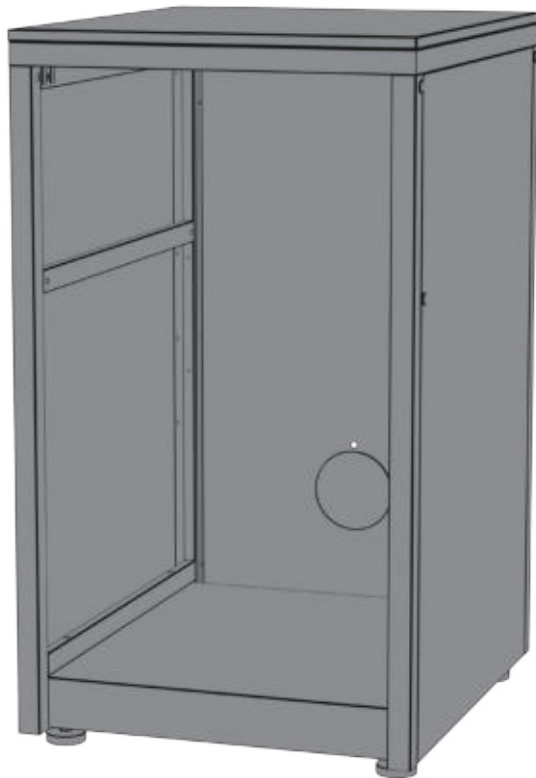


F	M4X8 	4pcs.
---	---	-------

7



8



OK





FIND MORE INSPIRATION
AT COZZEBBQ.COM



Manufactured by
Millarco International A/S
Rokhøj 26, 8520 Lystrup - Denmark
www.millarco.com
www.cozzebbq.com



cozze[®]