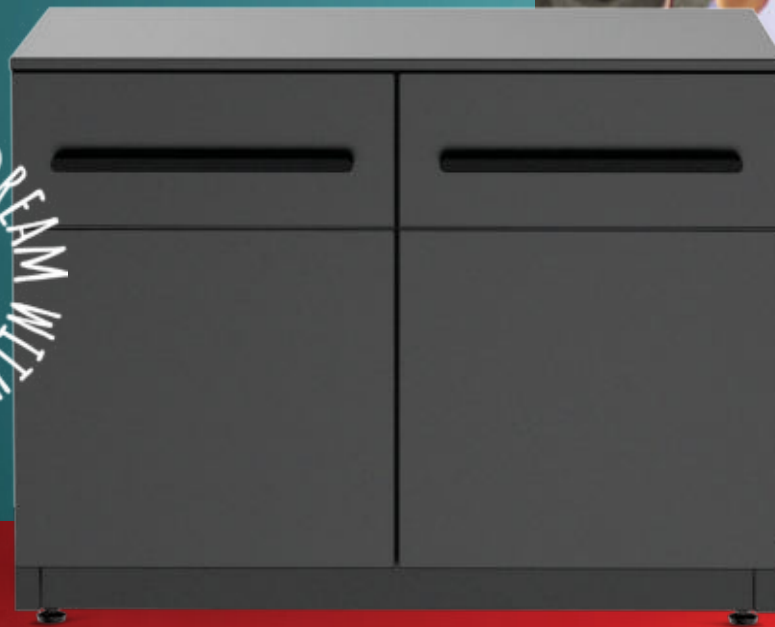
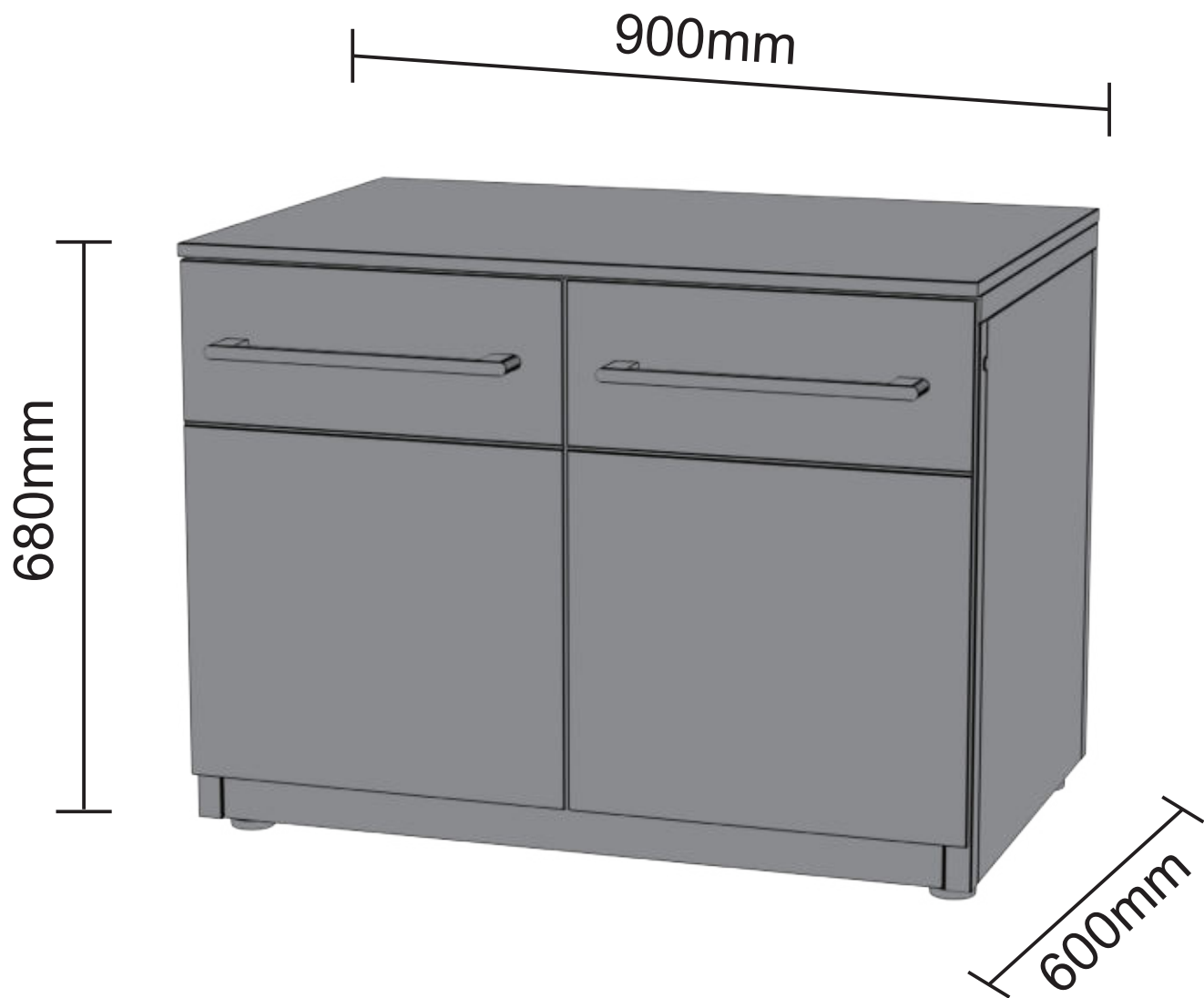


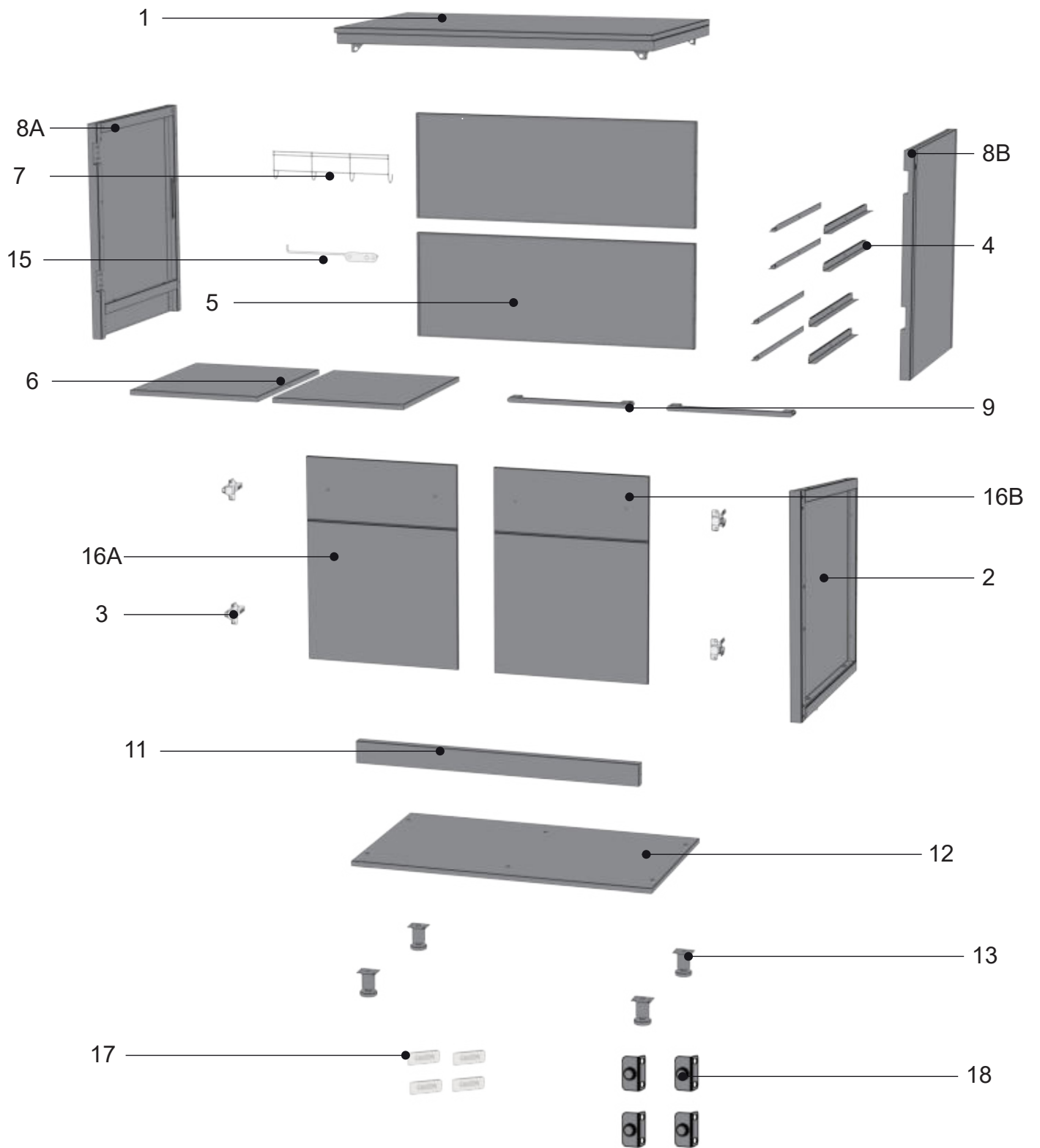
ASSEMBLY INSTRUCTIONS FOR OUTDOOR KITCHEN *Elements* BARBECUING





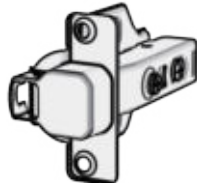















FIND A VIDEO ON HOW TO
ASSEMBLE THE OUTDOOR KITCHEN AT
COZZEBBQ.COM/ASSEMBLY


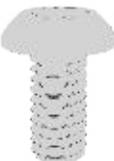
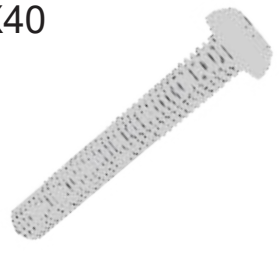





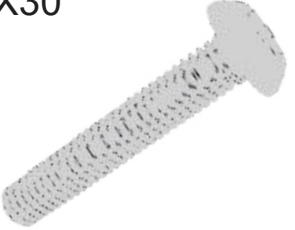


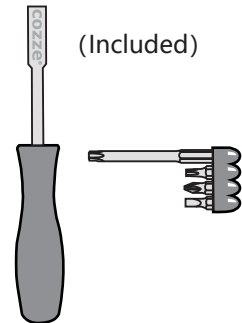
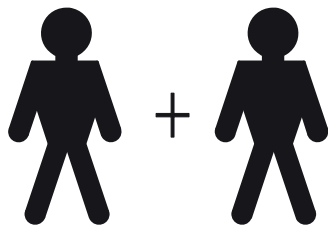


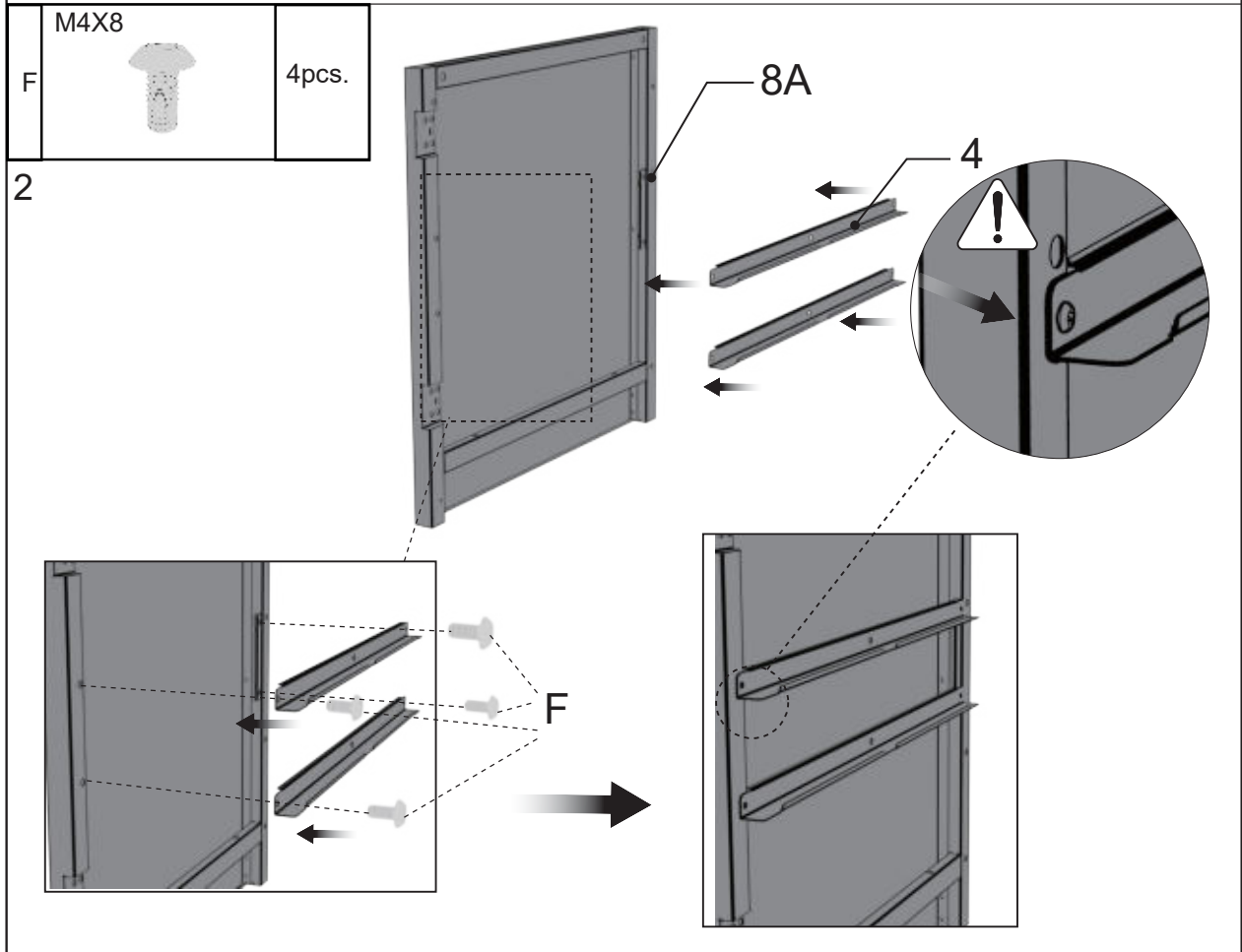
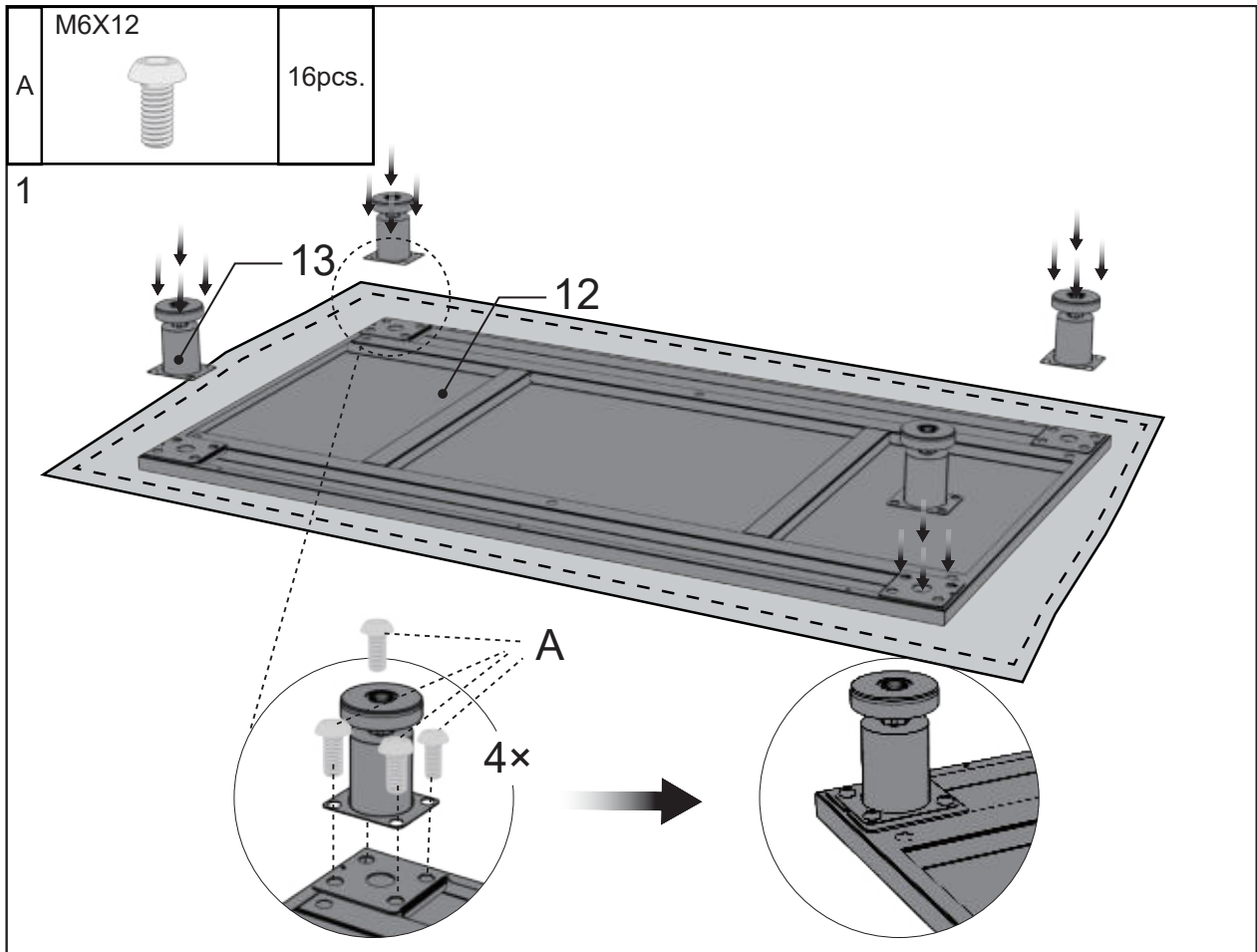



	independent unit, tabletop				
1		1pc.	7		1pc.
2		1pc.	8A		1pc.
3		4pcs.	8B		1pc.
4		8pcs.	9		2pcs.
5		2pcs.	11		1pc.
6		2pcs.	12		1pc.

13		4pcs.	16B	Right 	1pc.
15		1pc.	17		4pcs.
16A	Left 	1pc.	18		4pcs.

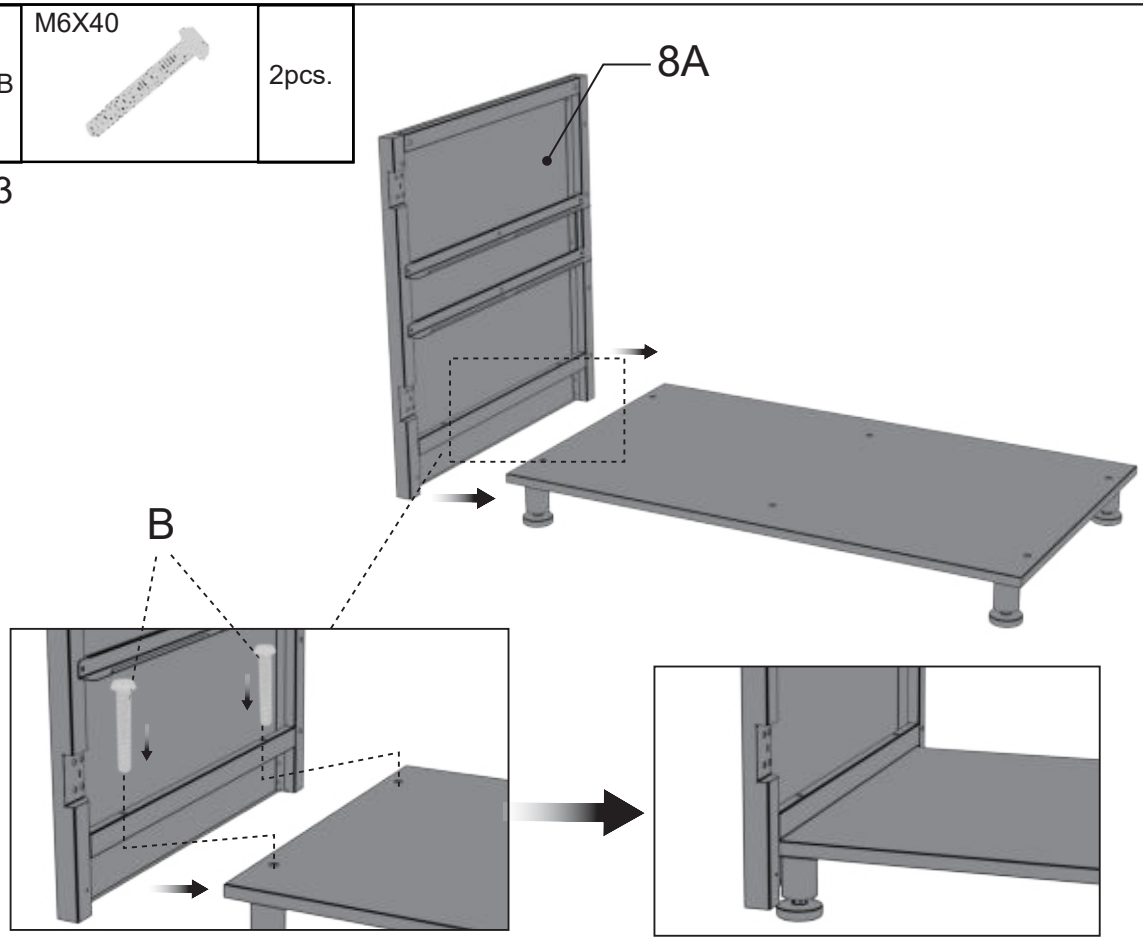
A	M6X12 	16pcs.	F	M4X8 	32pcs.
B	M6X40 	8pcs.	J	M6X12-SS 	4pcs.
C	ST4.2X10 	5pcs.	L	M4X12-SS 	26pcs.
K	$\Phi 13 * \Phi 4.5$ 	2pcs.	D	$\Phi 16 * \Phi 6.5$ 	4pcs.
I	M4X30 	4pcs.			





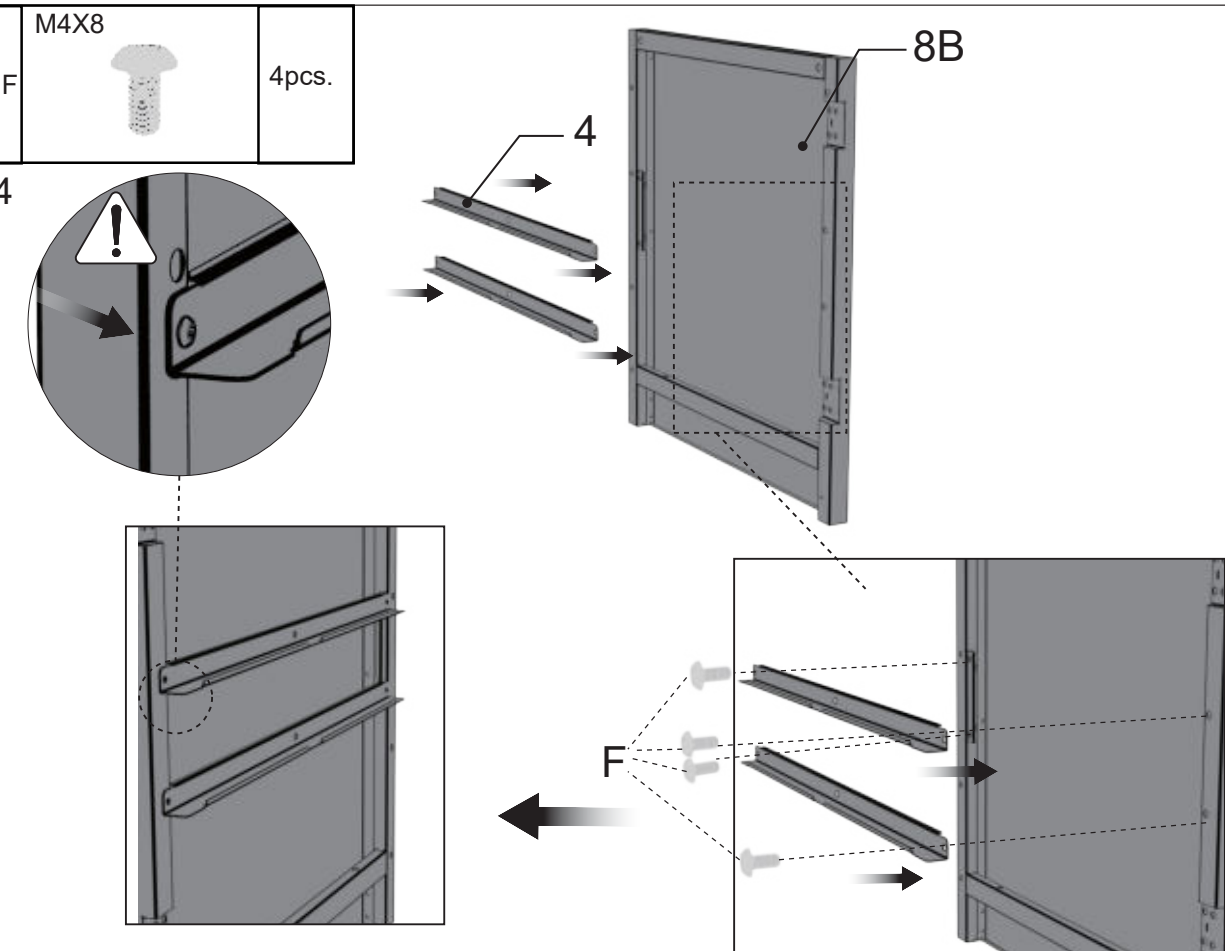
B	M6X40 	2pcs.
---	--	-------

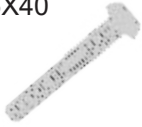
3

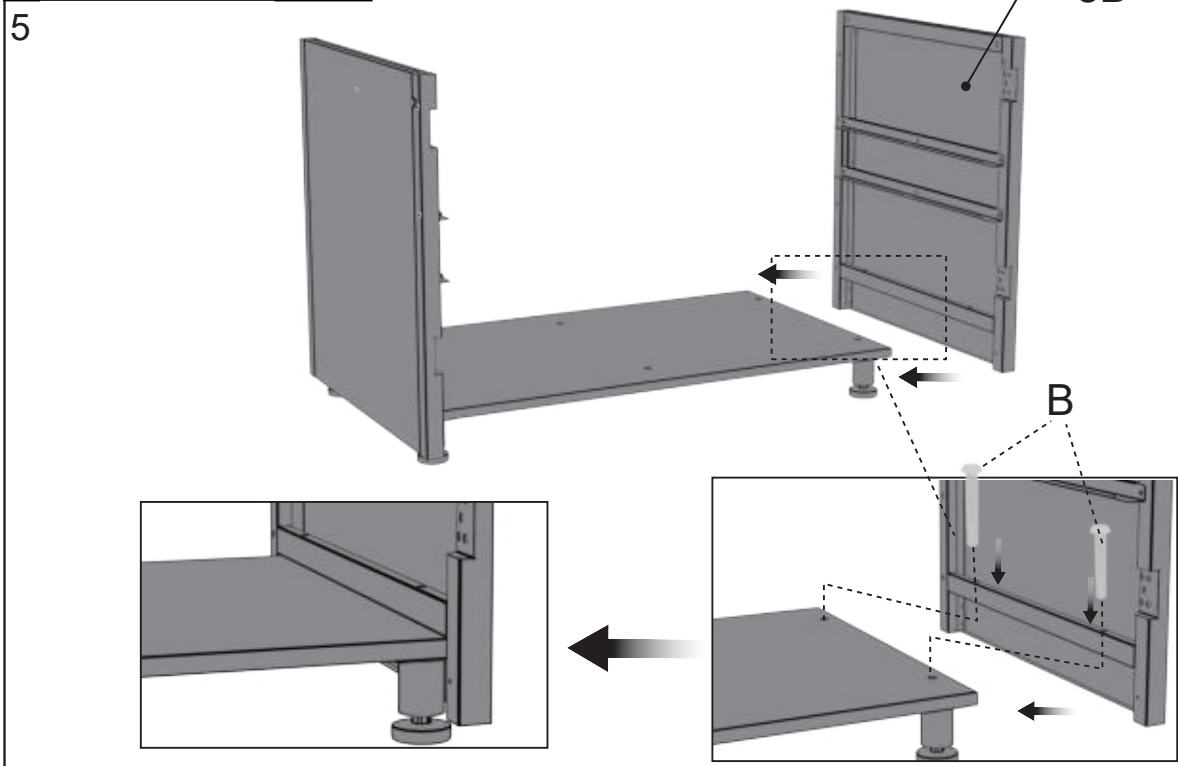


F	M4X8 	4pcs.
---	---	-------

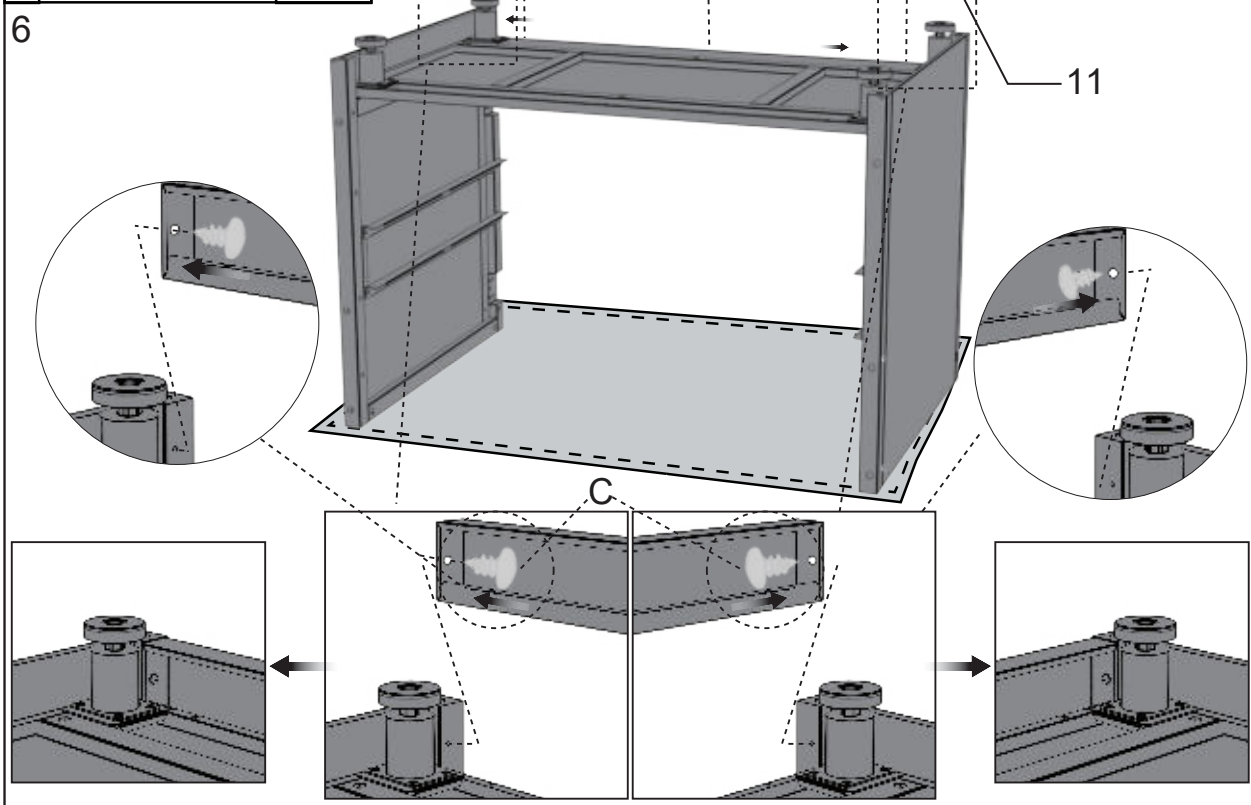
4

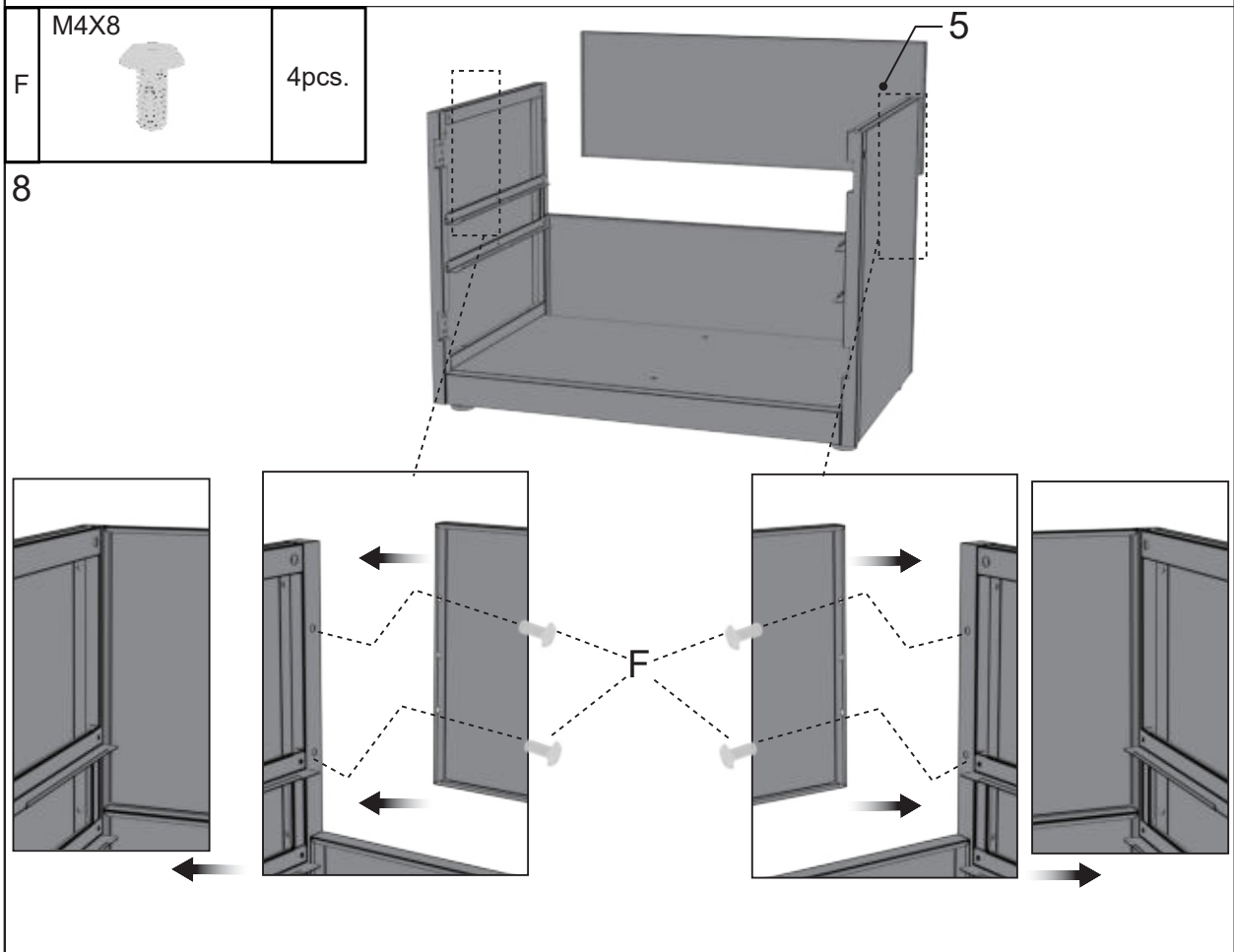
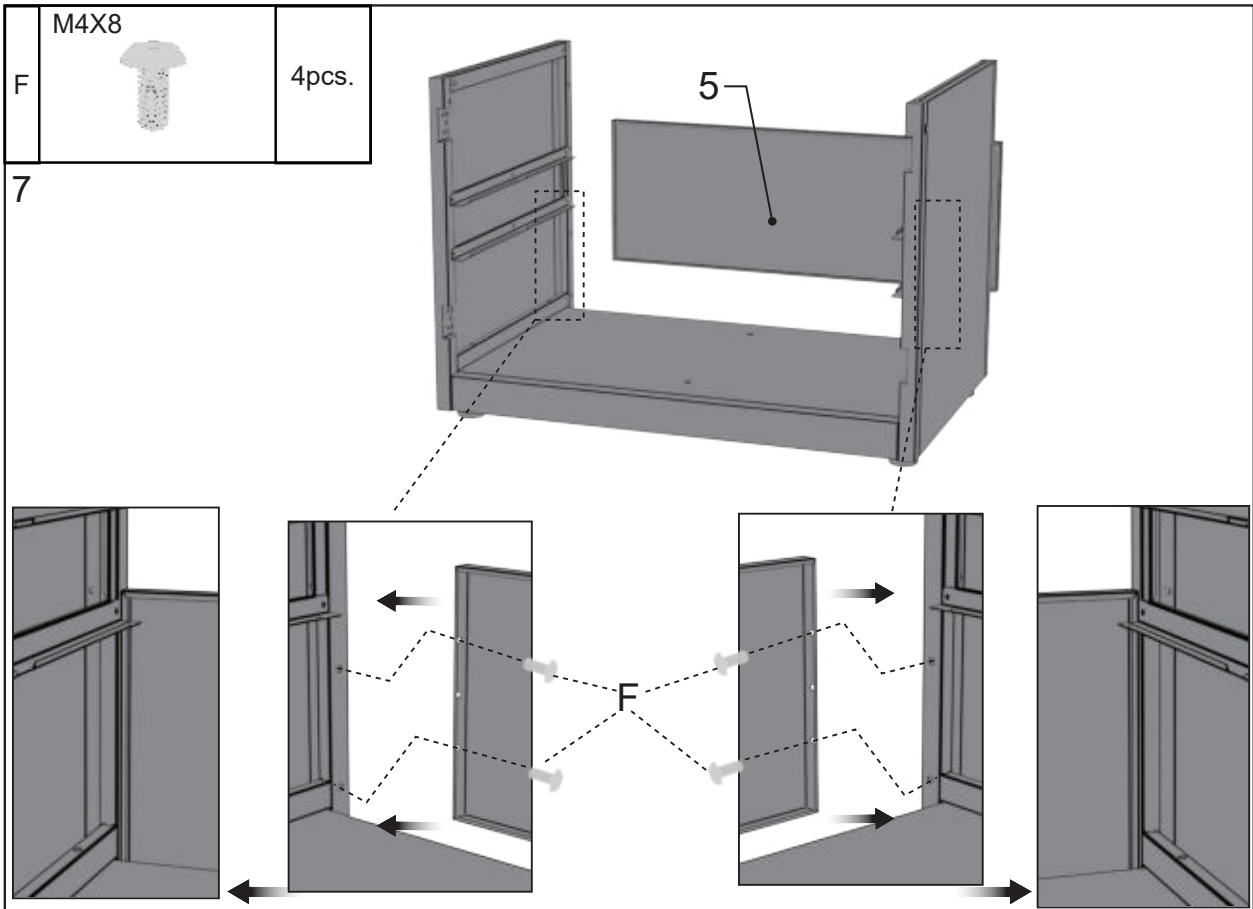


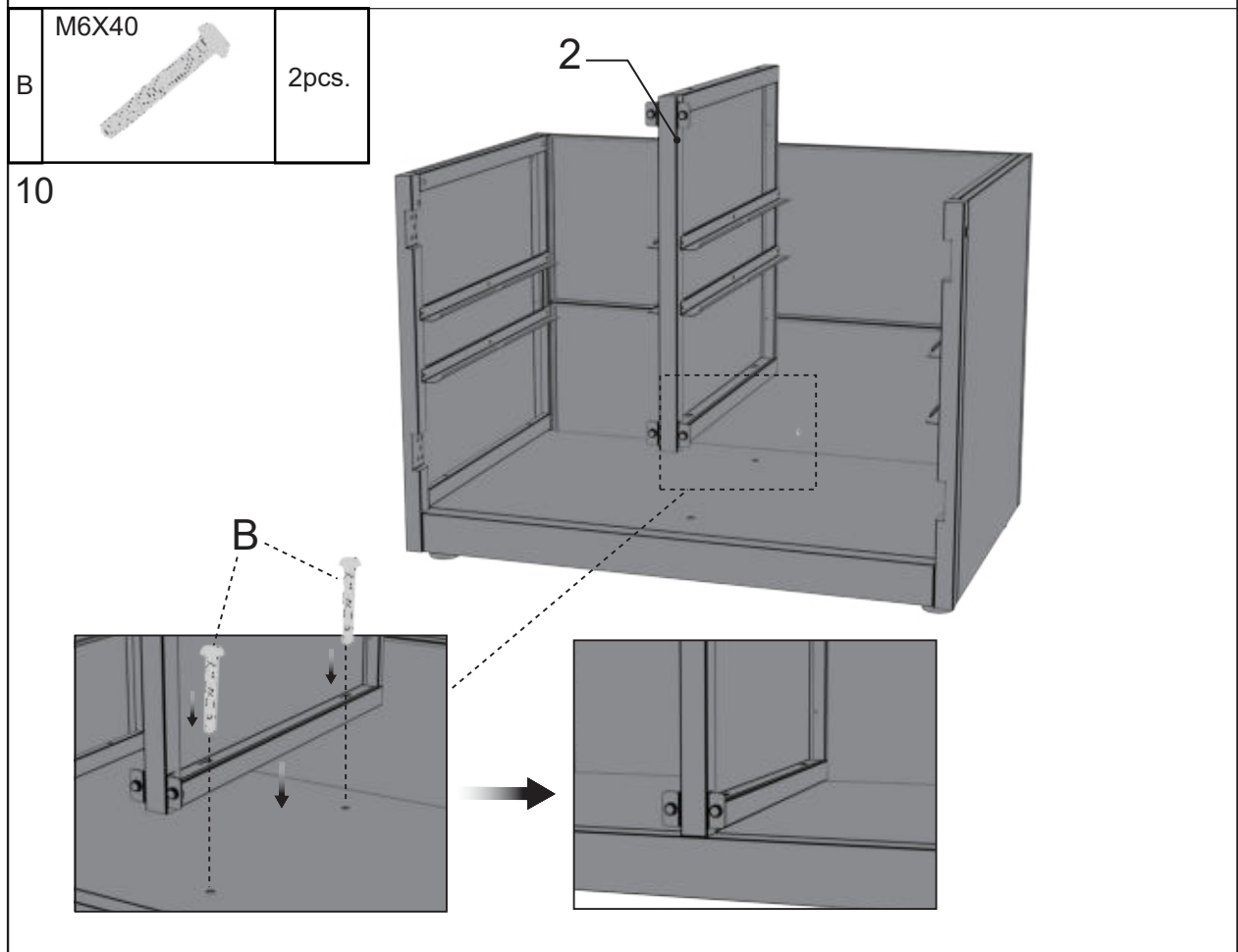
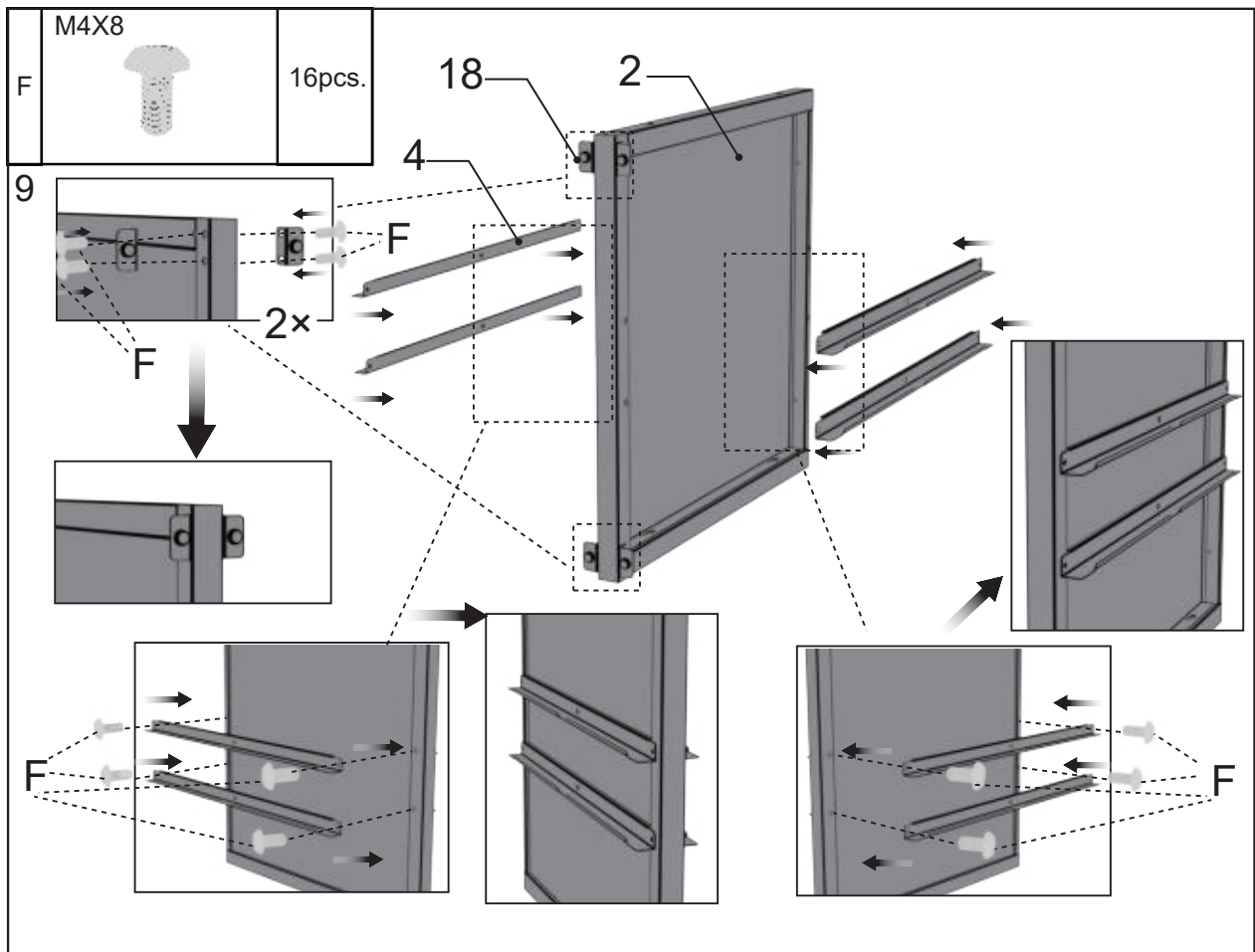
B	 <p>M6X40</p>	2pcs.
---	--	-------


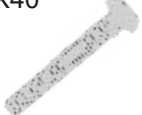



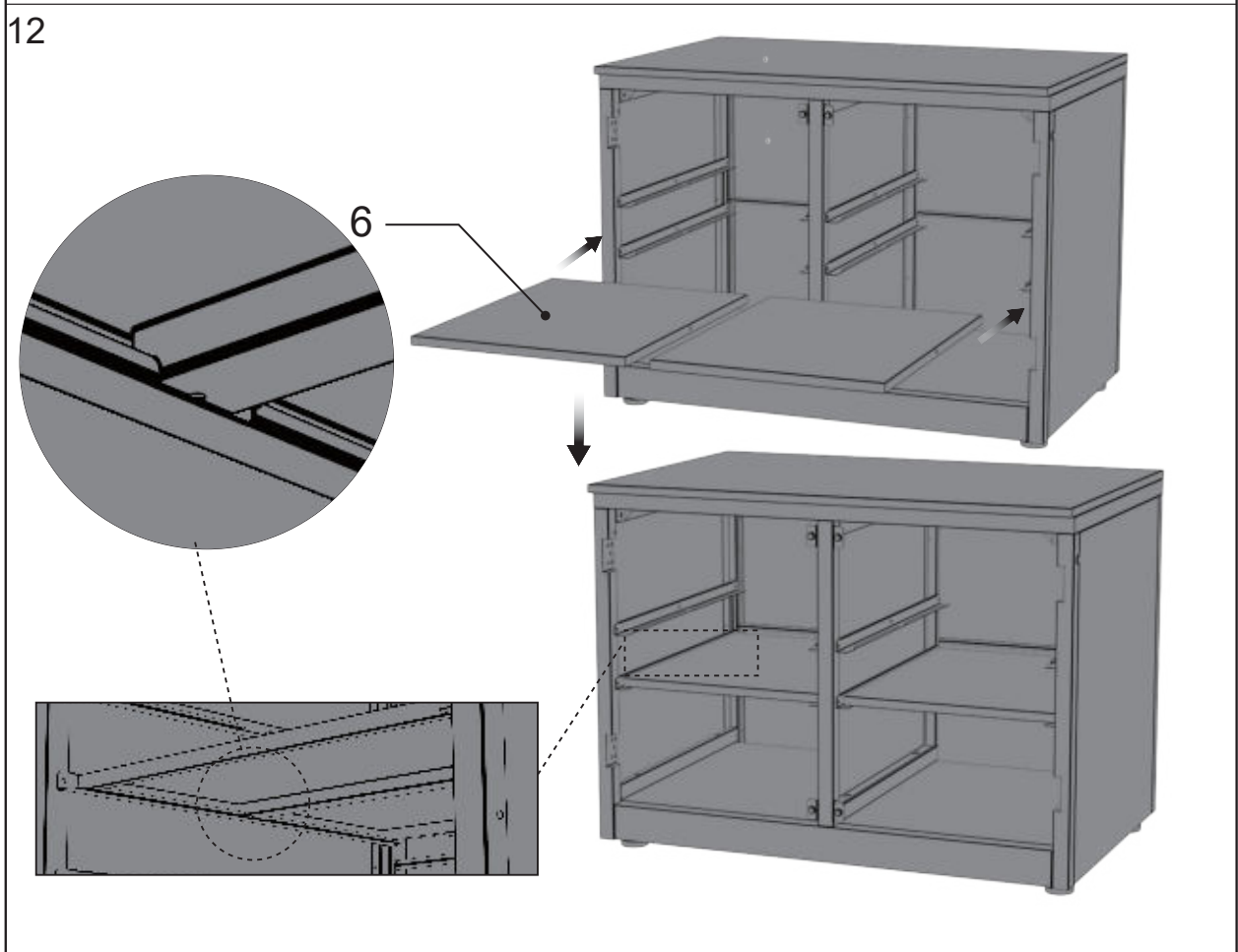
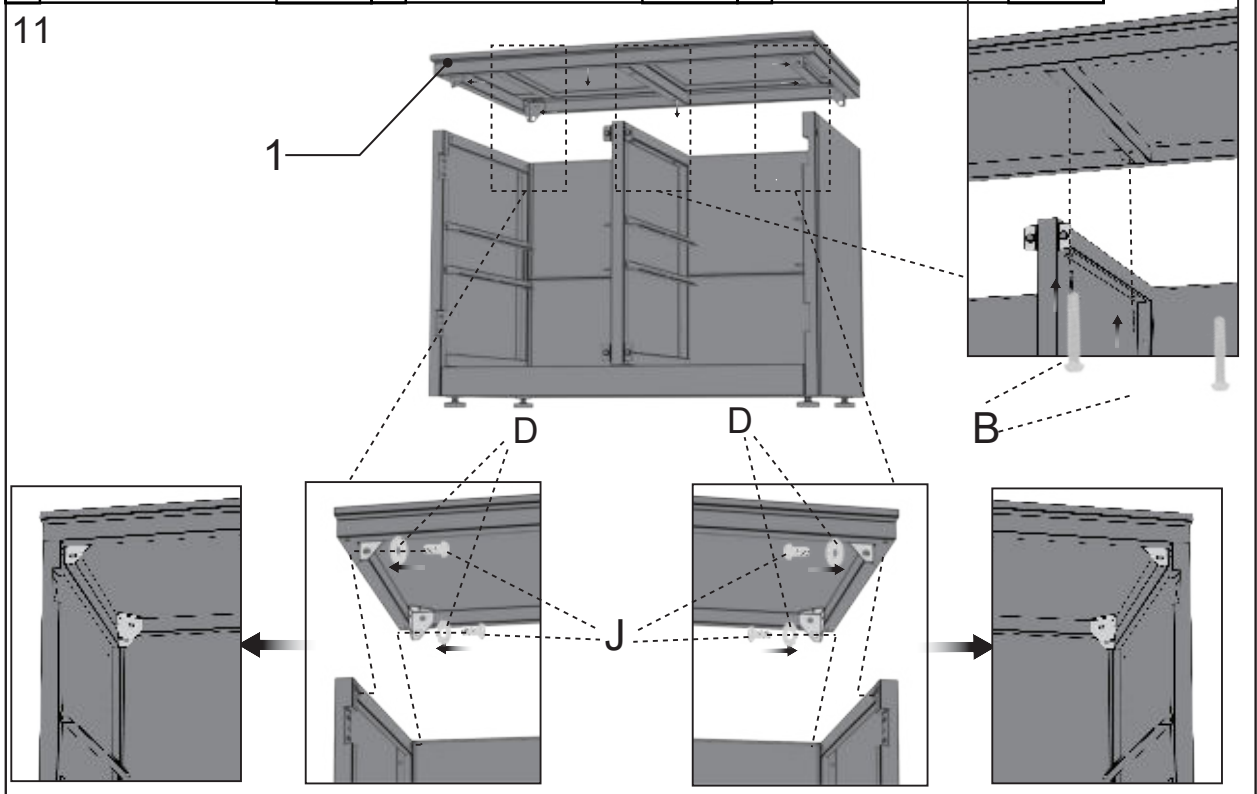
C	 <p>ST4.2X10</p>	5pcs.
---	---	-------

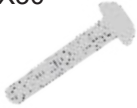





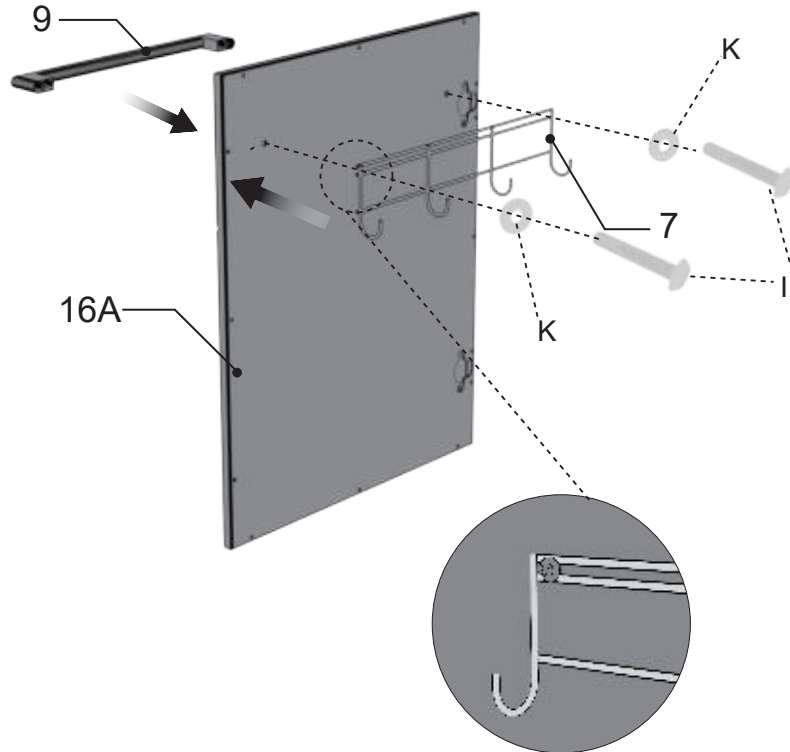


J	M6X12-SS 	4pcs.	B	M6X40 	2pcs.	D	$\phi 16 \times \phi 6.5$ 	4pcs.
---	---	-------	---	--	-------	---	--	-------



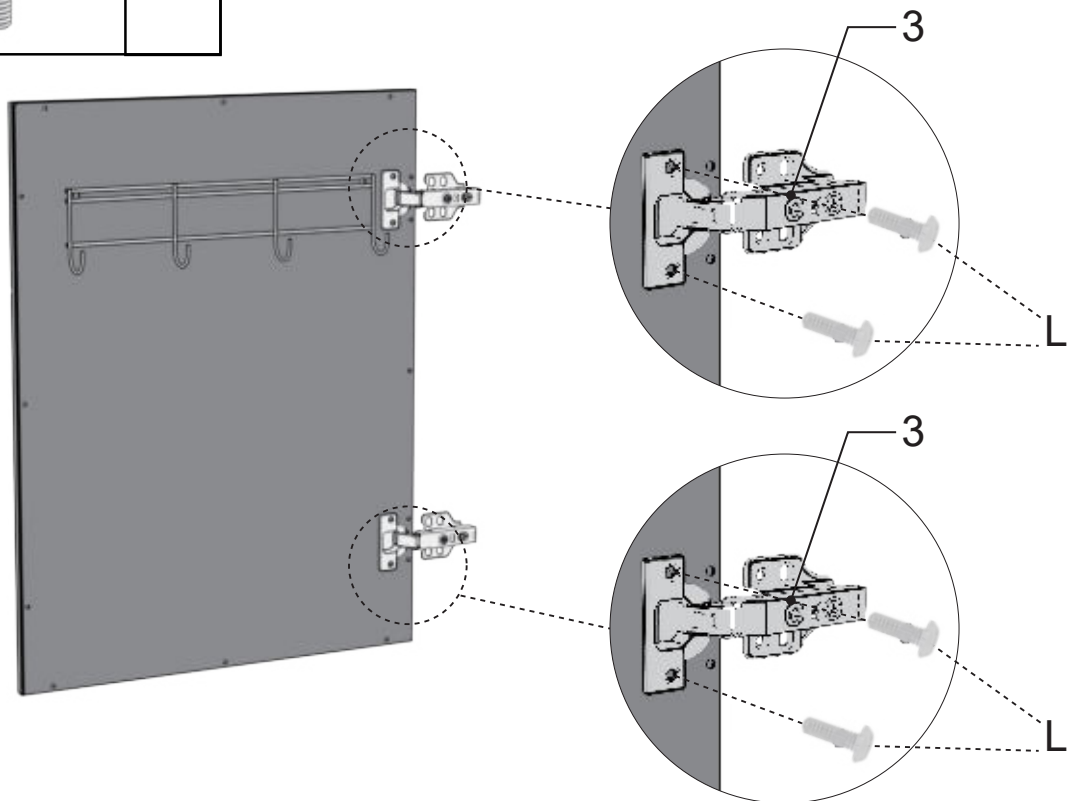
I	M4X30 	2pcs.	K	$\phi 13 * \phi 4.5$ 	2pcs.
---	--	-------	---	---	-------

13



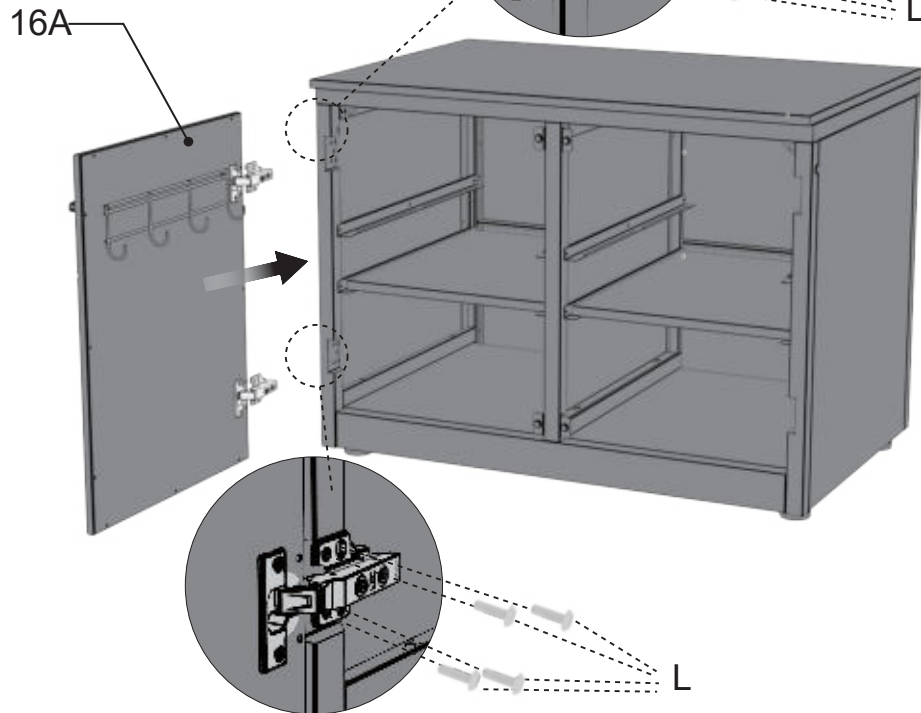
L	M4X12-SS 	4pcs.
---	---	-------



14



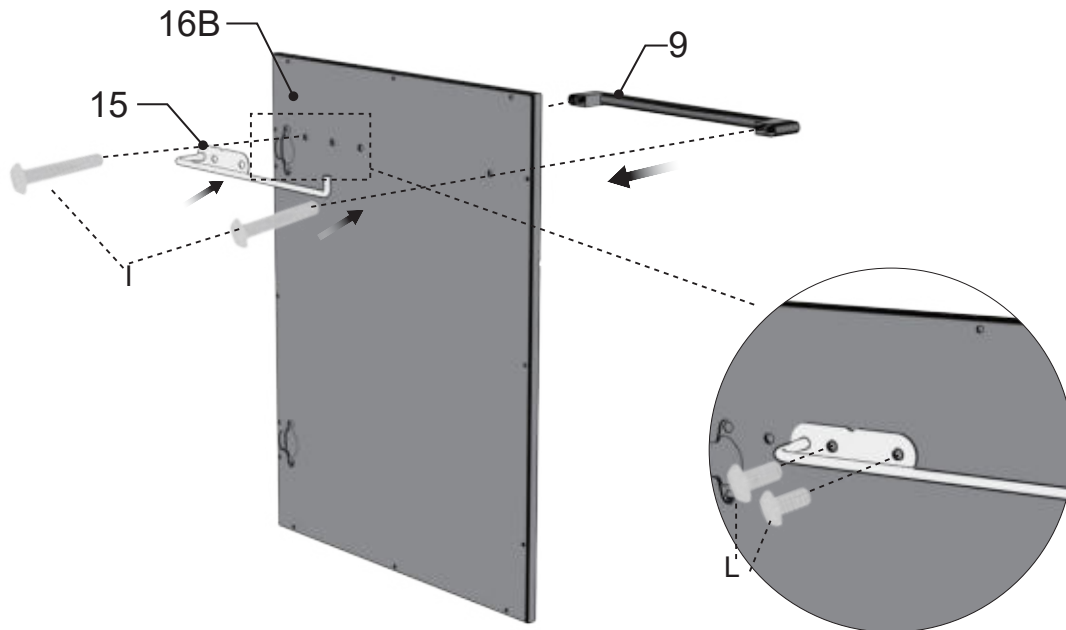
L	M4X12-SS 	8pcs.
---	---	-------

15

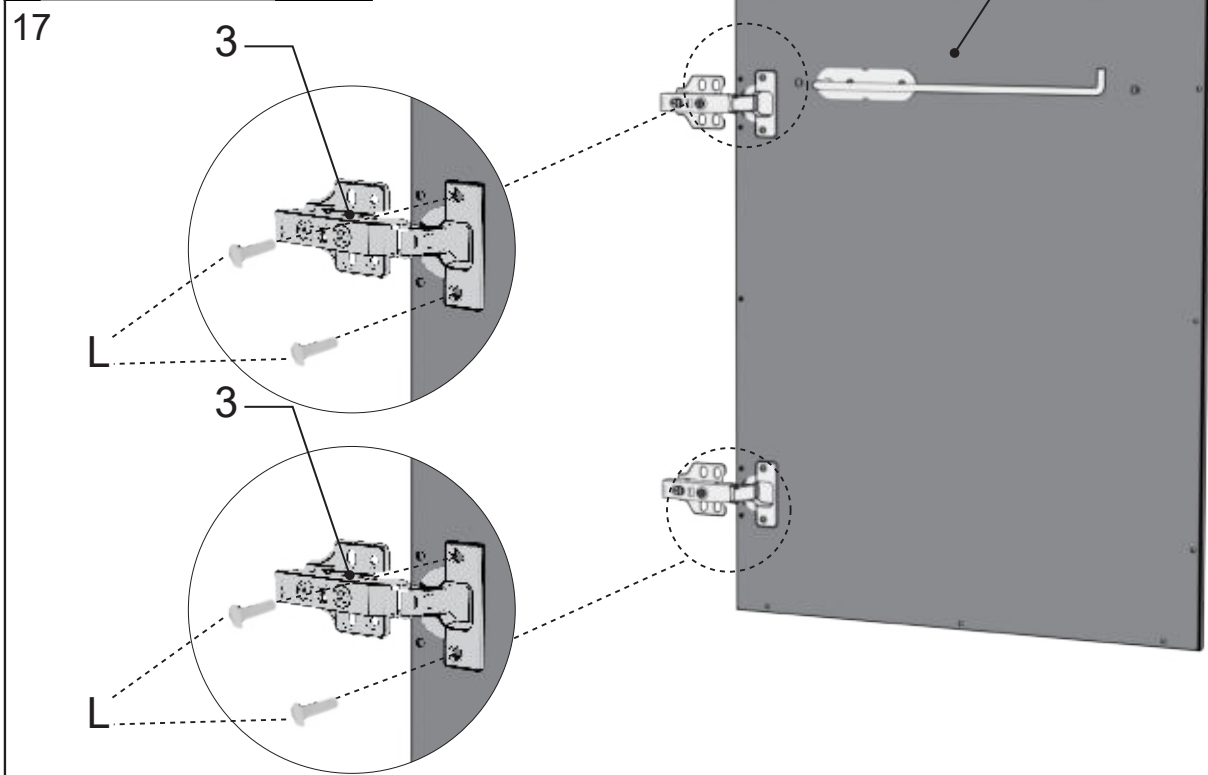


I	M4X30 	2pcs.	L	M4X12-SS 	2pcs.
---	--	-------	---	---	-------

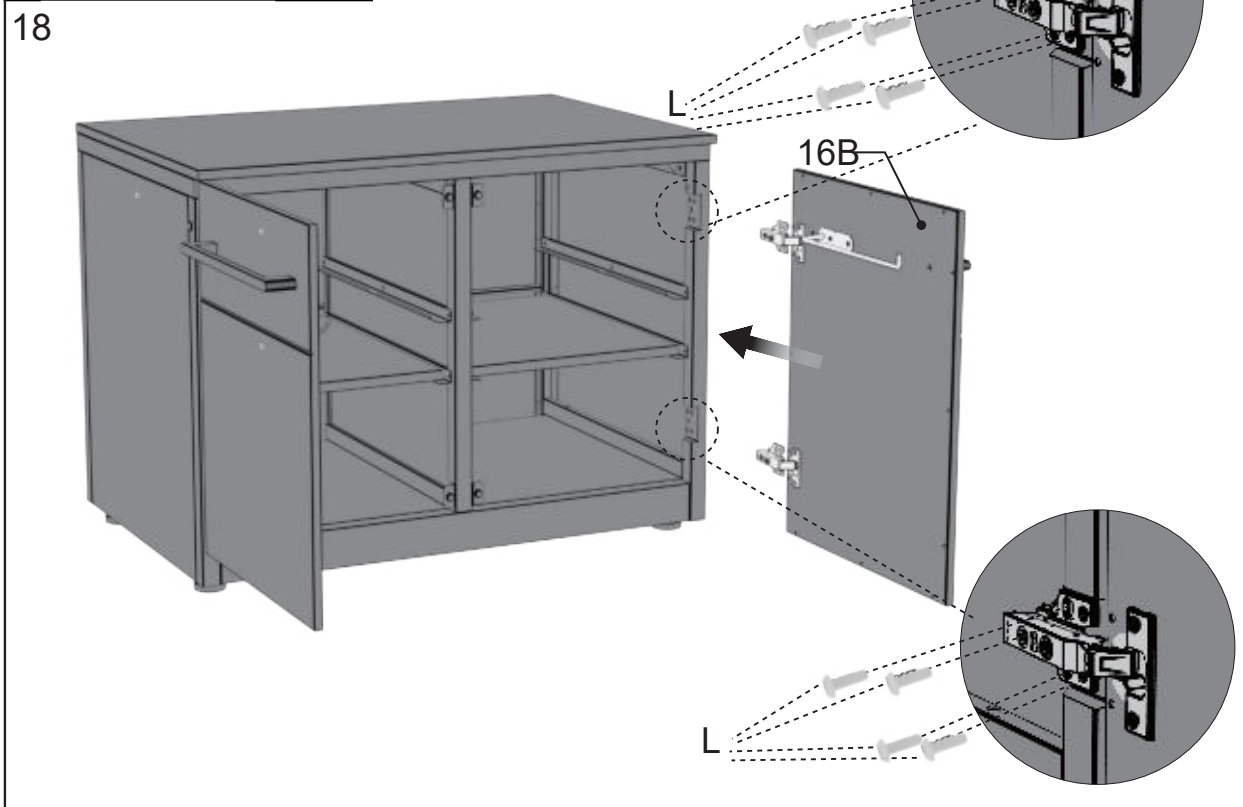
16



	M4X12-SS	
L		4pcs.

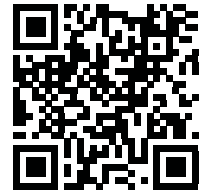
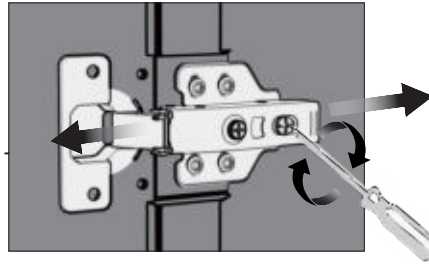
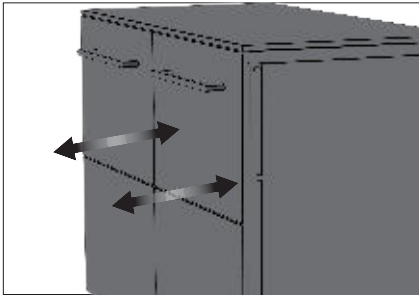


	M4X12-SS	
L		8pcs.

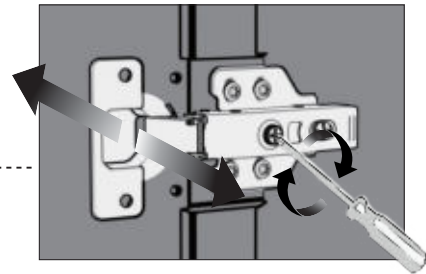
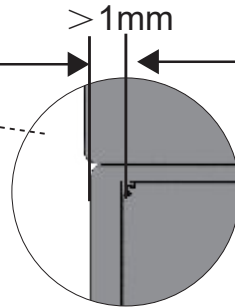
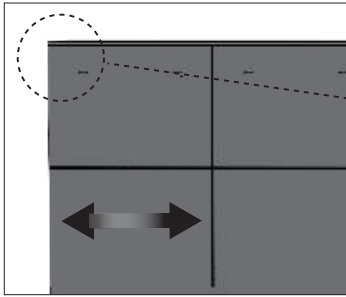


19

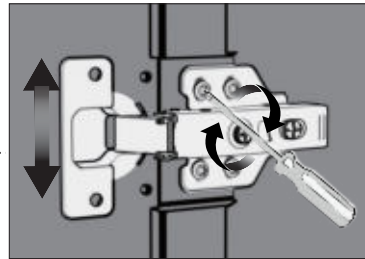
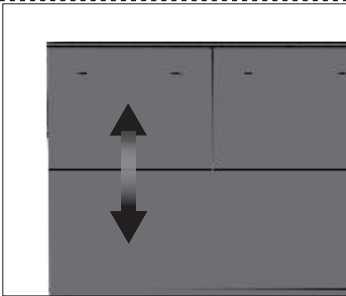
①



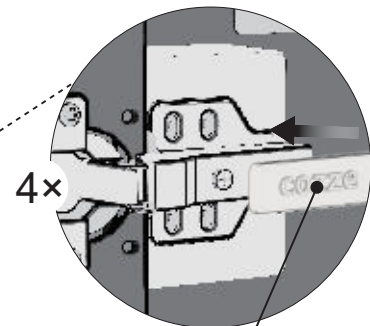
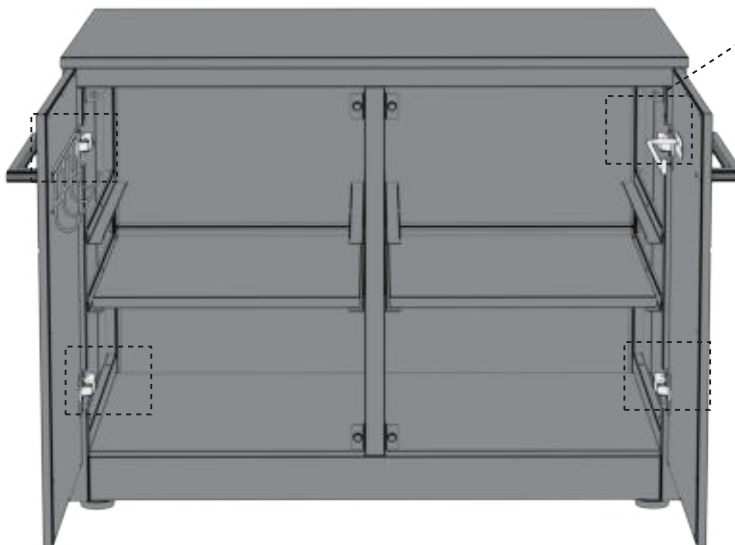
②



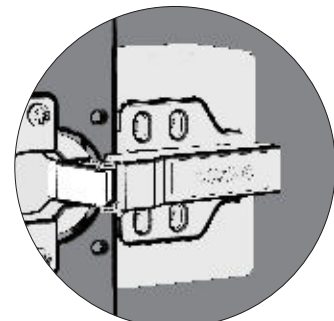
③



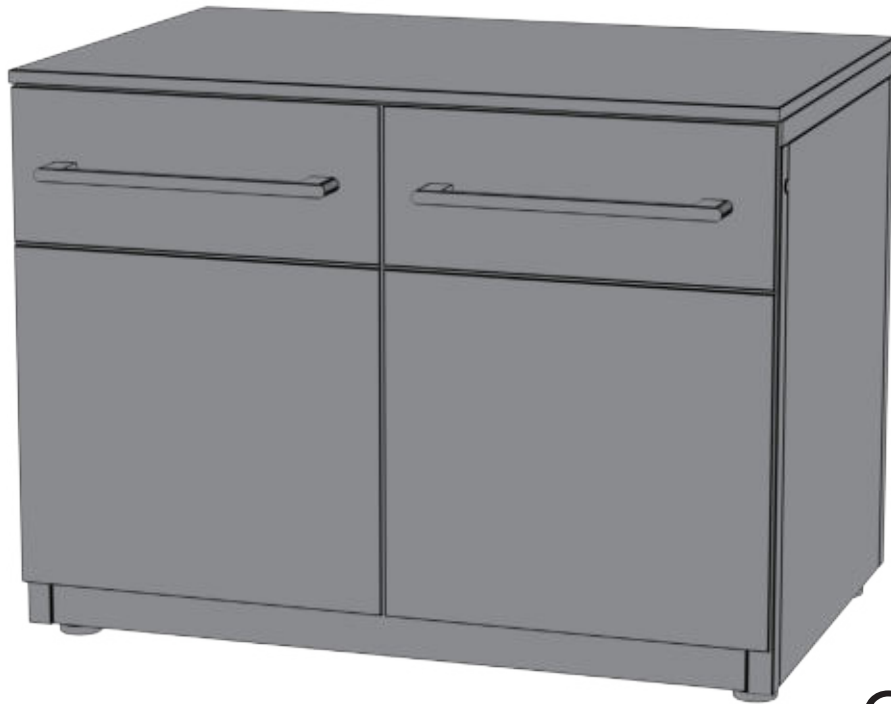
20



17



21



OK



FIND MORE INSPIRATION
AT COZZEBBQ.COM



Manufactured by
Millarco International A/S
Rokhøj 26, 8520 Lystrup - Denmark
www.millarco.com
www.cozzebbq.com



cozze®