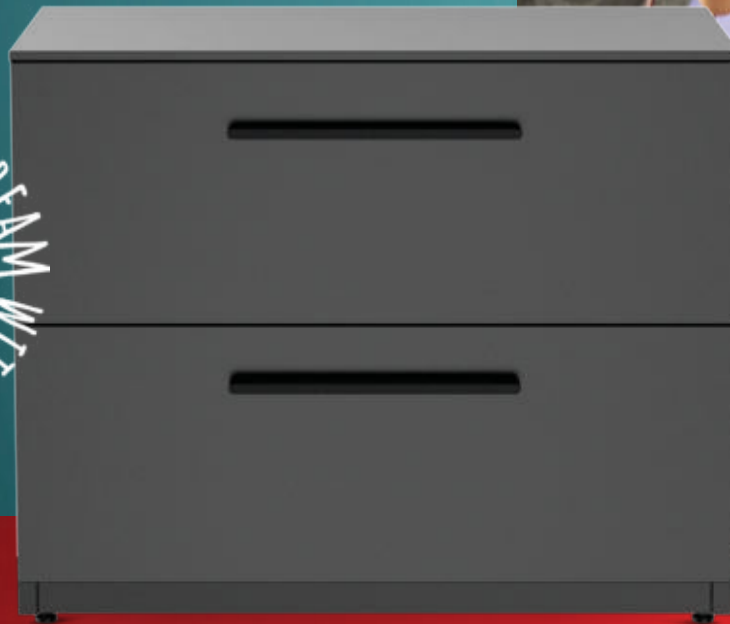
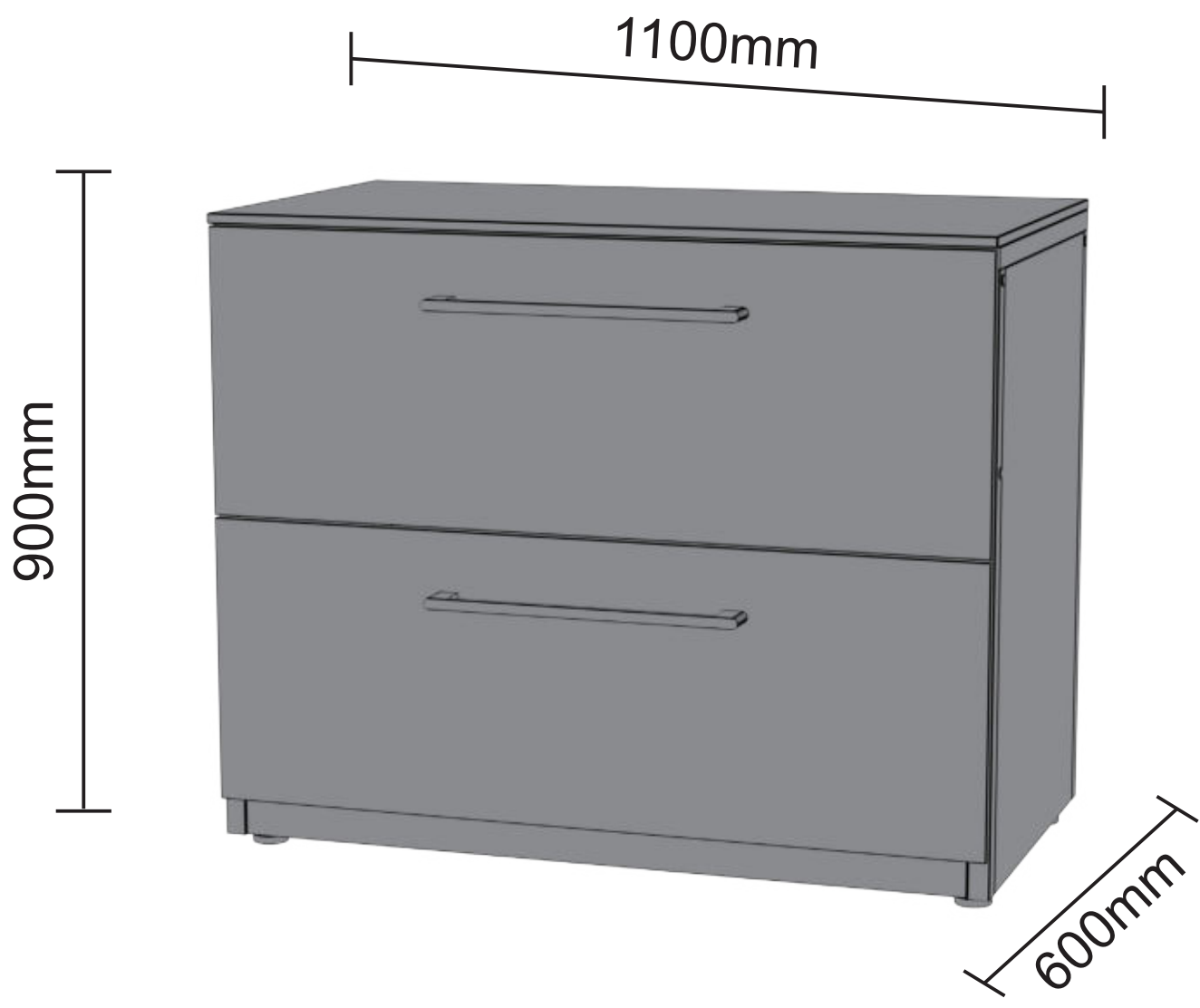


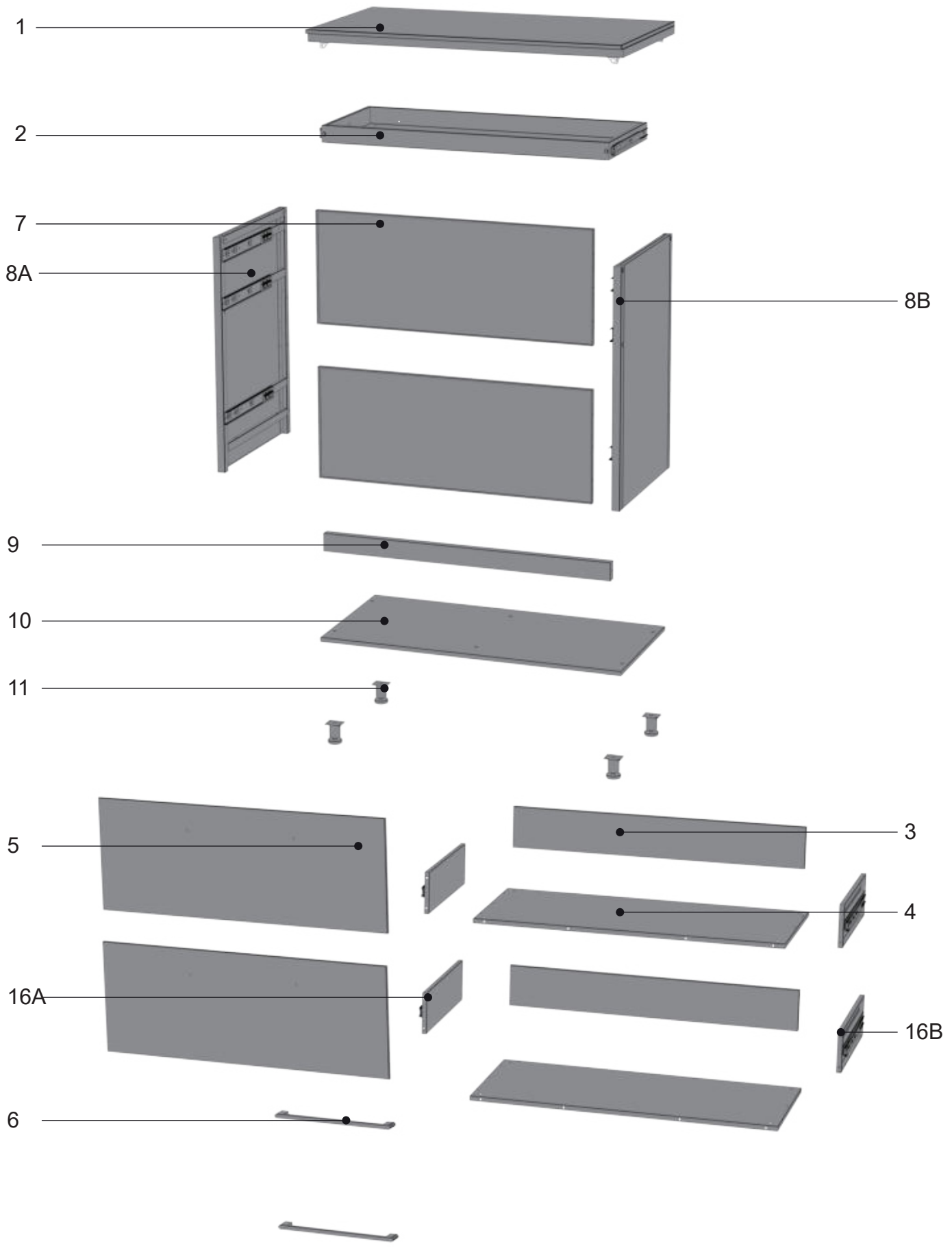
ASSEMBLY INSTRUCTIONS FOR OUTDOOR KITCHEN *Elements* WITH DRAWERS









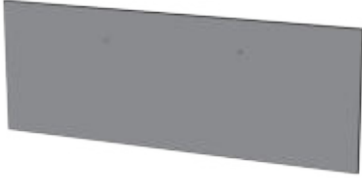


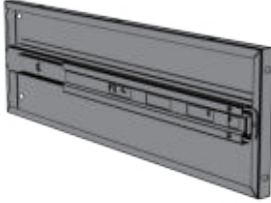

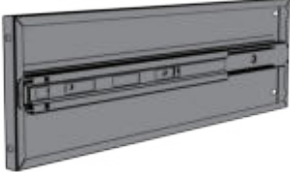



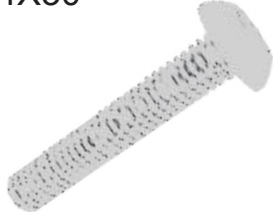
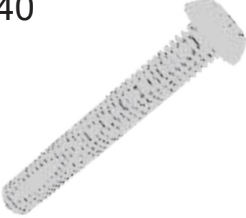




FIND A VIDEO ON HOW TO
ASSEMBLE THE OUTDOOR KITCHEN AT
COZZEBBQ.COM/ASSEMBLY

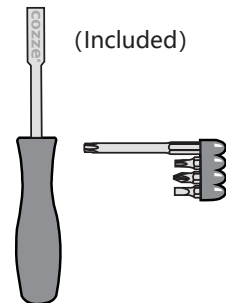
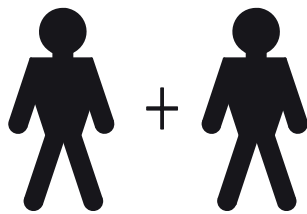






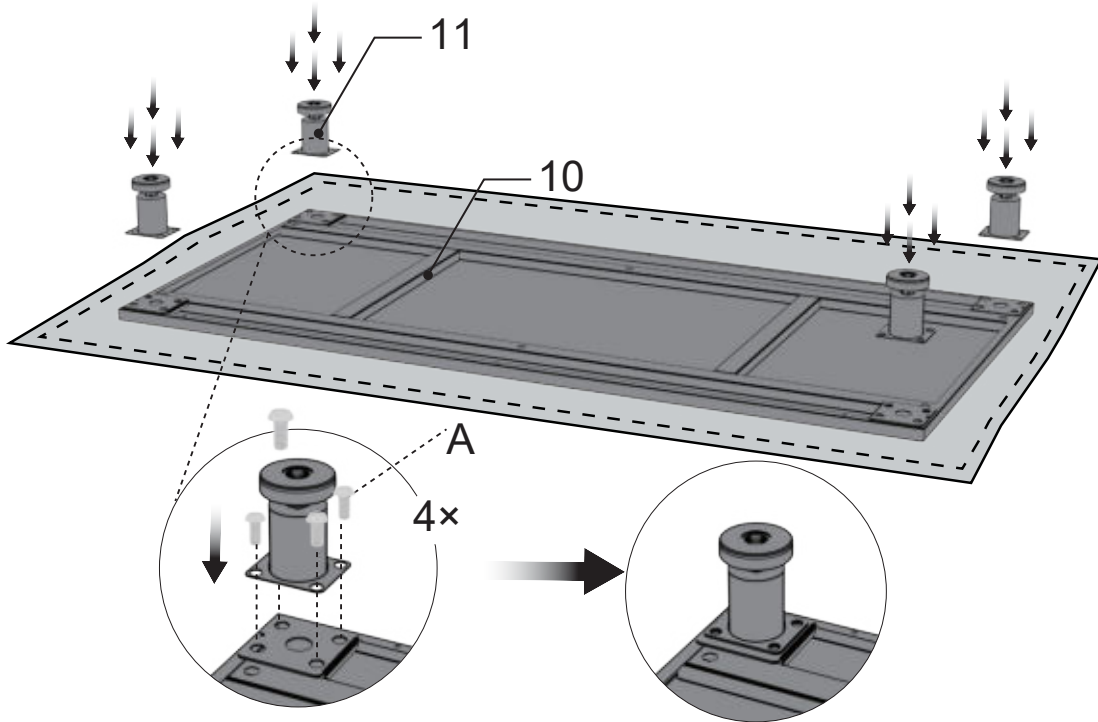
	independent unit, tabletop				
1		1pc.	8A		1pc.
2		1pc.	8B		1pc.
3		2pcs.	9		1pc.
4		2pcs.	10		1pc.
5		2pcs.	11		4pcs.
6		2pcs.	16A		2pcs.
7		2pcs.	16B		2pcs.


A	M6X12 	16pcs.	I	M4X30 	4pcs.
B	M6X40 	4pcs.	F	M4X8 	48pcs.
C	ST4.2X10 	5pcs.	J	M6X12-SS 	4pcs.
D	$\Phi 16 * \Phi 6.5$ 		4pcs.		



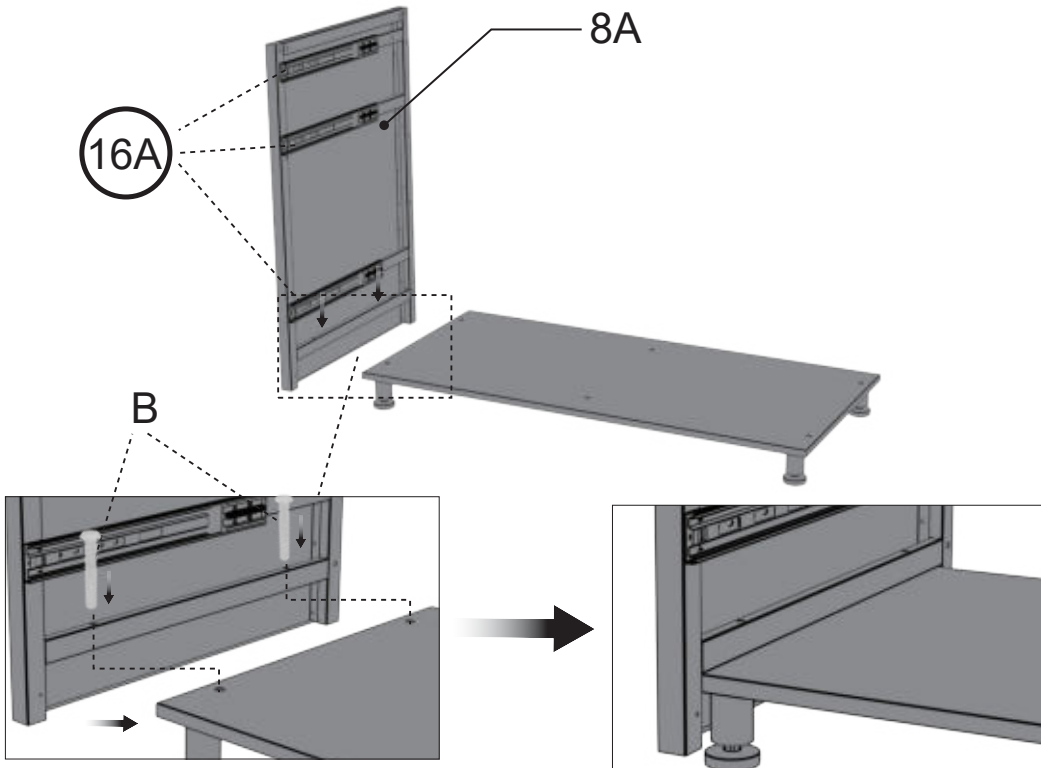
A	M6X12 	16pcs.
---	--	--------

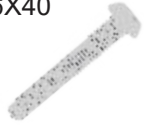
1



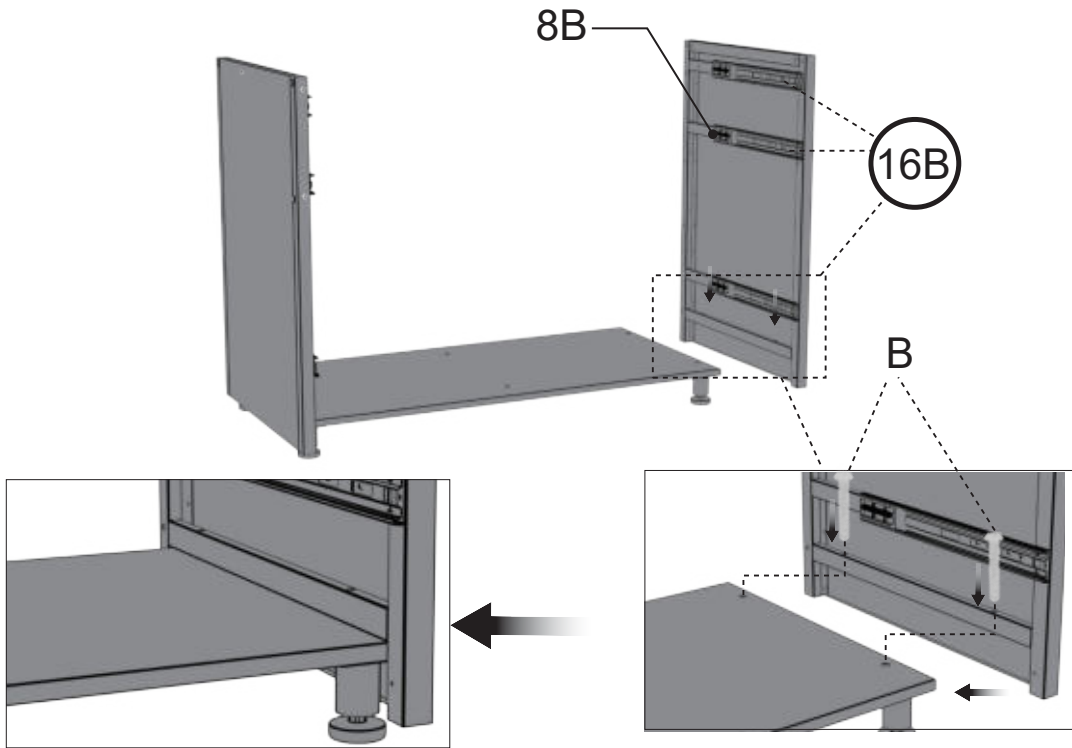
B	M6X40 	2pcs.
---	--	-------

2



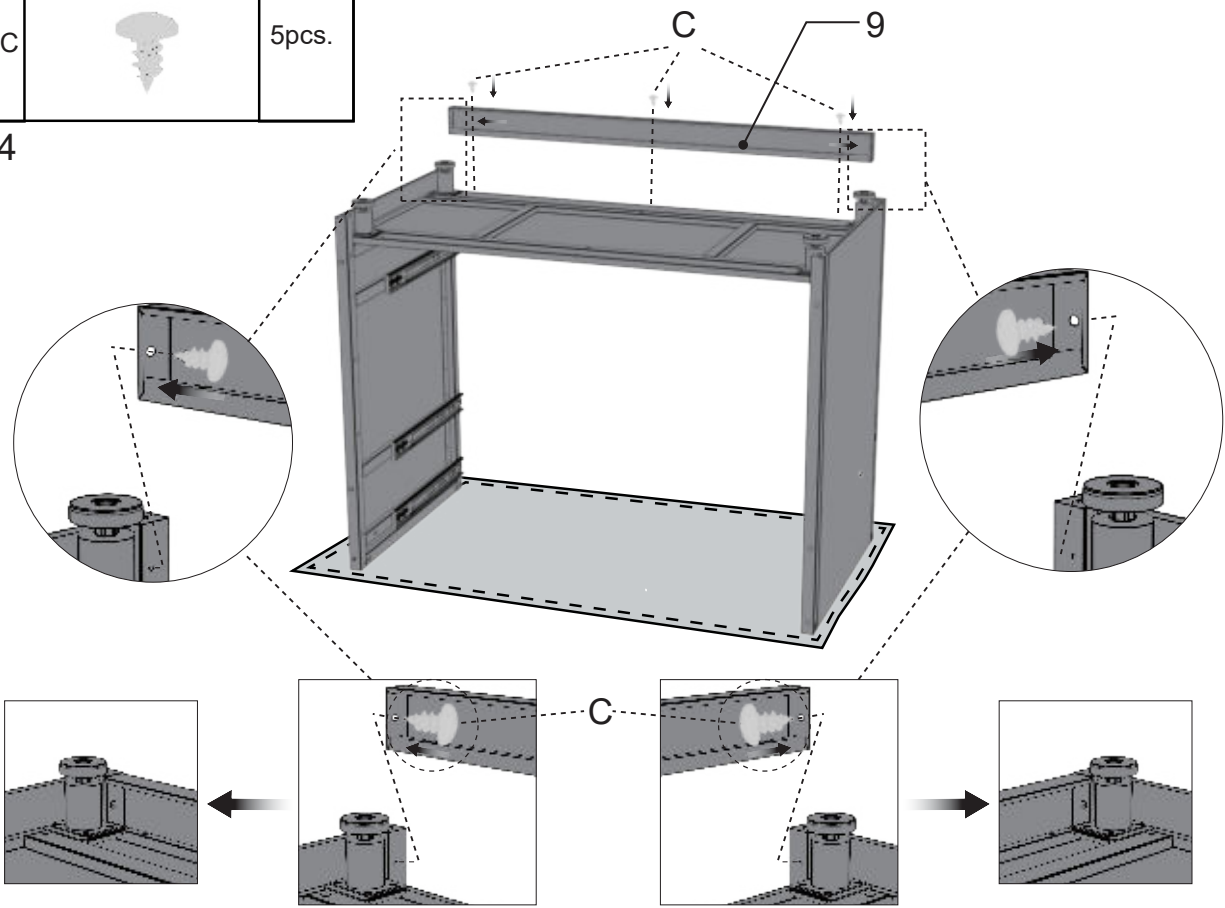
B	 M6X40	2pcs.
---	---	-------

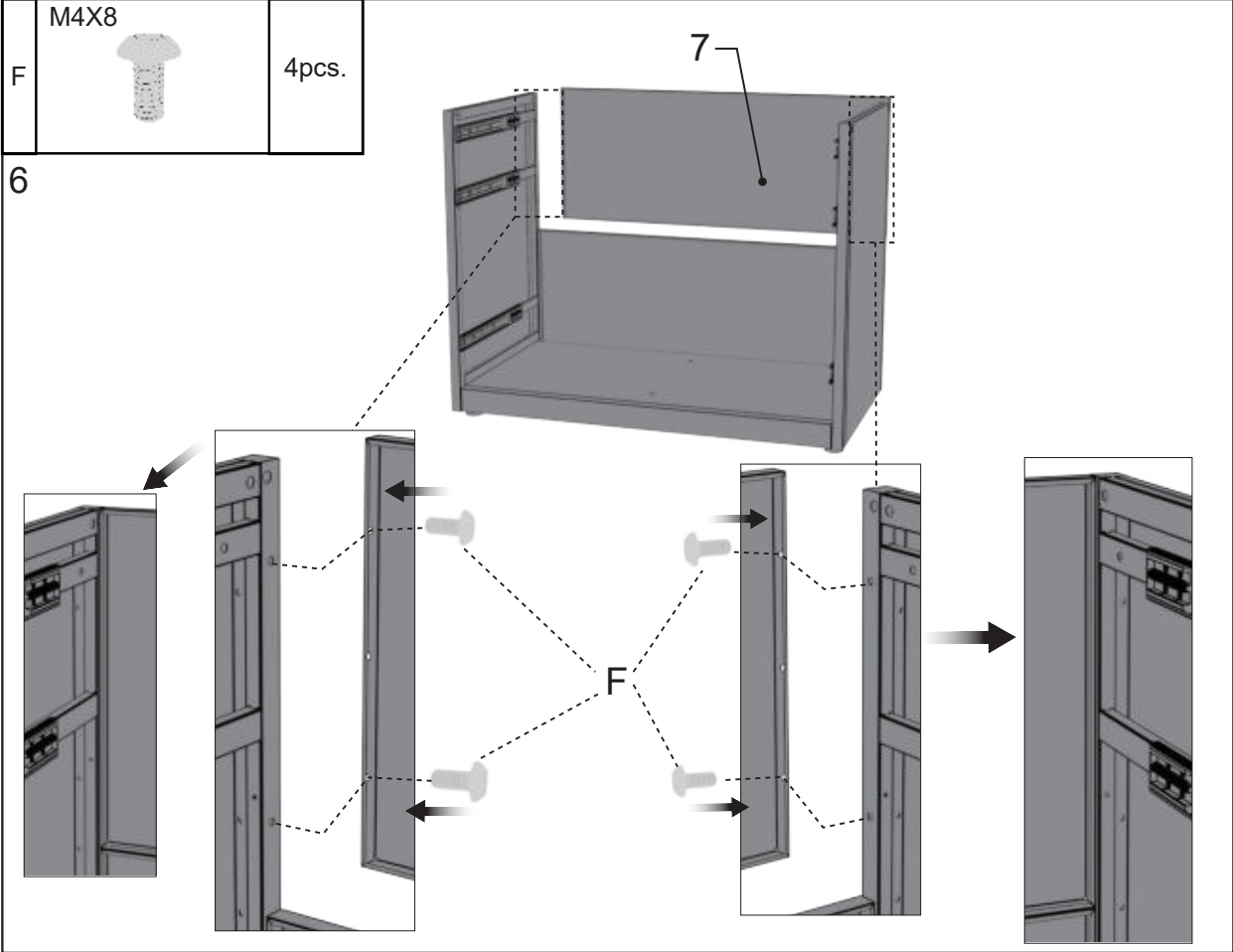
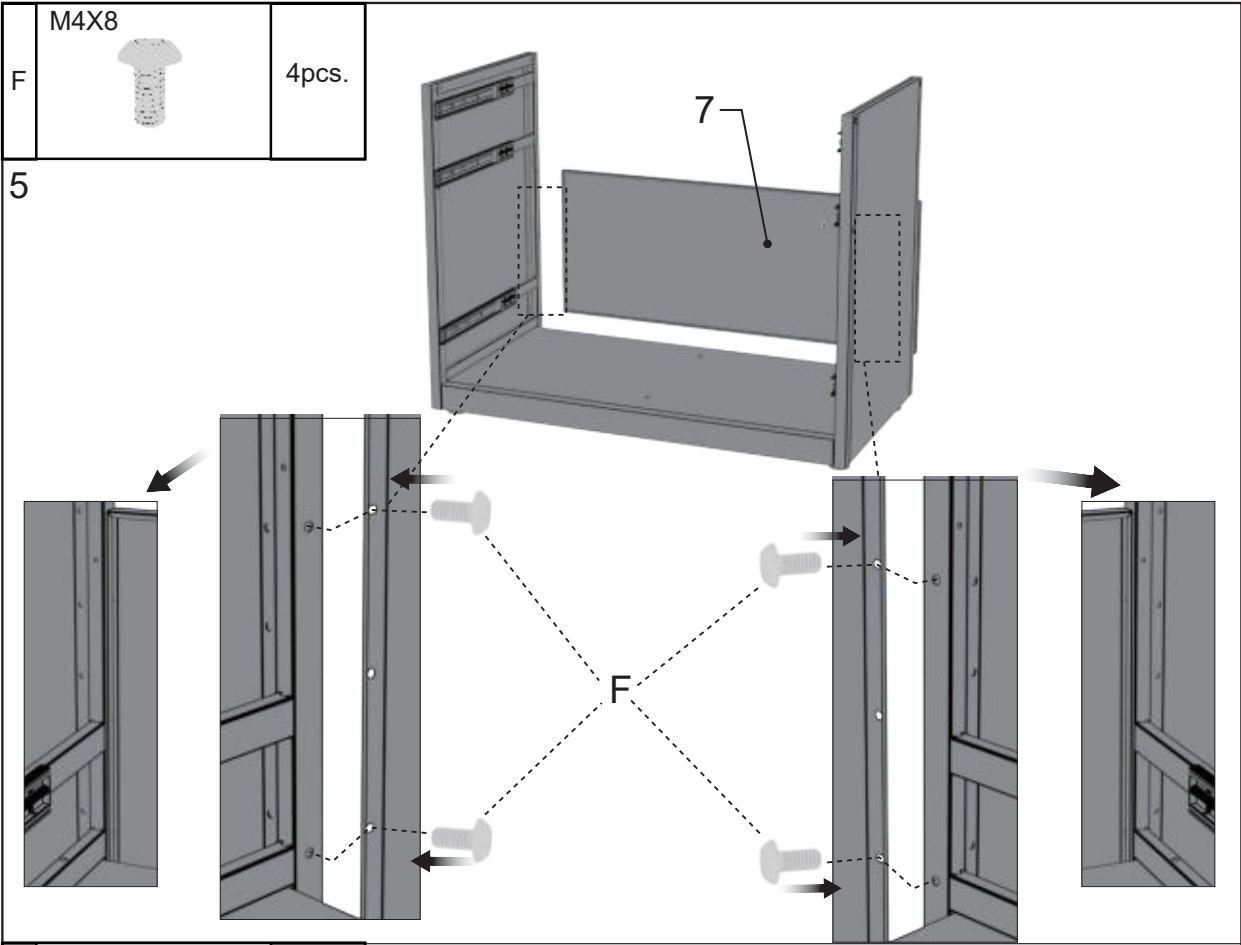
3





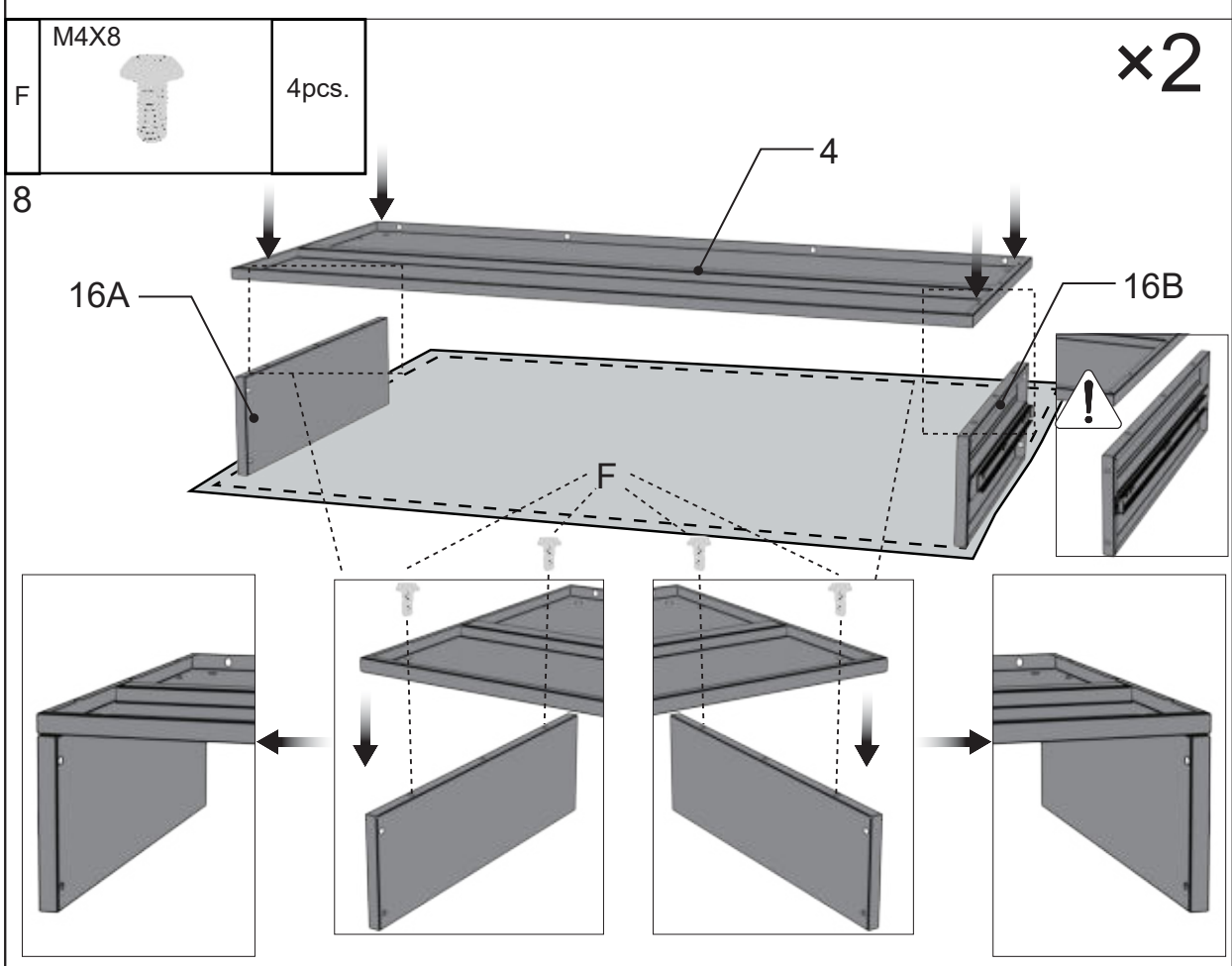
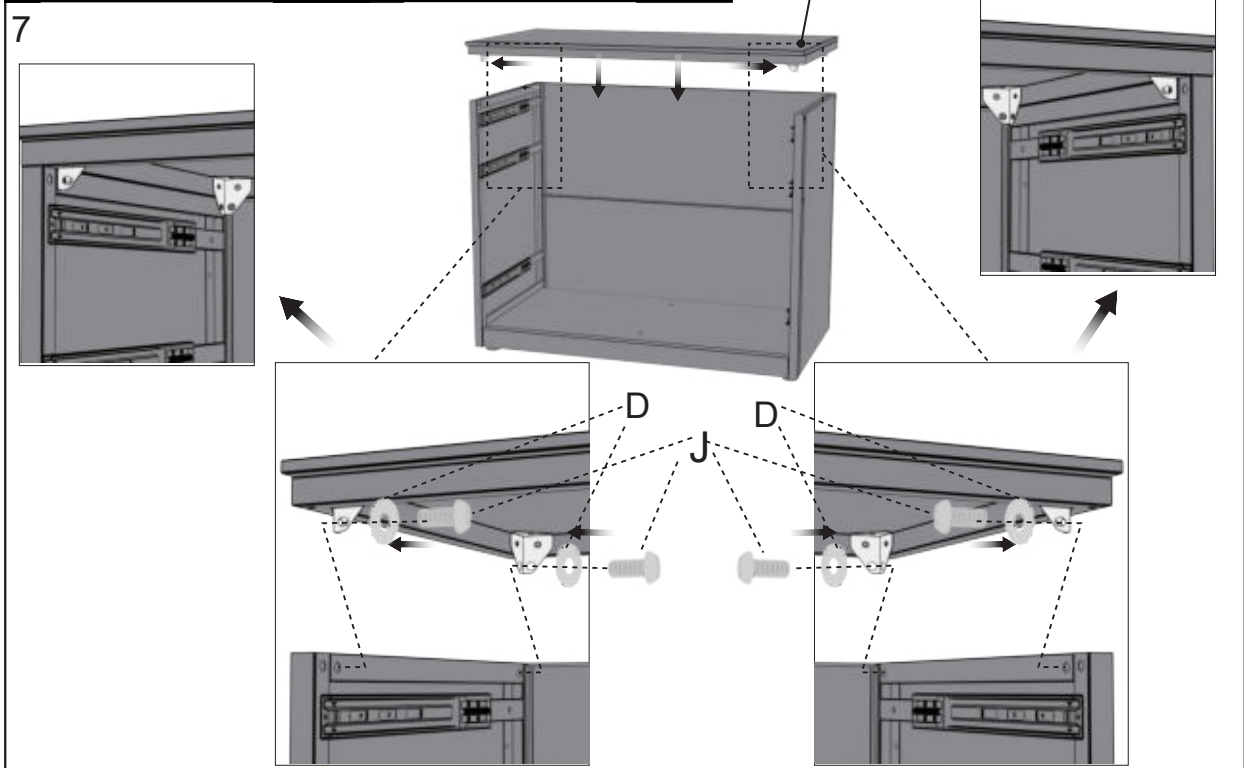
C	 ST4.2X10	5pcs.
---	--	-------

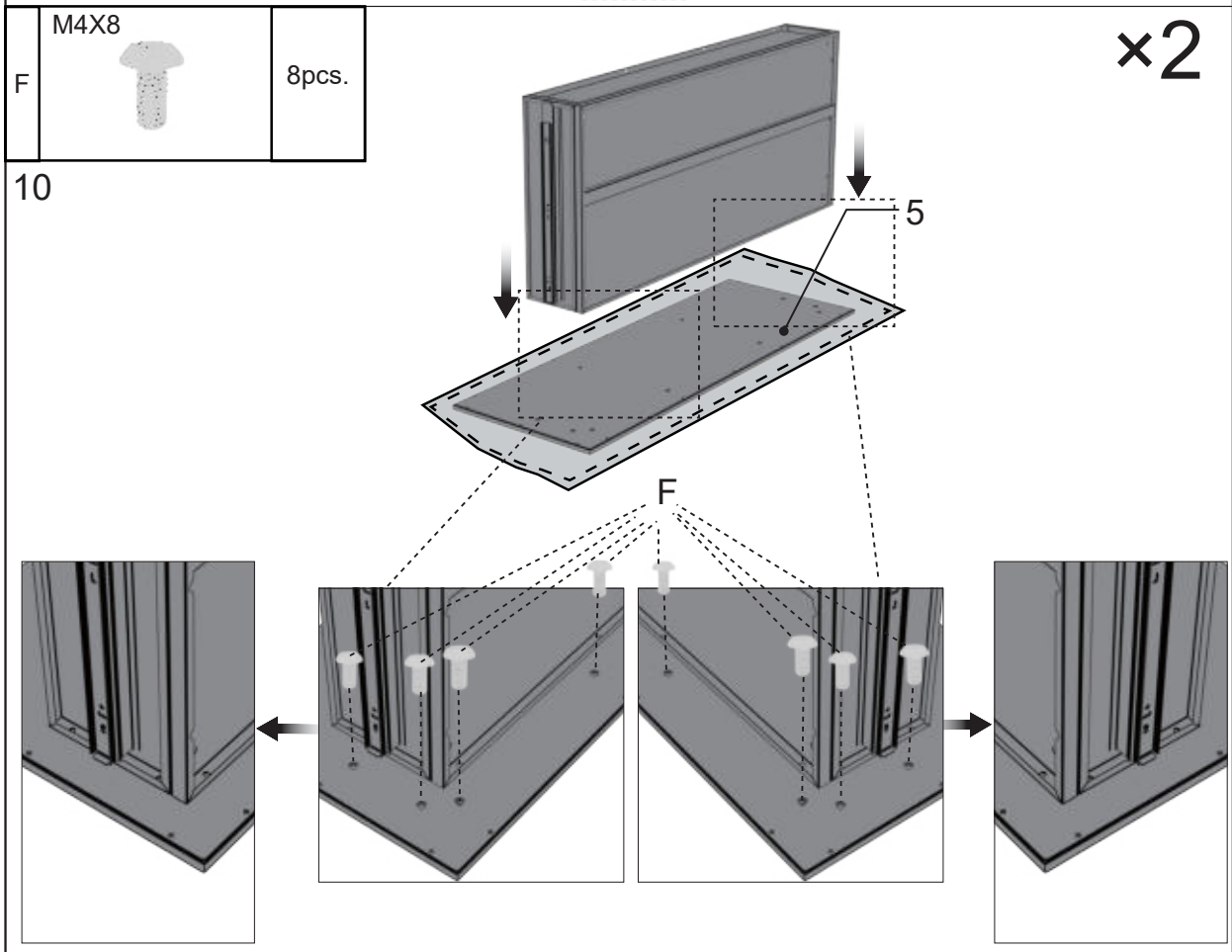
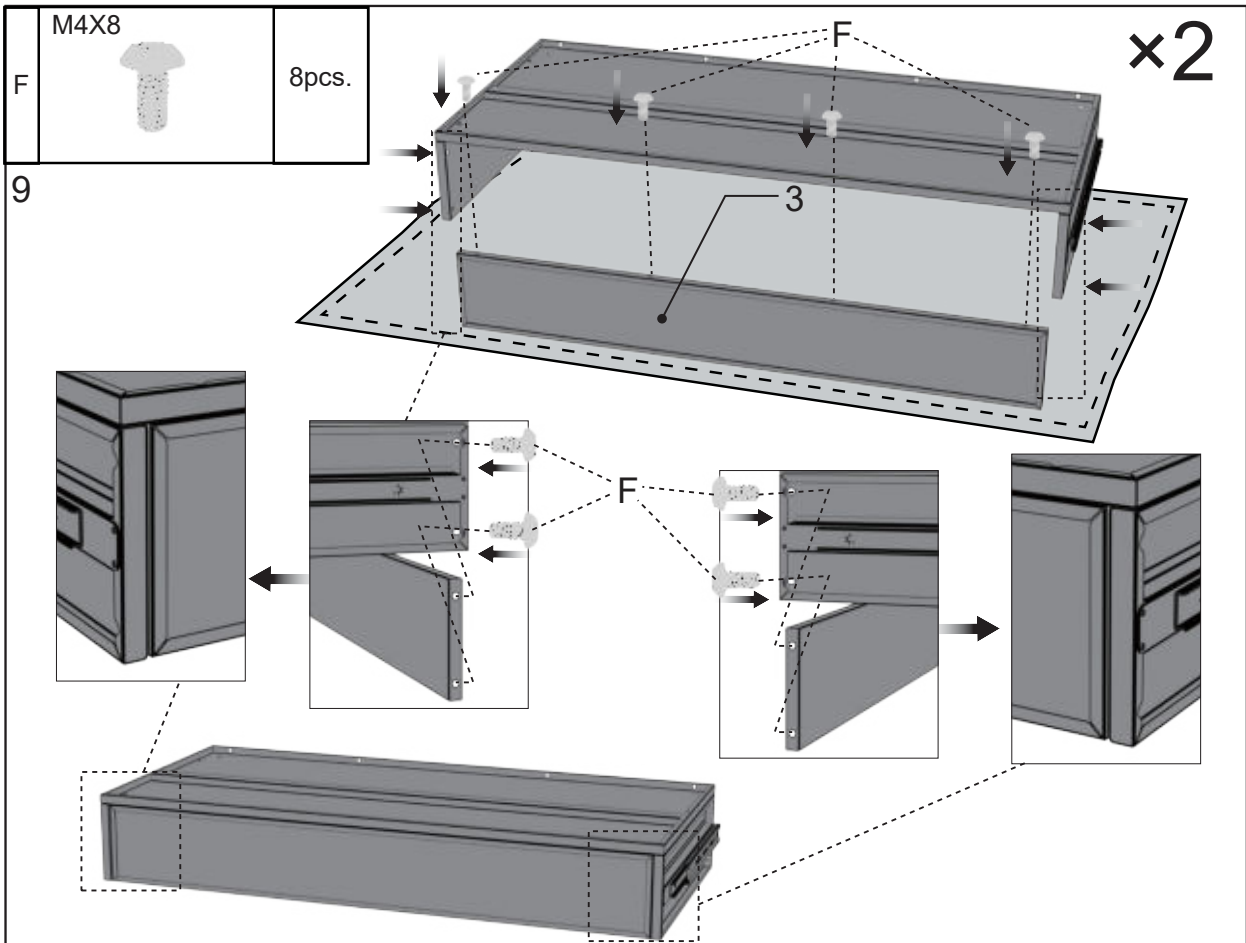
4

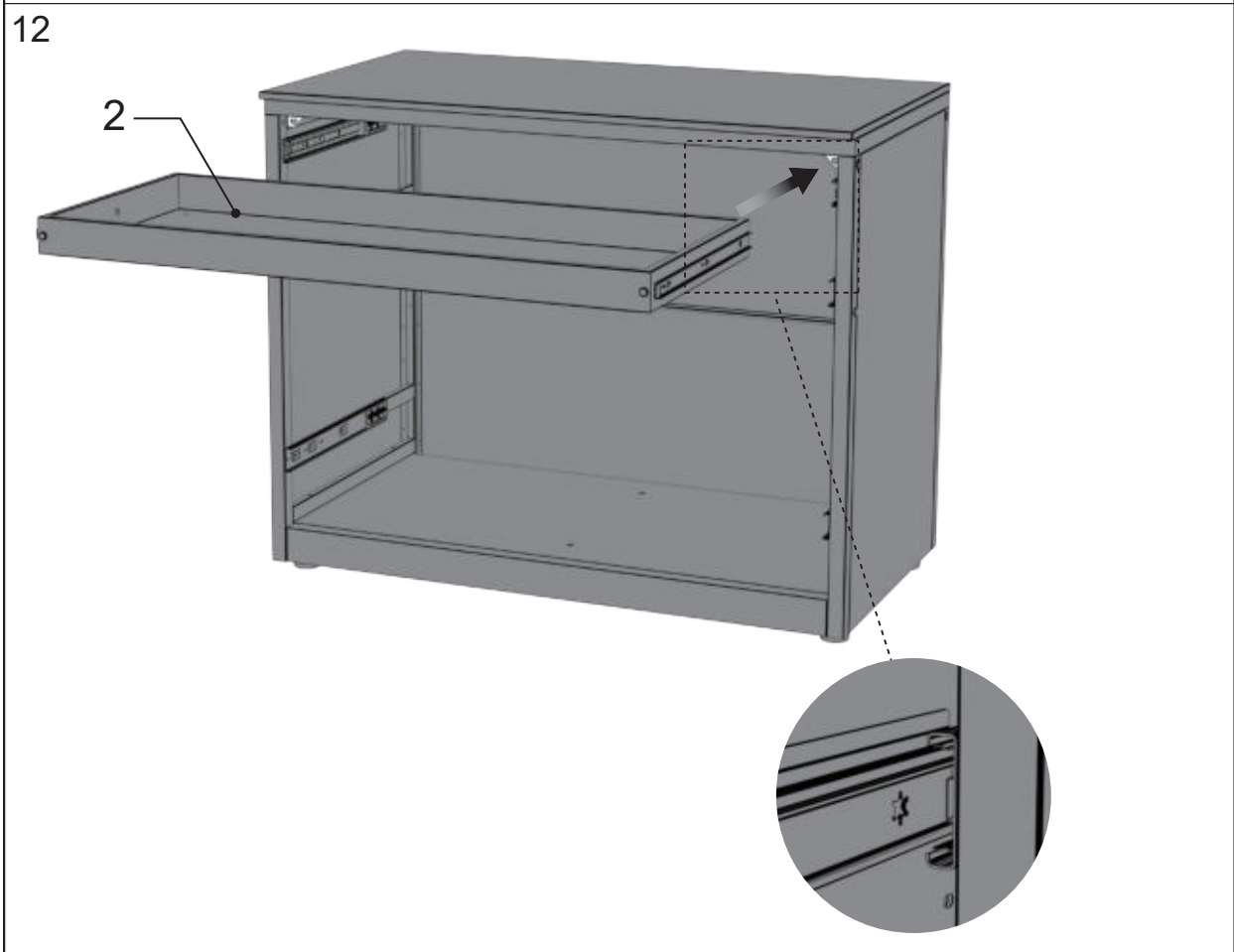
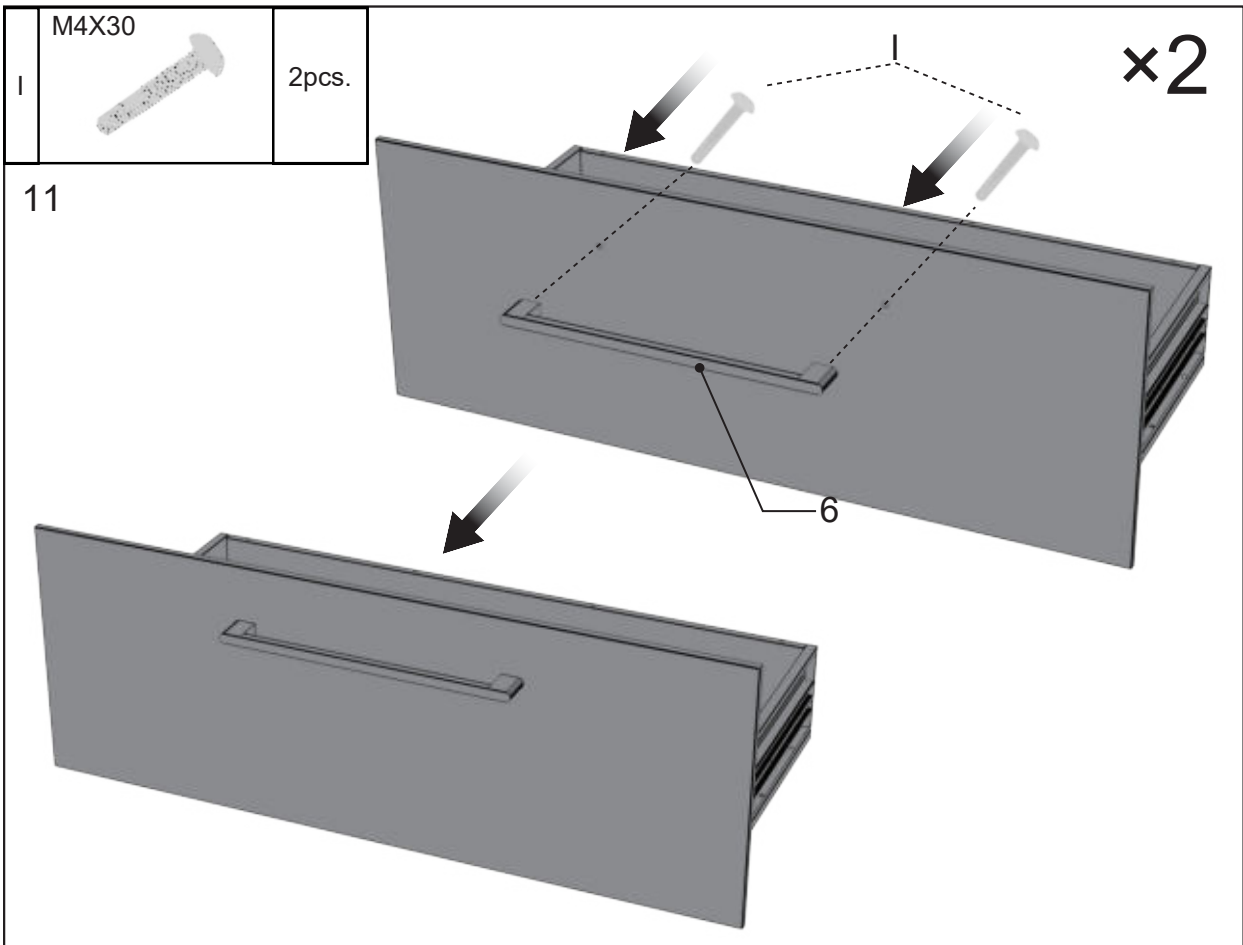




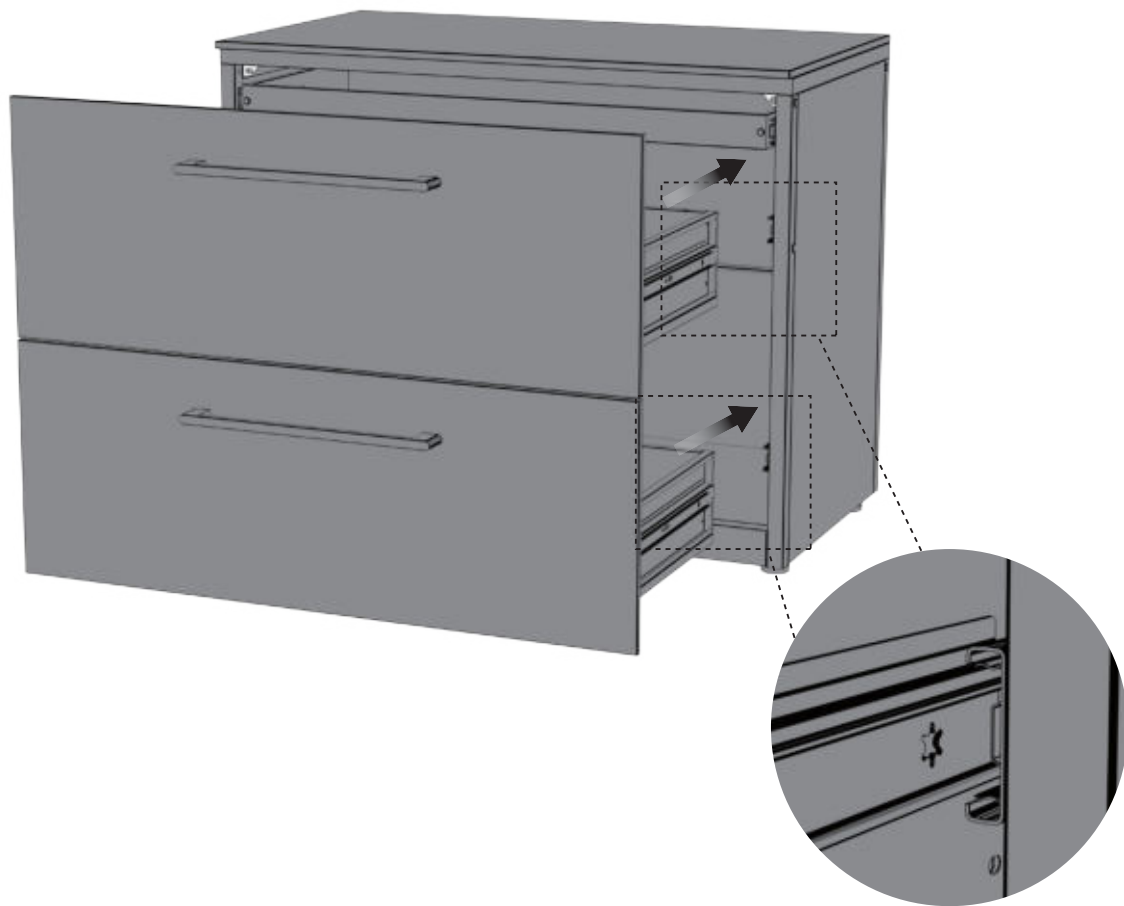
J	M6X12-SS 	4pcs.	D	$\phi 16^* \phi 6.5$ 	4pcs.
---	---	-------	---	---	-------







13

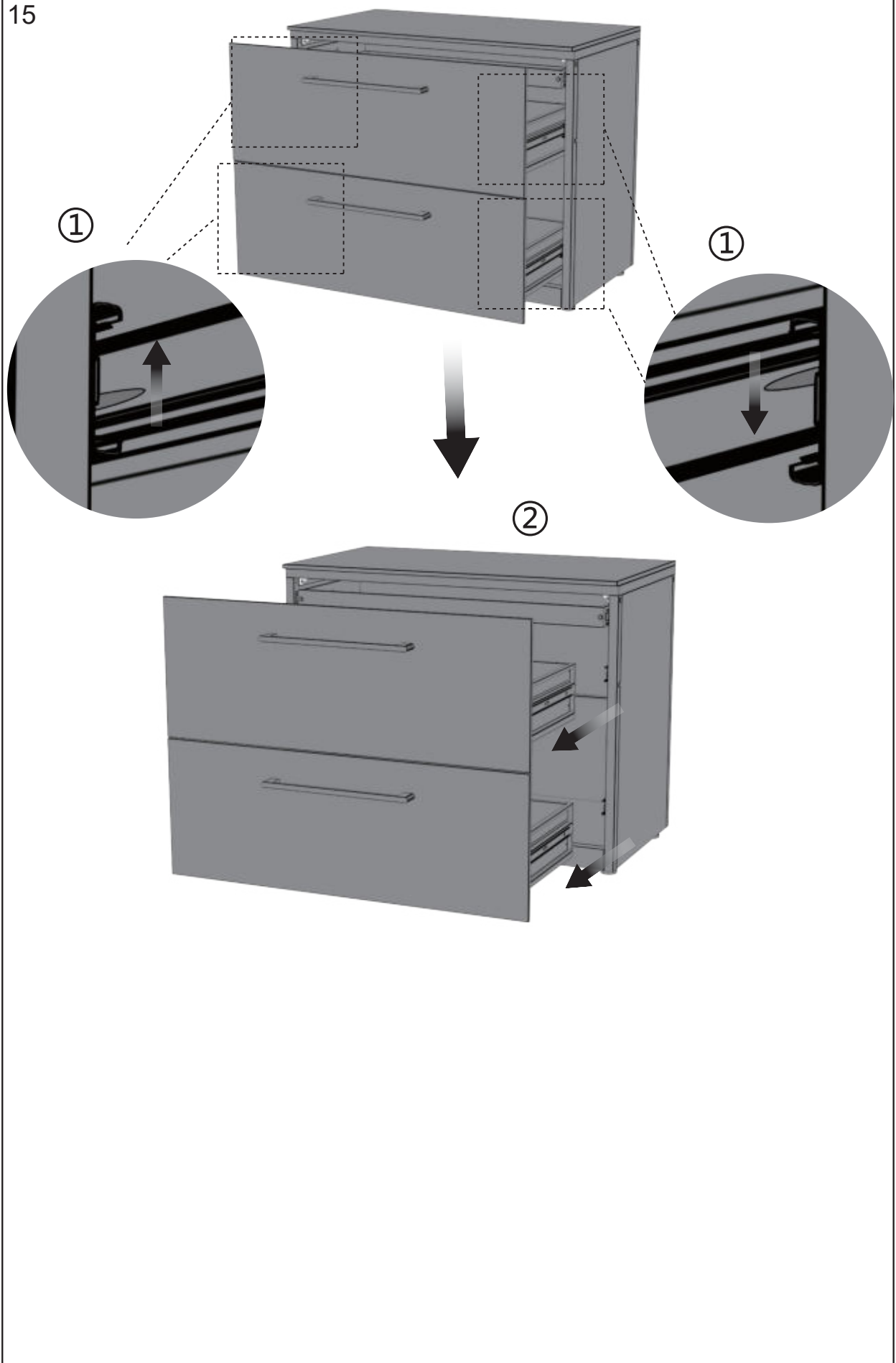


14



OK

15





90214



FIND MORE INSPIRATION
AT COZZEBBQ.COM



Manufactured by
Millarco International A/S
Rokhøj 26, 8520 Lystrup - Denmark
www.millarco.com
www.cozzebbq.com



cozze®