

90210

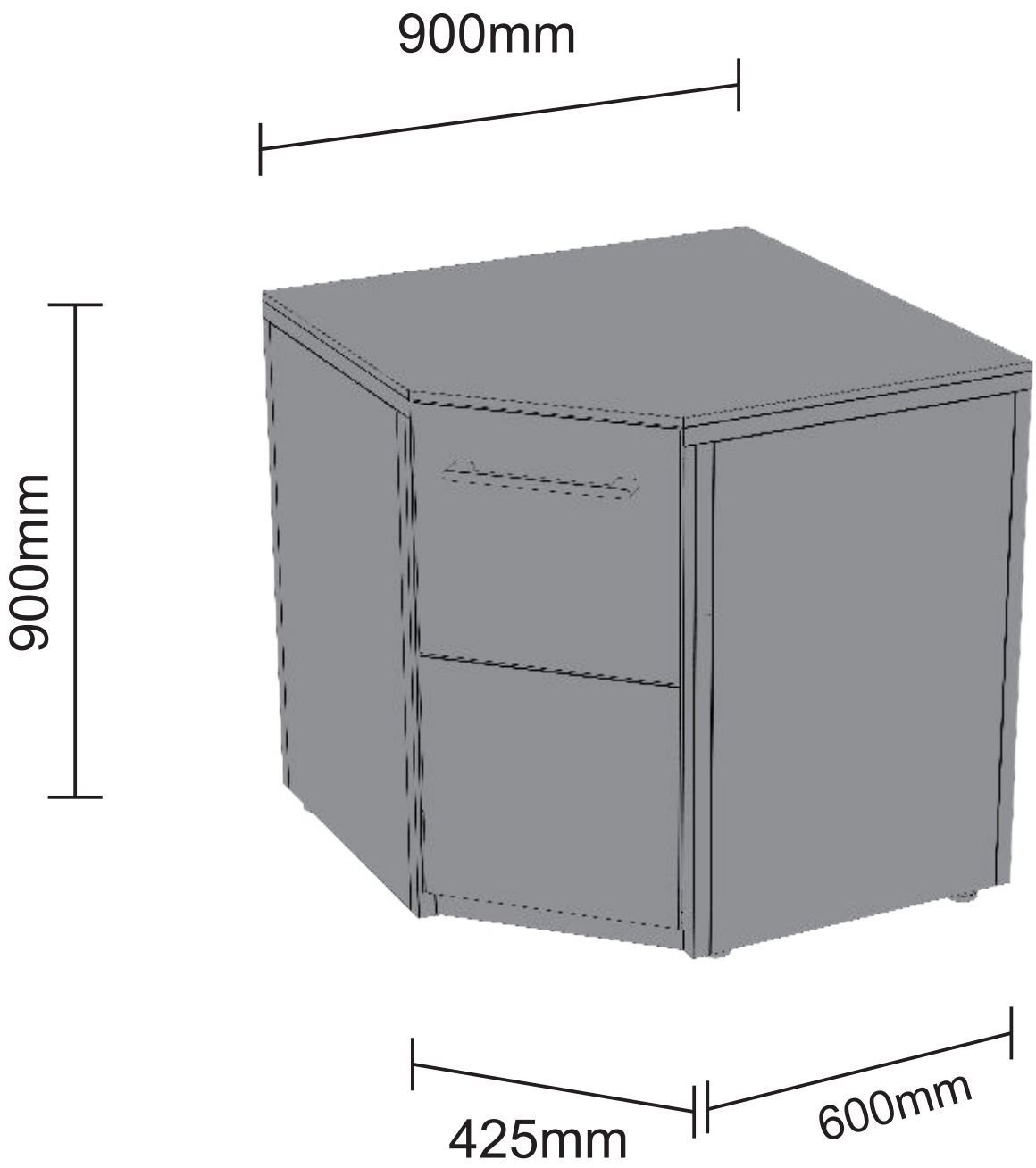
ASSEMBLY INSTRUCTIONS FOR OUTDOOR KITCHEN *Elements* CORNER

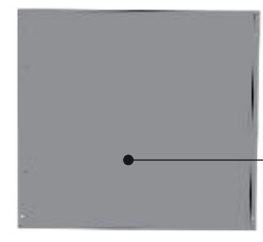
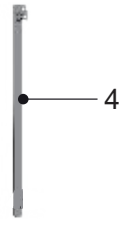
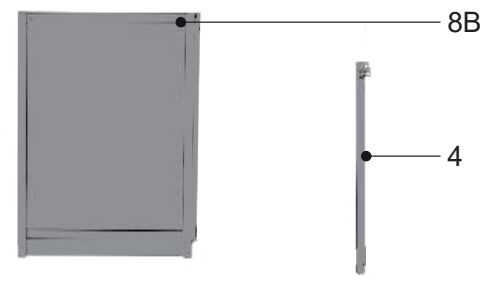
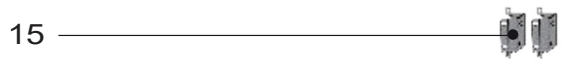
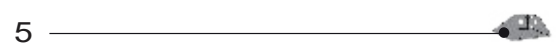
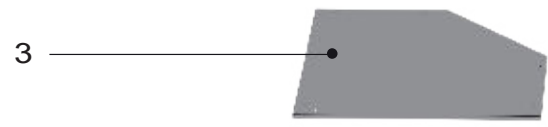
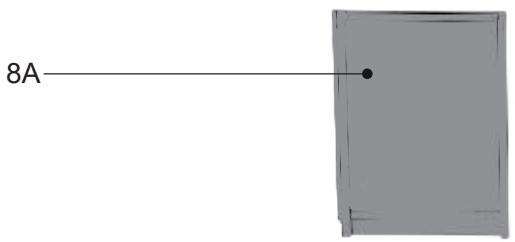
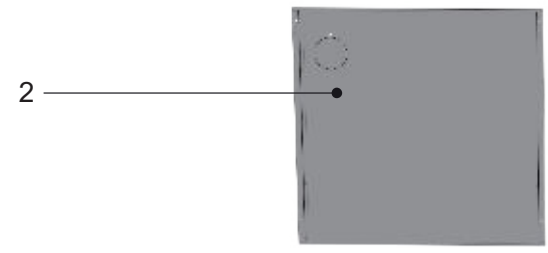
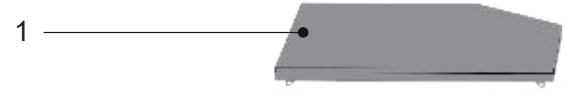


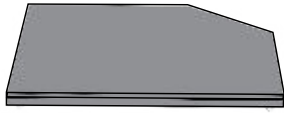




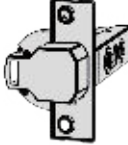




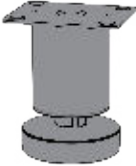



FIND A VIDEO ON HOW TO
ASSEMBLE THE OUTDOOR KITCHEN AT
COZZEBBQ.COM/ASSEMBLY

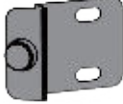





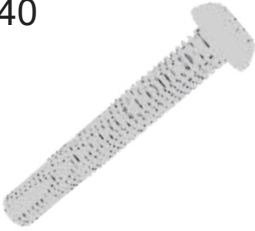







cozze[®]

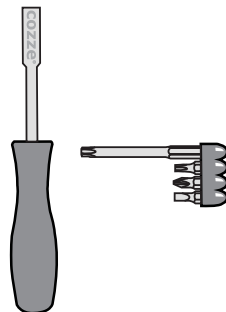
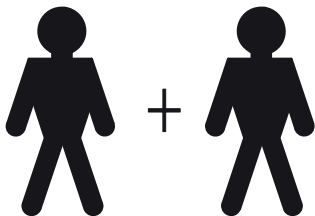




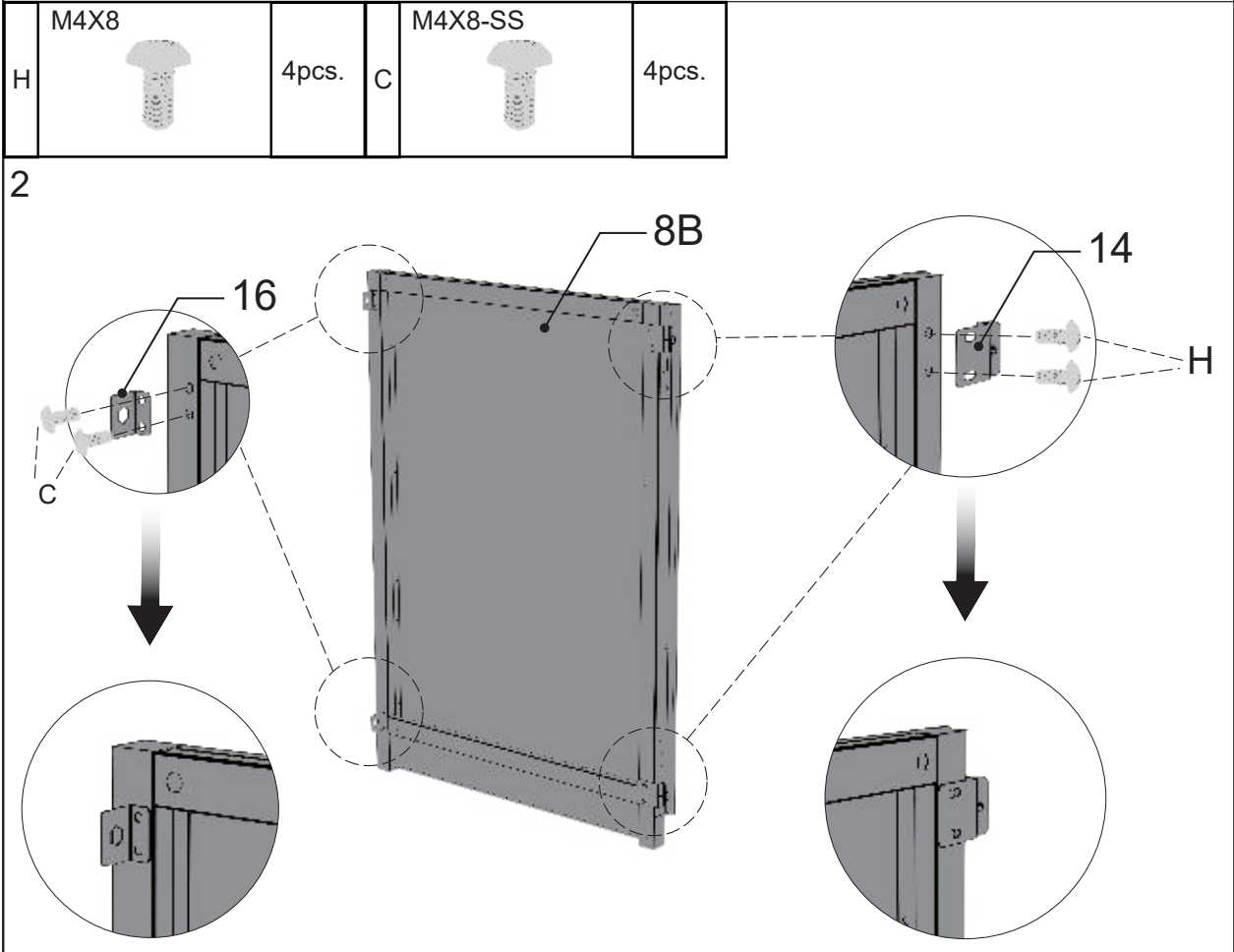
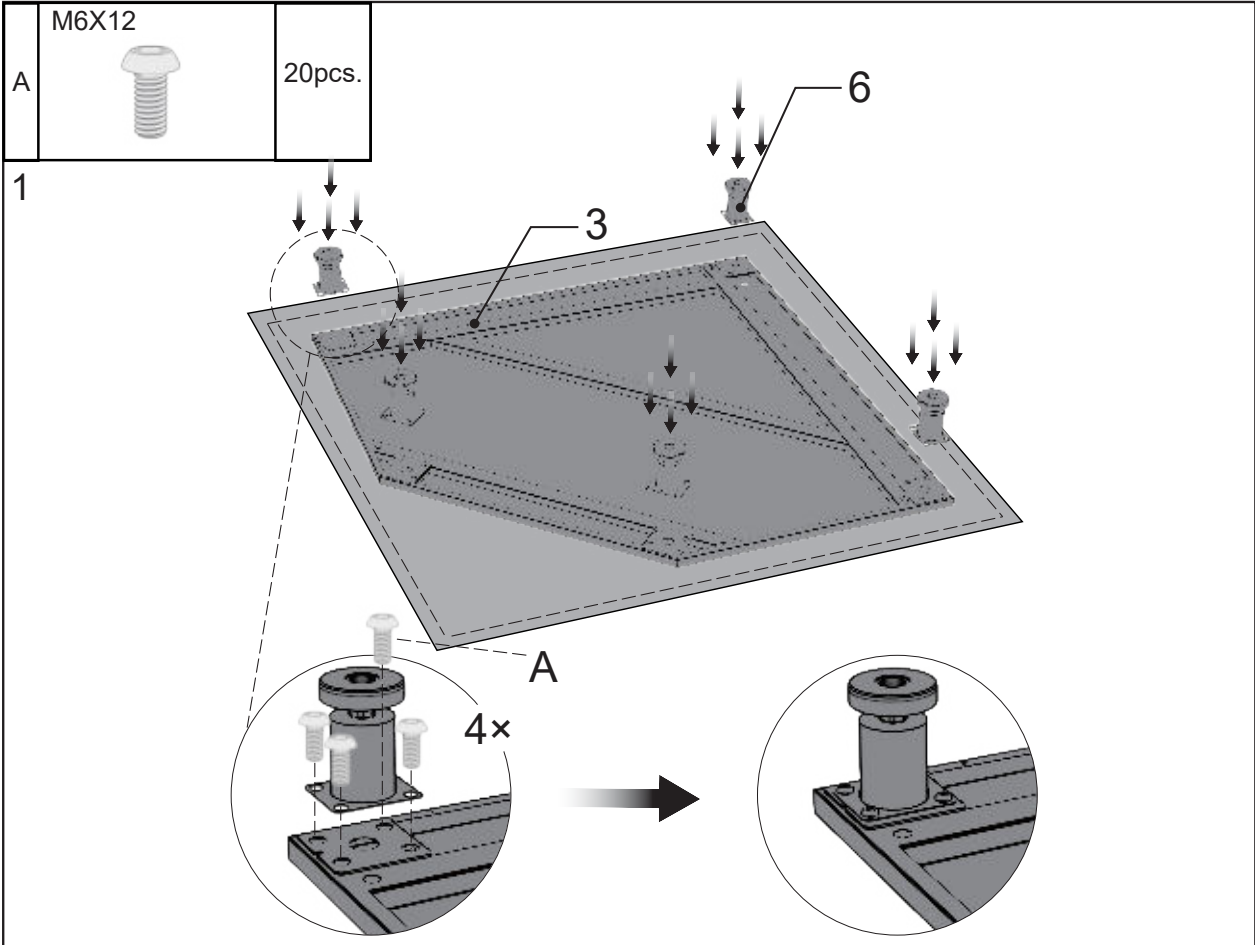
	Independent unit, tabletop				
1		1pc.	8A		1pc.
2		1pc.	8B		1pc.
3		1pc.	9		2pcs.
4		1pc.	10		1pc.
5		1pc.	11		1pc.
6		4pcs.	12		1pc.
7		1pc.	13		2pcs.


14		2pcs.	16		5pcs.
15		2pcs.			

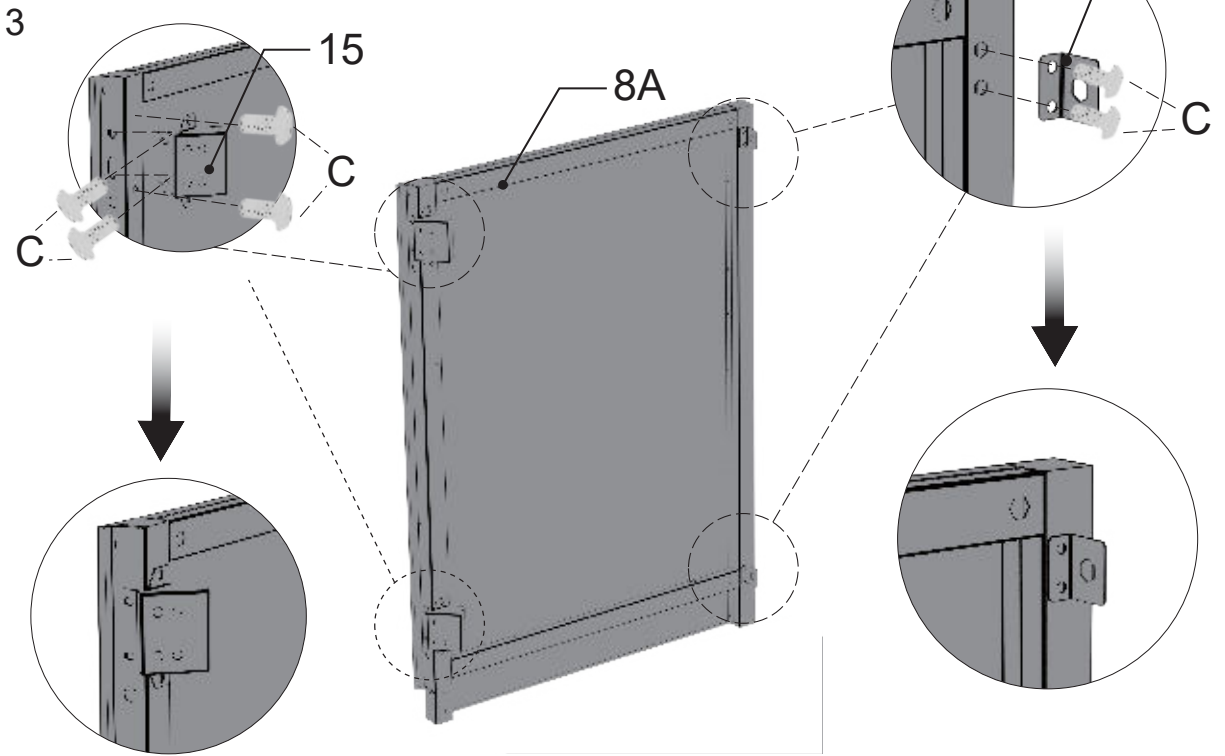
A	M6X12 	22pcs.	H	M4X8 	4pcs.
B	M6X40 	4pcs.	I	M4X30 	2pcs.
C	M4X8-SS 	18pcs.	L	M4X12-SS 	12pcs.
D	ST4.2X10 	6pcs.	F	M6X30 	8pcs.
J	M6X12-SS 	5pcs.	E	$\phi 16 * \phi 6.5$ 	5pcs.

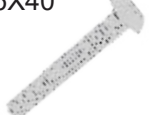


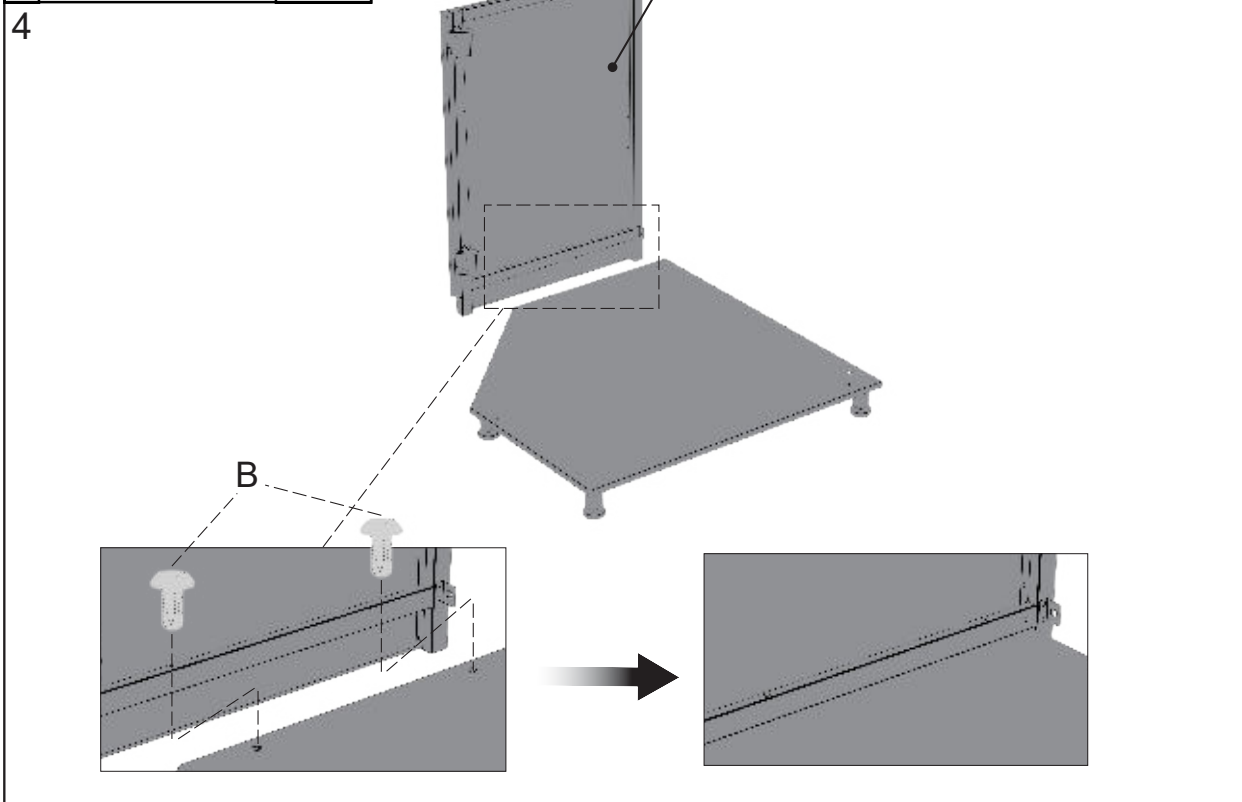
(Included)

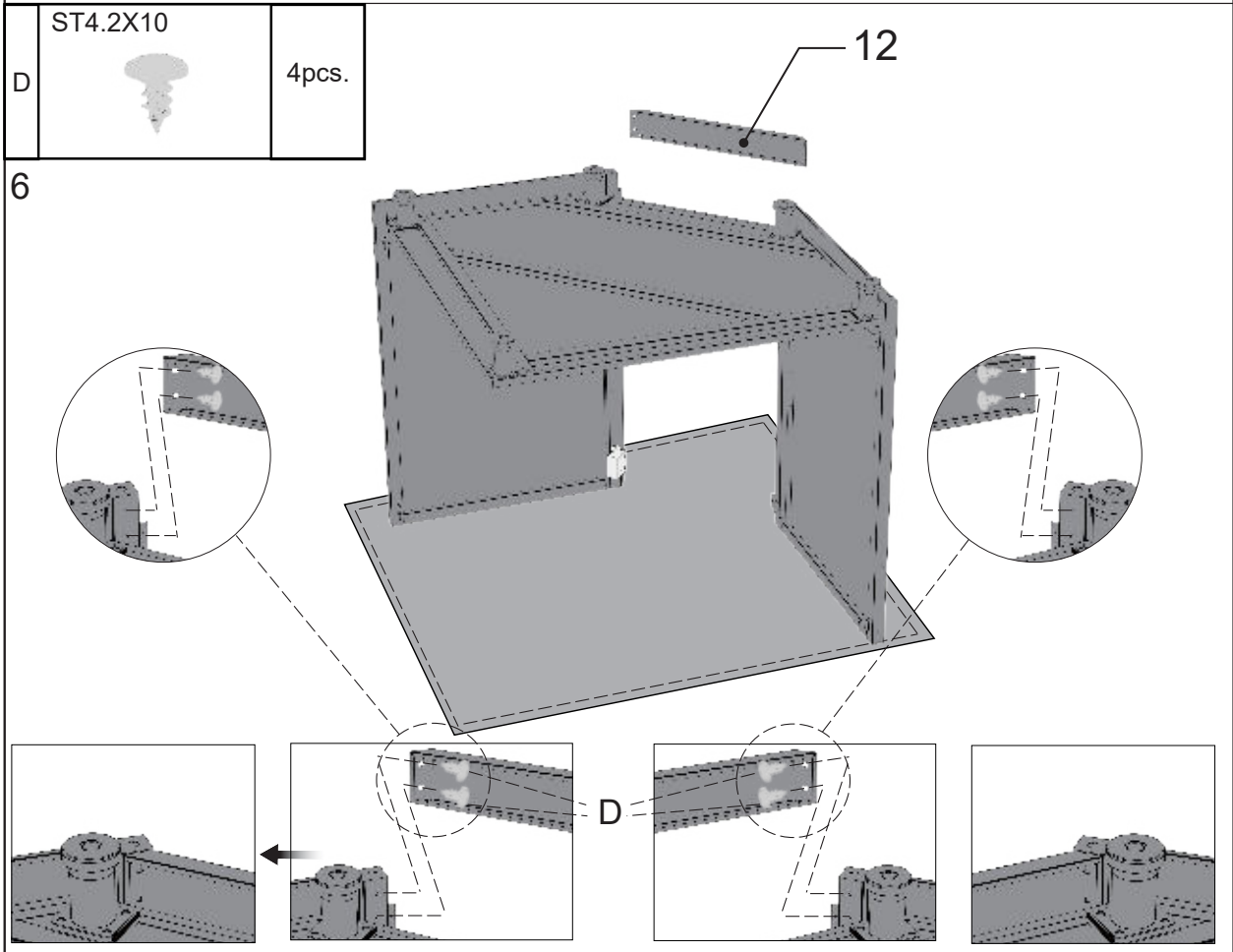
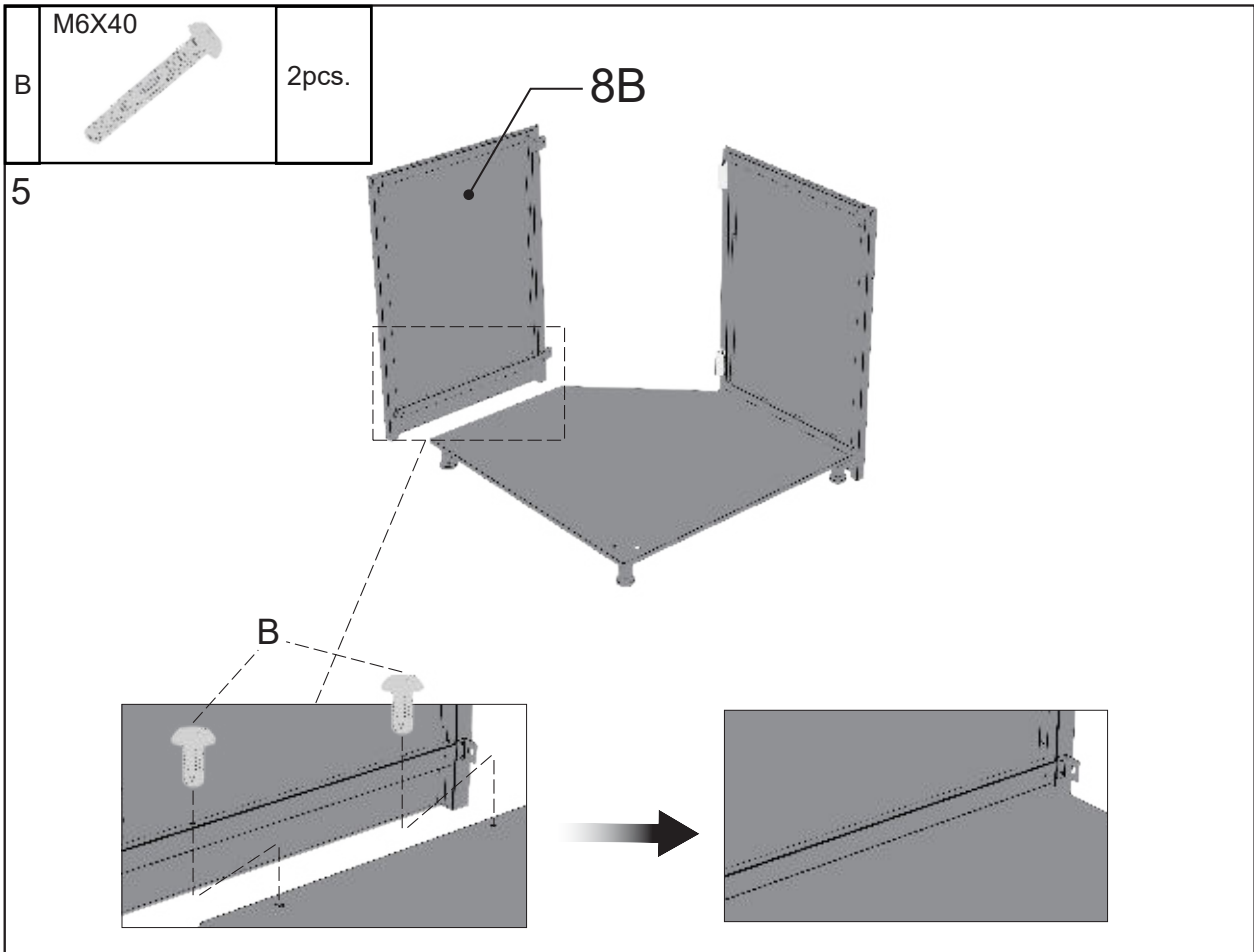




	M4X8-SS		
C		12pcs.	

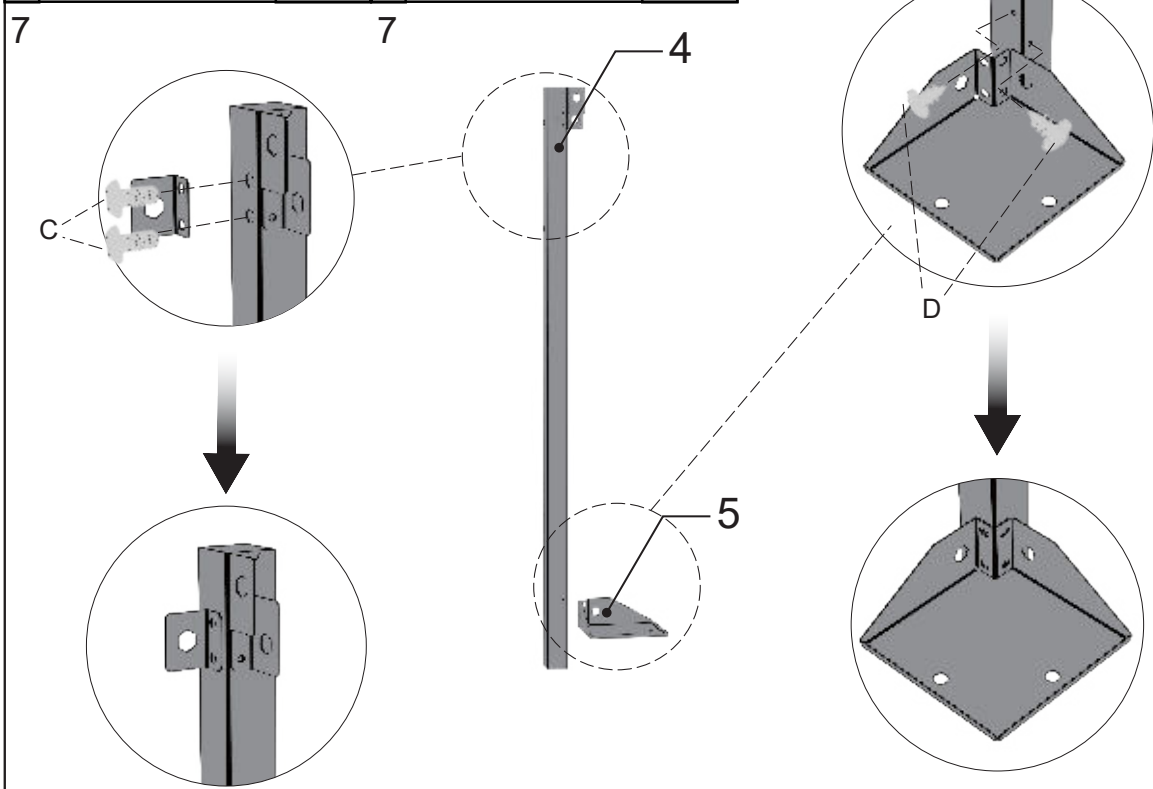



	M6X40		
B		2pcs.	

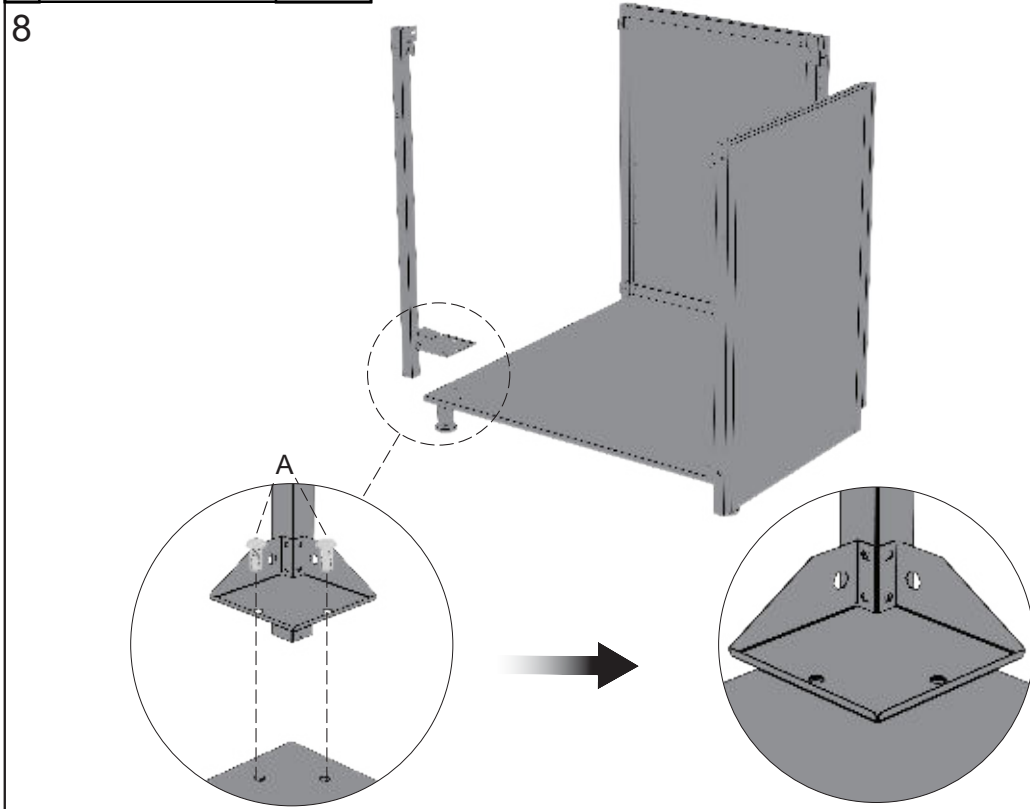






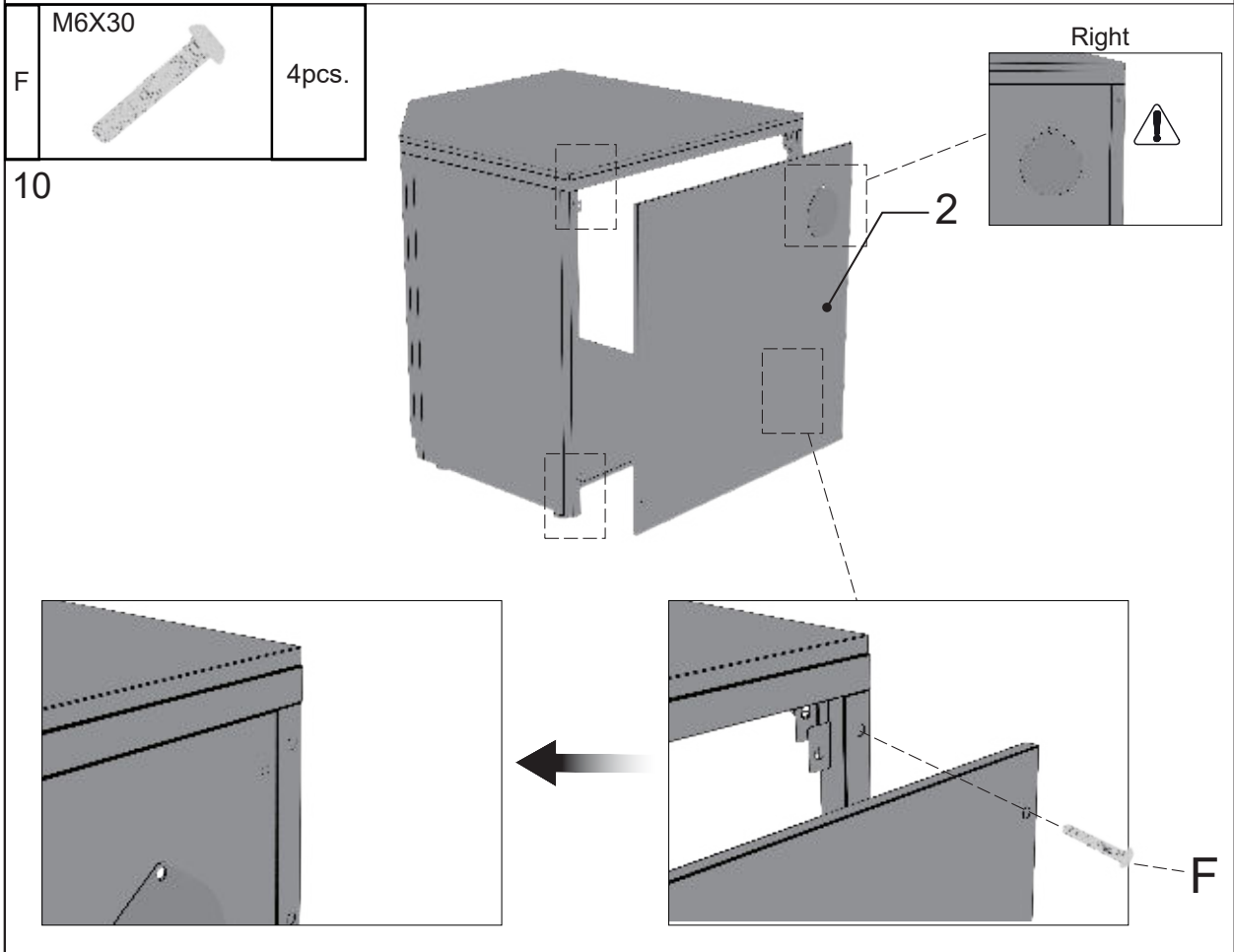
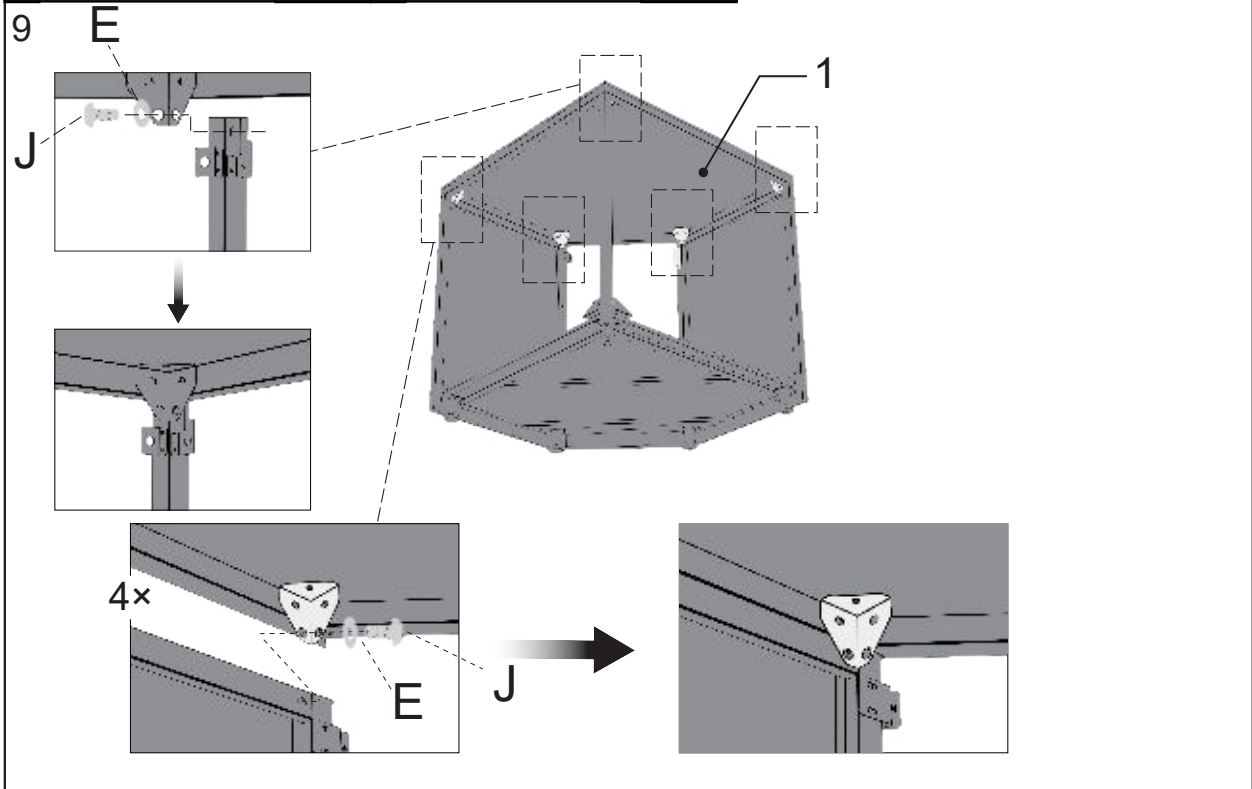
D	ST4.2X10 	2pcs.	C	M4X8-SS 	2pcs.
---	---	-------	---	--	-------

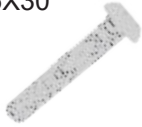


A	M6X12 	2pcs.
---	--	-------

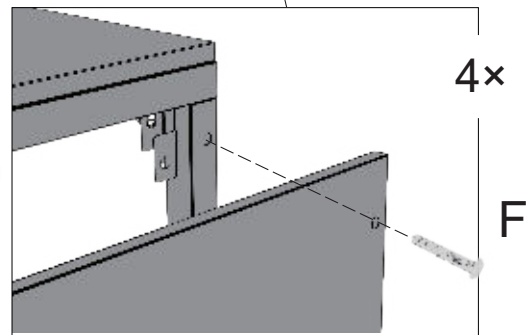
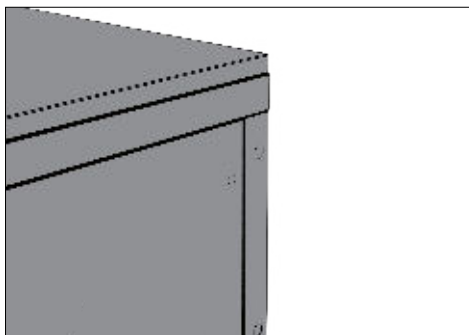
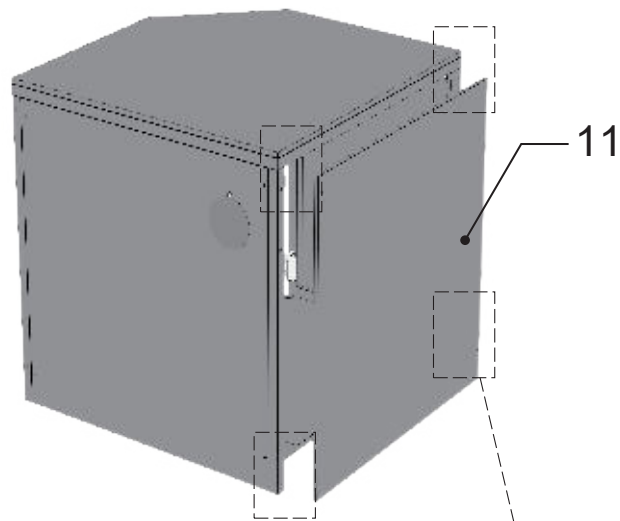


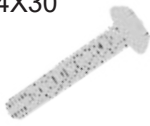
J	M6X12-SS 	5pcs.	E	$\phi 16 * \phi 6.5$ 	5pcs.
---	---	-------	---	---	-------



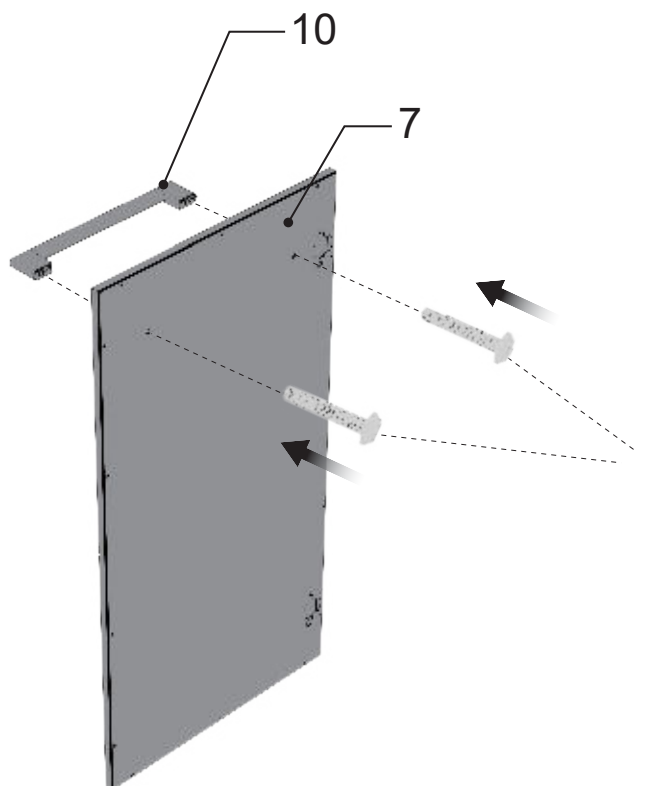
F	M6X30 	4pcs.
---	--	-------


11



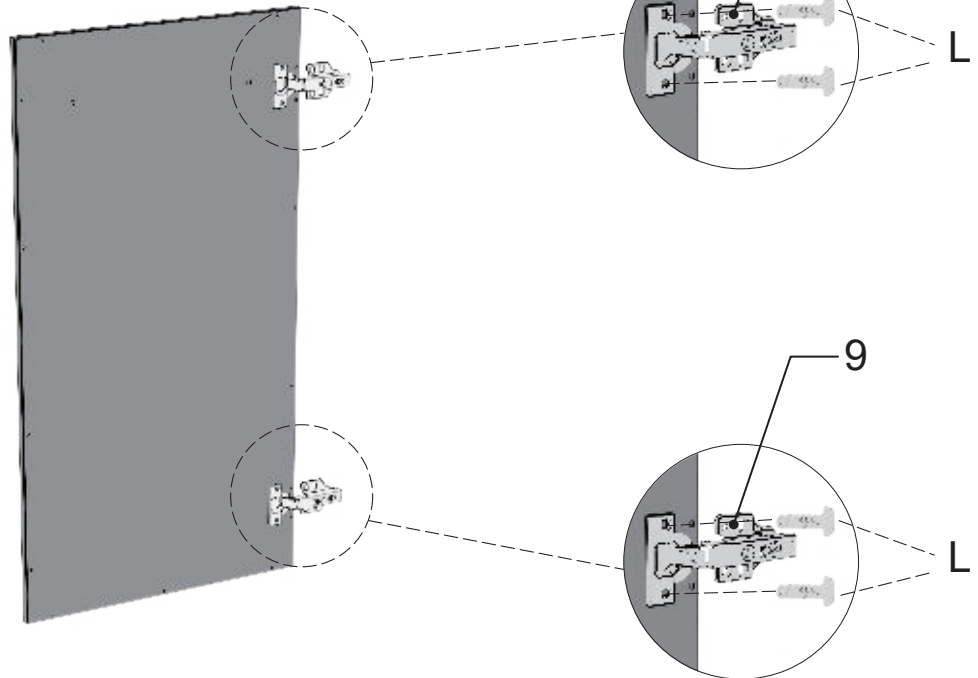
I	M4X30 	2pcs.
---	--	-------


12



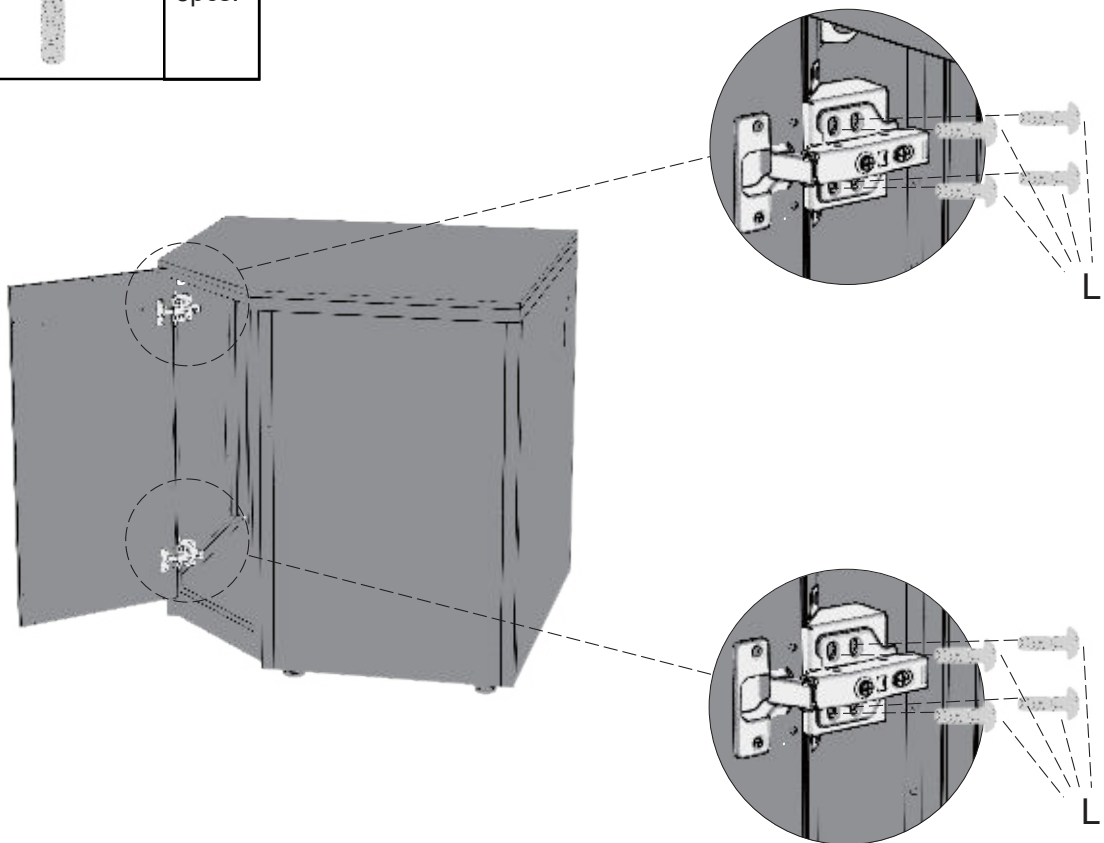
L	M4X12-SS 	4pcs.
---	---	-------

13



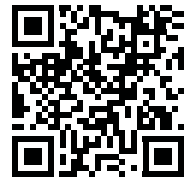
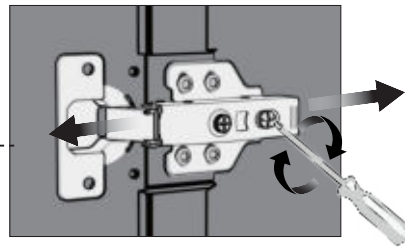
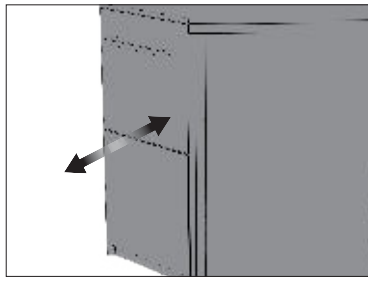
L	M4X12-SS 	8pcs.
---	---	-------

14

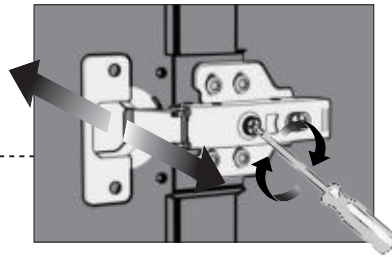
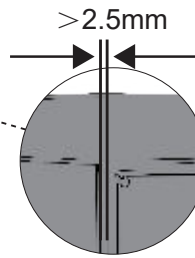
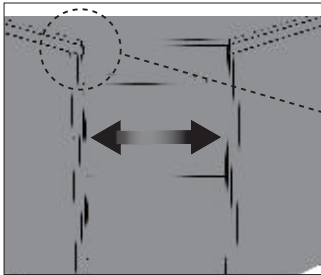


15

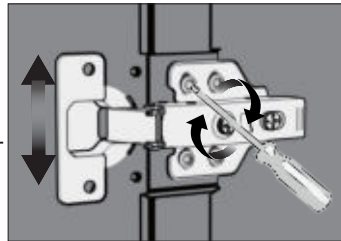
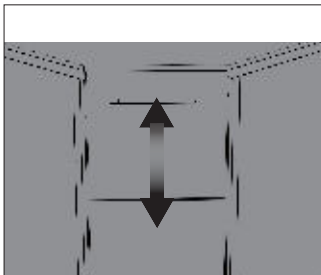
①



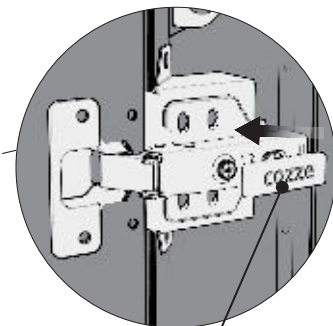
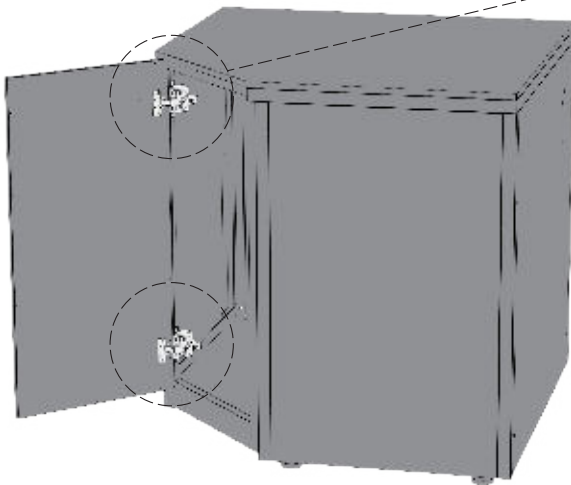
②



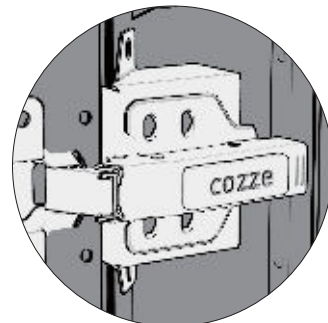
③



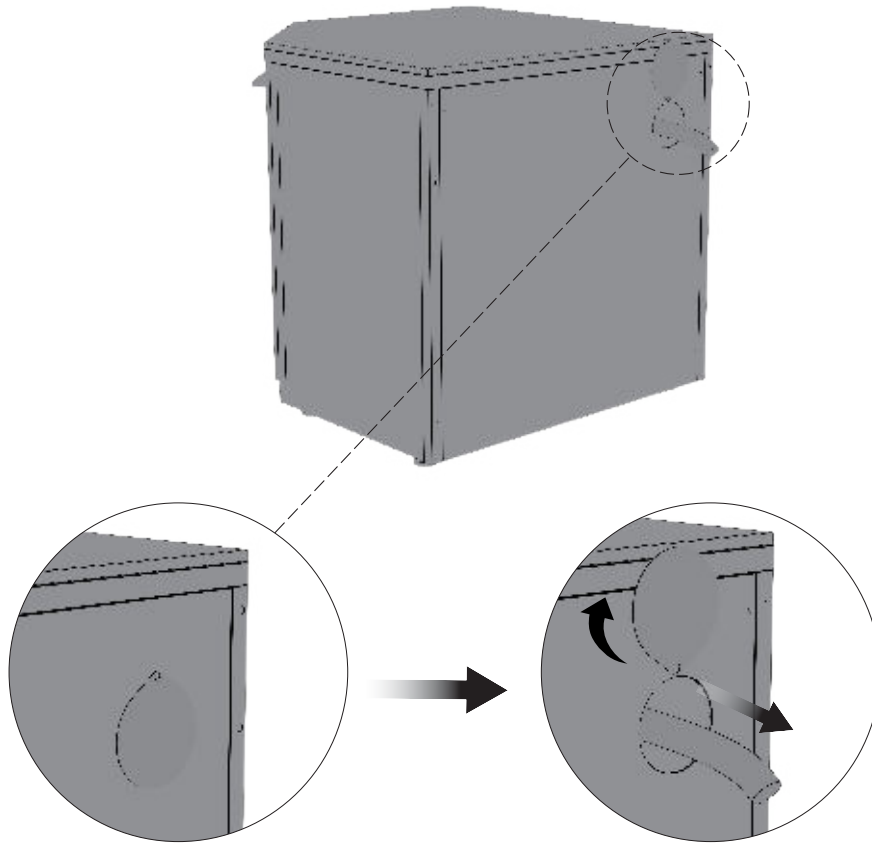
16



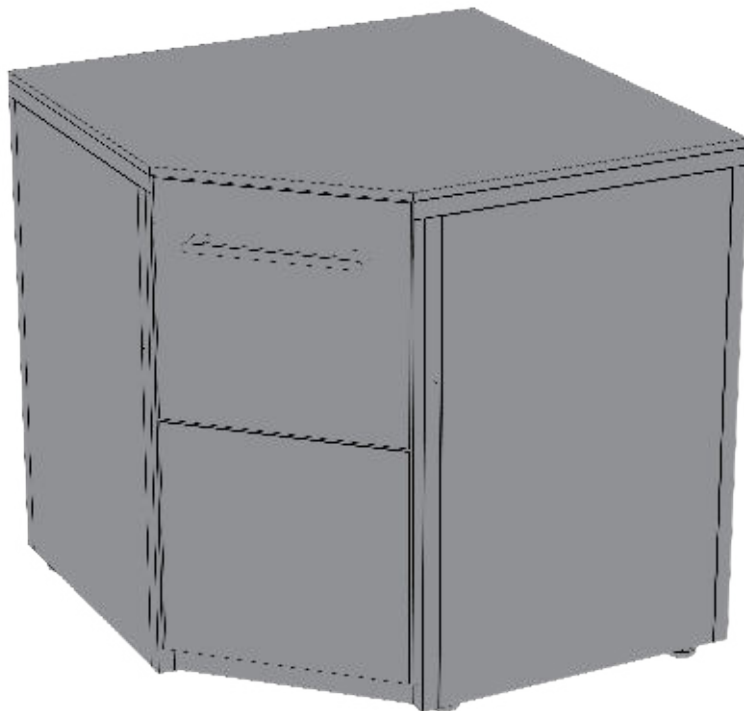
13



17



18



OK



FIND MORE INSPIRATION
AT COZZEBBQ.COM



Manufactured by
Millarco International A/S
Rokhøj 26, 8520 Lystrup - Denmark
www.millarco.com
www.cozzebbq.com



cozze®