



BRABURA

GRILLS



GRIDDLE CART

INSTRUCTIONS MANUAL / MANUAL DE INSTRUCCIONES / BEDIENUNGSANLEITUNG / MANUEL D'INSTRUCTIONS / MANUALE DI ISTRUZIONI

AVENIDA DE ALMENDRALEJO 6 VILAFRANCA DE LOS BARROS 06220 BADAJOZ SPAIN

CA ED03 | braburagrills.com

VALID FOR

VALIDO PARA / GÜLTIG FÜR / VALABLE POUR / VALIDO PER

BRABURA
GRILLS

Nº Modelo: BGC0001
INOX CART 40

Nº Modelo: BGC0002
INOX CART 30

Nº Modelo: BGC0003
INOX CART 20

Nº Modelo: BGC0004
MATTE CART 40

Nº Modelo: BGC0005
MATTE CART 30

Model No: BGC0006
MATTE CART 20

CONTENTS

ÍNDICE / INHALTSVERZEICHNIS / CONTENUS / INDICE

BRABURA
GRILLS

Introduction	5
Introducción / Einführung / Introduction / Introduzione	
Product dimensions	6
Dimensiones / Ausmaß / Dimensions / Dimensioni	
Parts list	8
Lista de piezas / Teileliste / Liste des pièces / Lista dei parti	
Components list	10
Lista de componentes / Komponentenliste / Liste des composants / Lista dei componenti	
Instructions	11
Instrucciones / Anweisungen / Instructions / Istruzioni	
Gas connections	34
Conexiones de gas / Gasanschlüsse / Raccordements de gaz / Collegamenti del gas	

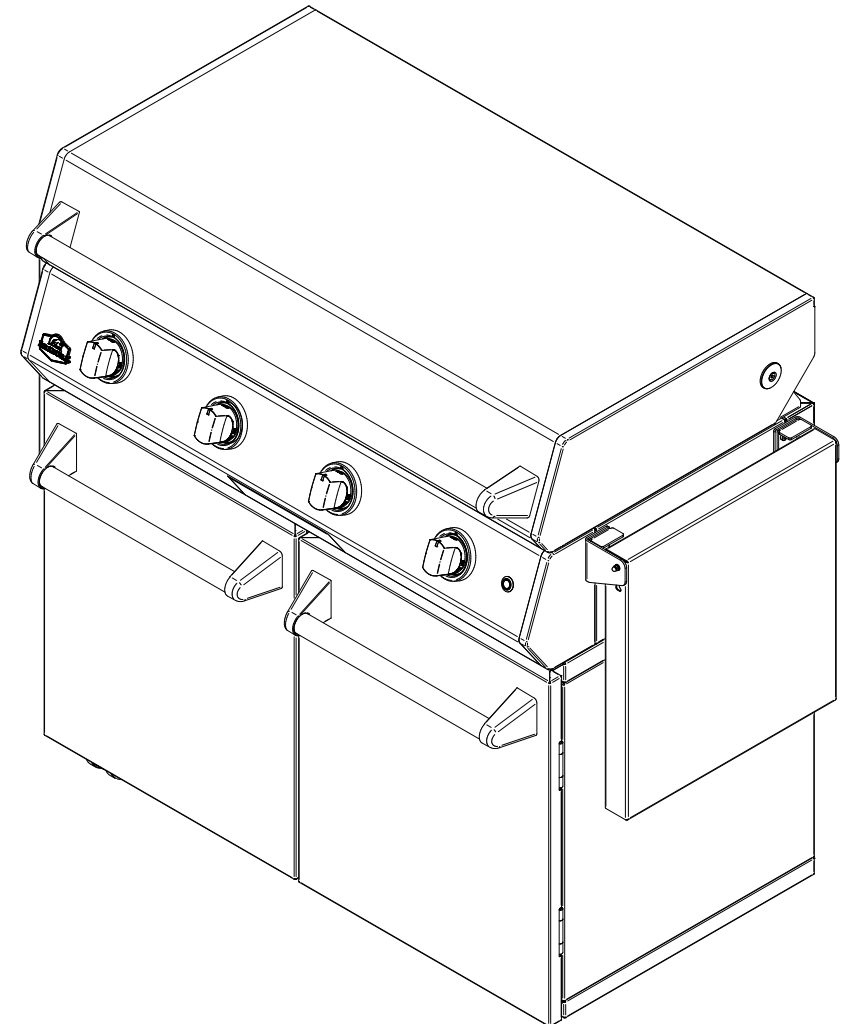
INTRODUCTION

INSTRUCCIONES / ANWEISUNGEN / INSTRUCTIONS / ISTRUZIONI

BRABURA
GRILLS

Welcome to your BRABURA Griddle Cart

- EN Save these instructions.**
- Read these instructions completely and carefully. Do not skip any step.
 - Some parts have sharp edges, take care when handling the various components to avoid injury.
 - Please wear gloves when handling.
 - Two or more people should work together to assemble the rolling cart and BRABURA Griddle.
- To contact us, visit <https://www.braburagrills.com/>.
- ES Guarda estas instrucciones.**
- Lea estas instrucciones completamente y con cuidado. No omitas ningún paso.
 - Algunas partes tienen bordes afilados, tenga cuidado al manipular los componentes para evitar lesiones.
 - Por favor, use guantes al manipular.
 - Dos o más personas deben trabajar juntas para ensamblar el carrito y la plancha BRABURA.
- Para contactarnos, visita <https://www.braburagrills.com/>.
- DE Bewahren Sie diese Anweisungen auf.**
- Lesen Sie diese Anweisungen vollständig und sorgfältig durch. Überspringen Sie keinen Schritt.
 - Einige Teile haben scharfe Kanten. Achten Sie beim Umgang mit den verschiedenen Komponenten darauf, um Verletzungen zu vermeiden. Bitte tragen Sie Handschuhe beim Umgang.
 - Zwei oder mehr Personen sollten zusammenarbeiten, um den Rollwagen und die BRABURA grillplatte zusammenzubauen.
- Um uns zu kontaktieren, besuchen Sie <https://www.braburagrills.com/>.
- FR Conservez ces instructions.**
- Lisez attentivement et intégralement ces instructions. Ne sautez aucune étape.
 - Certains éléments ont des bords tranchants, faites attention lors de la manipulation des composants pour éviter les blessures. Veuillez porter des gants lors de la manipulation.
 - Deux personnes ou plus doivent travailler ensemble pour assembler le chariot roulant et le Plancha BRABURA.
- Pour nous contacter, visitez <https://www.braburagrills.com/>.
- IT Salvare queste istruzioni.**
- Leggere attentamente e completamente queste istruzioni. Non omettere alcun passaggio.
 - Alcune parti hanno bordi affilati, fare attenzione durante la manipolazione dei componenti per evitare lesioni. Si prega di indossare i guanti durante la manipolazione.
 - Due o più persone dovrebbero lavorare insieme per assemblare il carrello con ruote e la piastra BRABURA.
- Per contattarci, visitare <https://www.braburagrills.com/>.



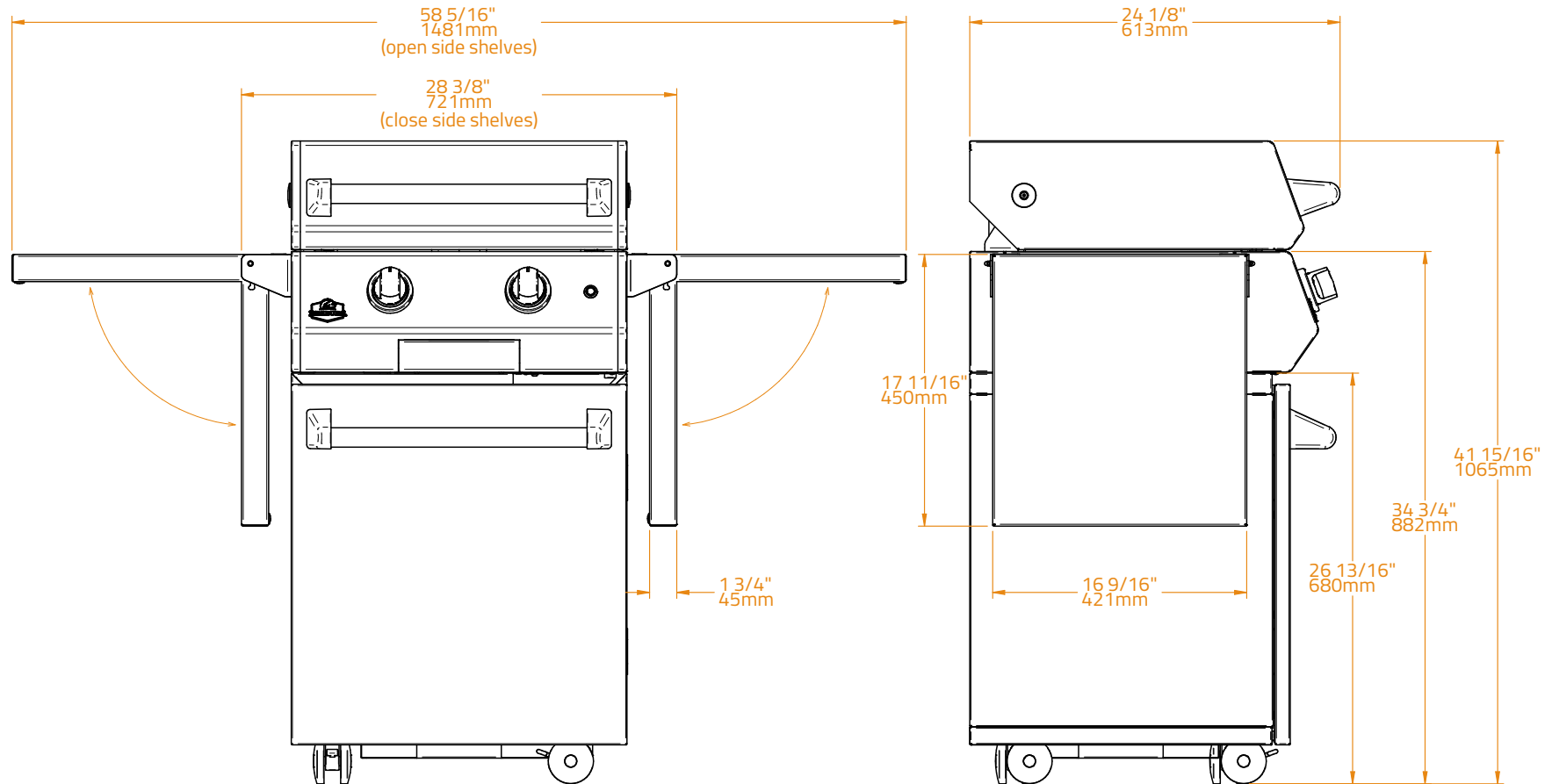
PRODUCT DIMENSIONS

DIMENSIONES / AUSMASS / DIMENSIONS/ DIMENSIONI

BRABURA

GRILLS

L CLASS 20" Cart



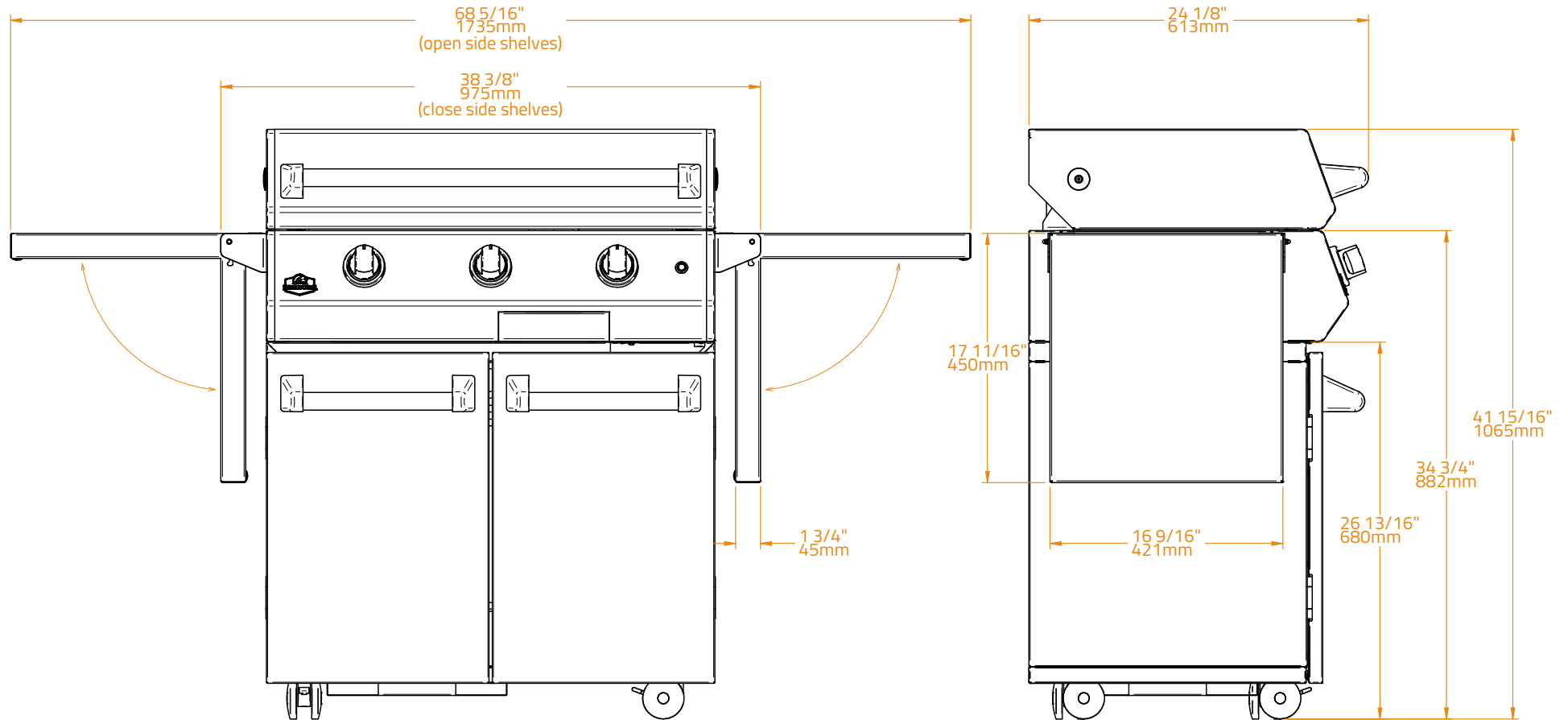
PRODUCT DIMENSIONS

DIMENSIONES / AUSMASS / DIMENSIONS/ DIMENSIONI

BRABURA

GRILLS

L CLASS 30" Cart



PARTS LIST

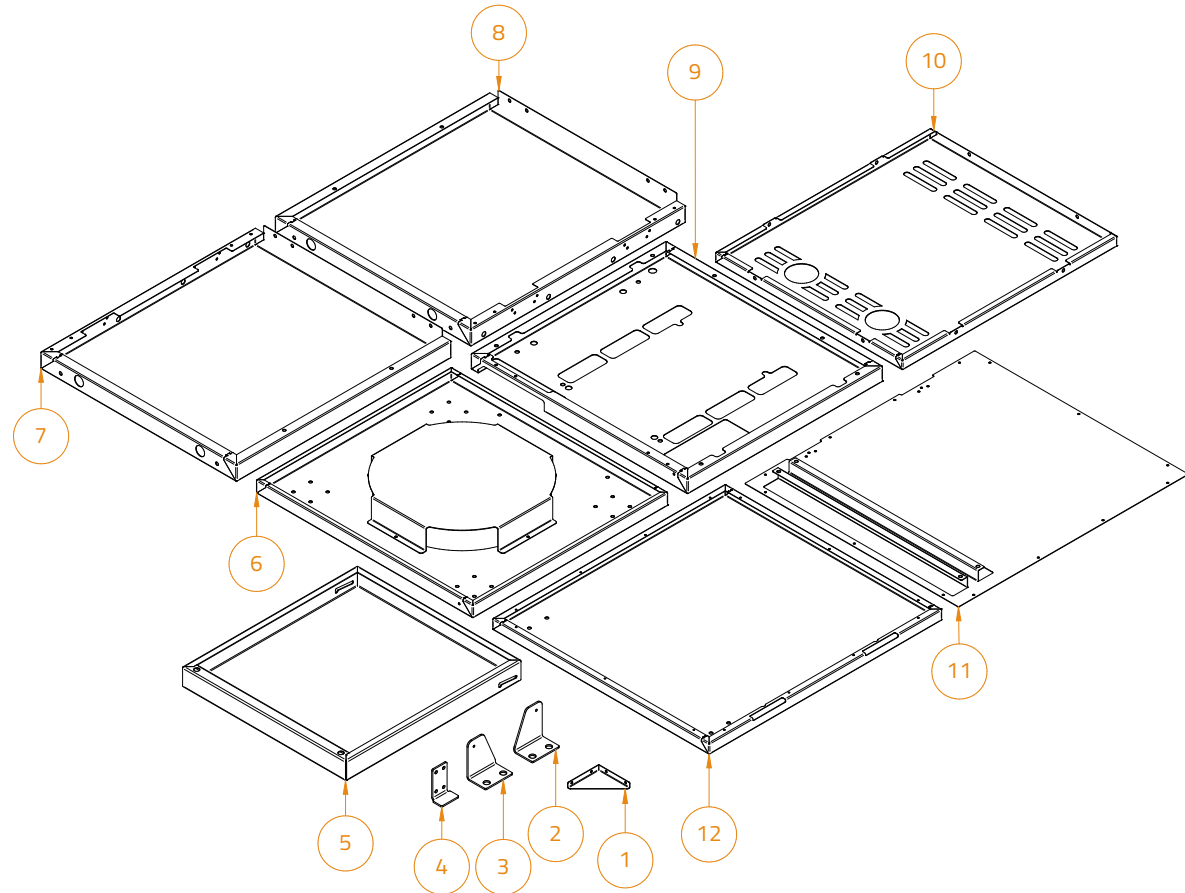
LISTA DE PIEZAS / TEILELISTE / LISTE DES PIÈCES / LISTA DEI PARTI

BRABURA

GRILLS

L CLASS 20" Cart

ITEM	NAME/NOMBRE/NAME/NOM/NOME	QTY
1	CORNER-BRACKET	4
2	D-BRACKET TRAY	2
3	S-BRACKET TRAY	2
4	LOCK-TRAY	4
5	TRAY	2
6	BOTTOM PLATE 20	1
7	R-LATERAL	1
8	L-LATERAL	1
9	TOP PLATE 20	1
10	REAR 20	1
11	DOOR 20	1 </td
12	SKIN 20	1



PARTS LIST

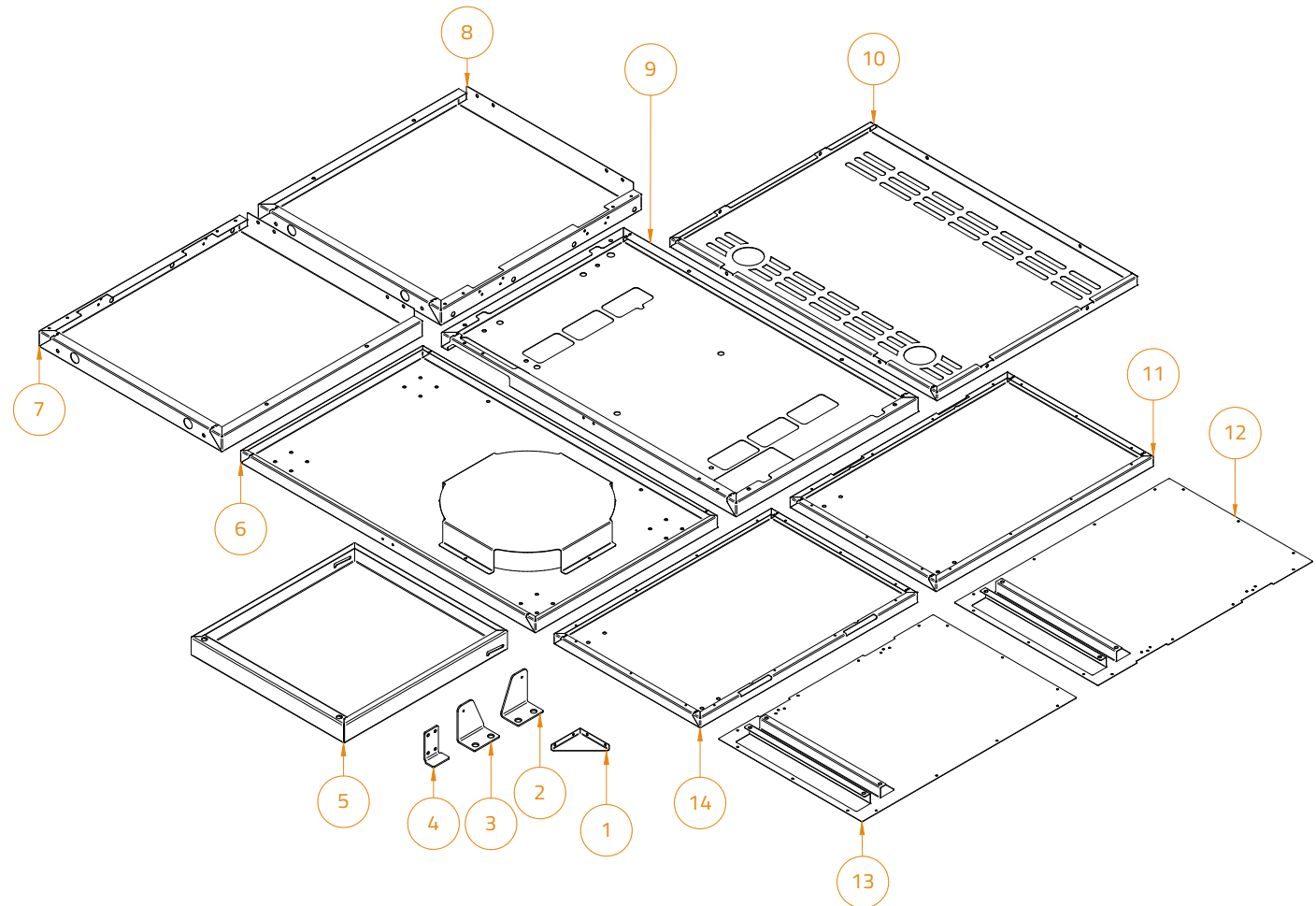
LISTA DE PIEZAS / TEILELISTE / LISTE DES PIÈCES / LISTA DEI PARTI

BRABURA

GRILLS

L CLASS 30" Cart

ITEM	NAME/NOMBRE/NAME/NOM/NOME	QTY
1	CORNER-BRACKET	4
2	D-BRACKET TRAY	2
3	S-BRACKET TRAY	2
4	LOCK-TRAY	4
5	TRAY	2
6	BOTTOM PLATE 30	1
7	R-LATERAL	1
8	L-LATERAL	1
9	TOP PLATE 30	1
10	REAR 30	1
11	L-DOOR 30	1
12	L-SKIN 30	1
13	R-SKIN 30	1
14	R-DOOR 30	1



PARTS LIST

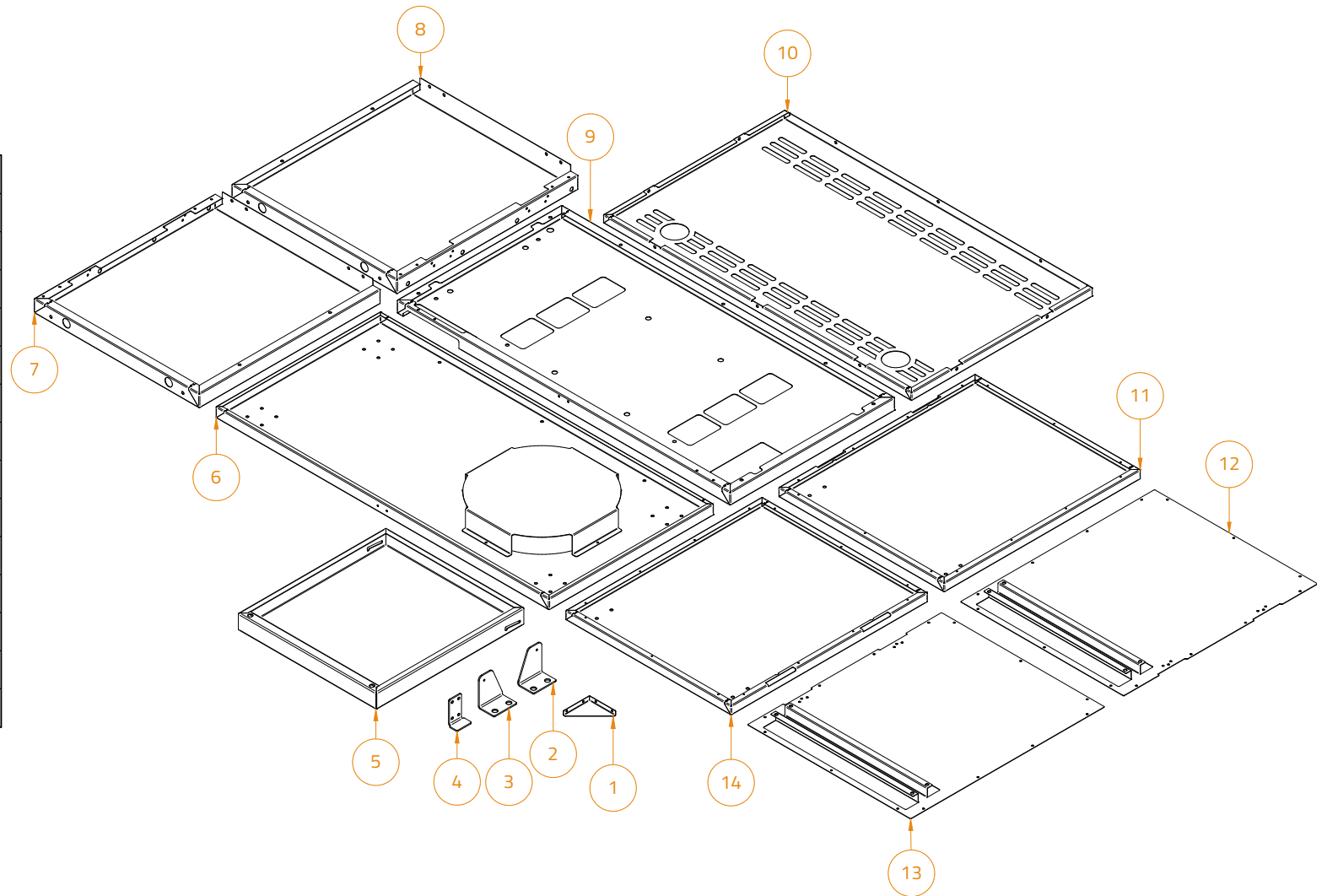
LISTA DE PIEZAS / TEILELISTE / LISTE DES PIÈCES / LISTA DEI PARTI

BRABURA

GRILLS

L CLASS 40" Cart

ITEM	NAME/NOMBRE/NAME/NOM/NOME	QTY
1	CORNER-BRACKET	4
2	D-BRACKET TRAY	2
3	S-BRACKET TRAY	2
4	LOCK-TRAY	4
5	TRAY	2
6	BOTTOM PLATE 40	1
7	R-LATERAL	1
8	L-LATERAL	1
9	TOP PLATE 40	1
10	REAR 40	1
11	L-DOOR 40	1
12	L-SKIN 40	1
13	R-SKIN 40	1
14	R-DOOR 40	1



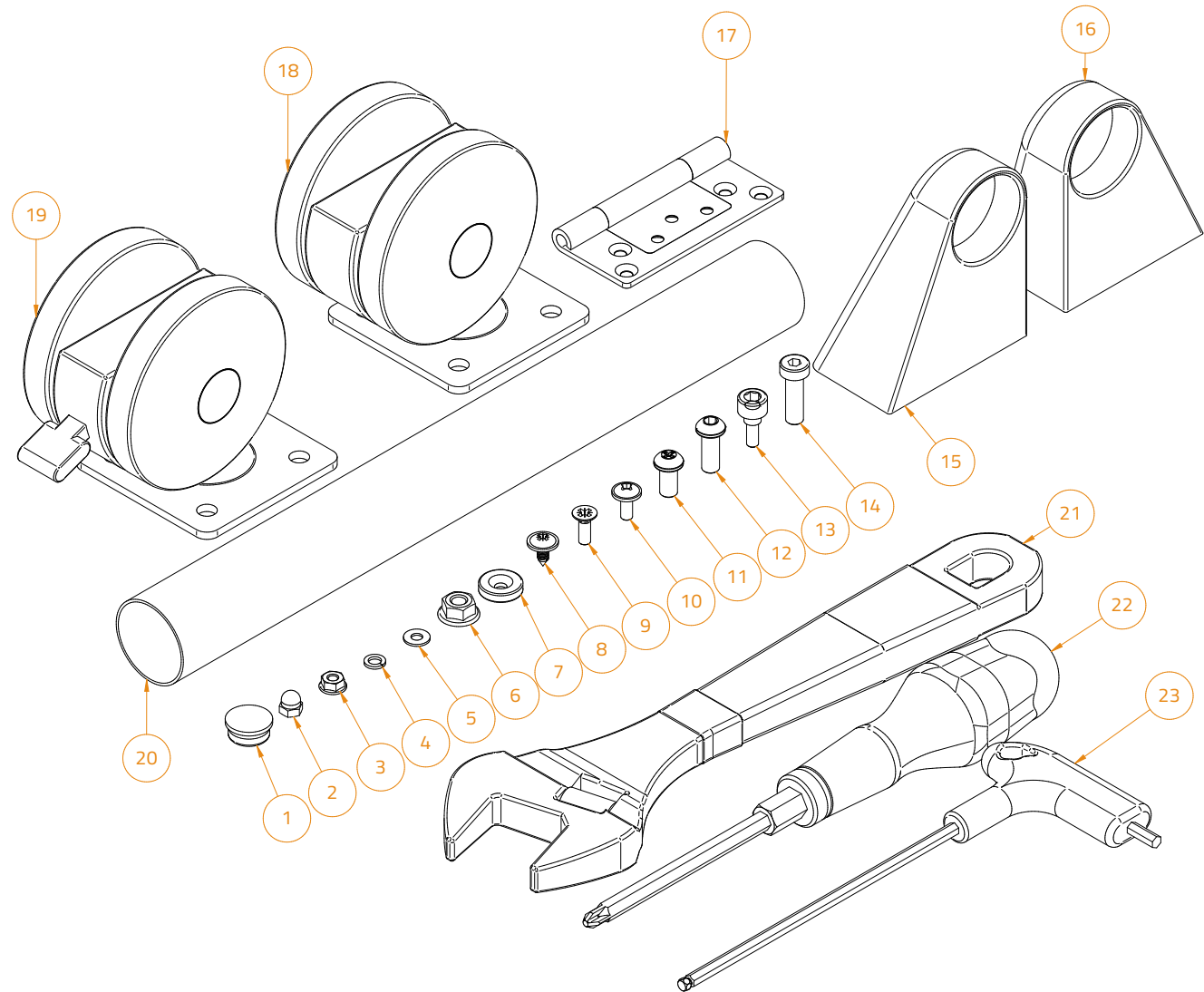
COMPONENTS LIST

COMPONENTES / KOMPONENTEN / COMPOSANTS / COMPONENTI

BRABURA

GRILLS

ITEM	NAME/NOMBRE/NAME/NOME/NOM	20" QTY	30" QTY	40" QTY
1	RUBBER BUMPER	4	4	4
2	ACORN NUT M4	4	4	4
3	KEPS NUT M4	32	48	48
4	GROWER WASHER	4	4	4
5	WASHER M4	4	4	4
6	KEPS NUT M6	32	32	34
7	MAGNETIC	2	4	4
8	SCREW SELF-TAPPING	14	28	28
9	SCREW M4x10 COUNTERSINK	16	32	32
10	SCREW M4x10	16	16	16
11	SCREW M6x12	4	8	8
12	SCREW M6x16	38	38	40
13	AXIS SCREW M4	4	4	4
14	SCREW M6x20	8	8	8
15	R-ENDCAP	1	2	2
16	L-ENDCAP	1	2	2
17	HINGE	2	4	4
18	SWIVEL CASTERS	2	2	2
19	SWIVEL LOCKING CASTERS	2	2	2
20	HANDLE	1	2	2
20	ADJUSTABLE WRENCH *	-	-	-
21	SCREWDRIVER PHILLIPS-TIP *	-	-	-
22	ALLEN WRENCH *	-	-	-



*No included / No incluido / Nicht inbegriffen / Non inclus / Non incluso

INSTRUCTIONS

INSTRUCCIONES / ANWEISUNGEN / INSTRUCTIONS / ISTRUZIONI

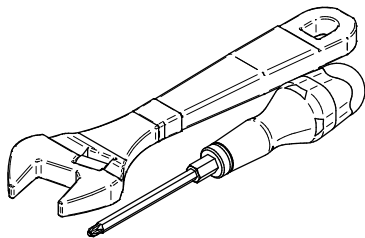
BRABURA

GRILLS

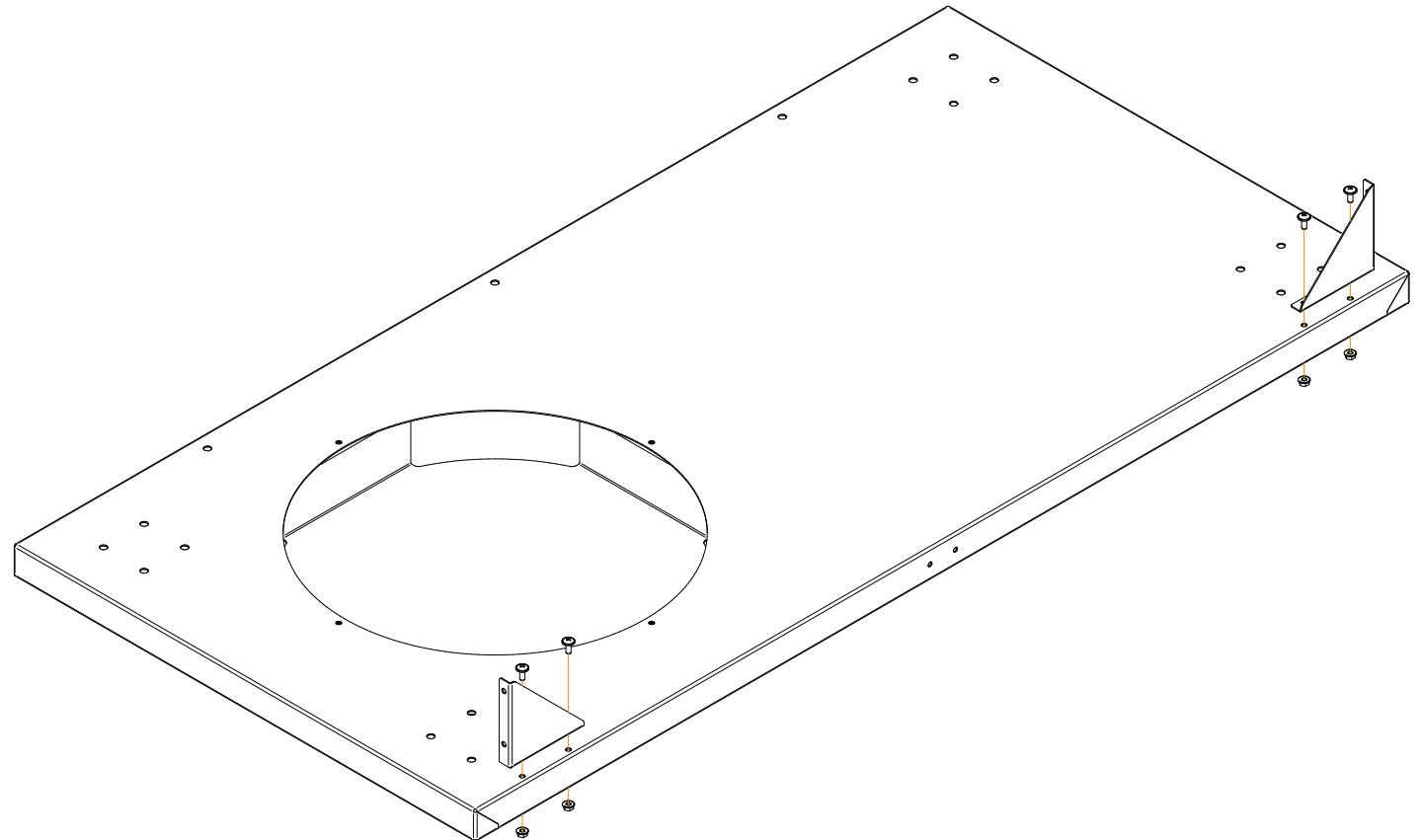
01 Step Bottom plate + Corner-Bracket
Paso
Schritt
Étape
Passo



COMPONENTS	40"	30"	20"
KEPS NUT M4	4	4	4
SCREW M4x10	4	4	4



TOOLS REQUIRED
ADJUSTABLE WRENCH
SCREWDRIVER PHILLIPS-TIP



* Example Image: CART L CLASS 40"

INSTRUCTIONS

INSTRUCCIONES / ANWEISUNGEN / INSTRUCTIONS / ISTRUZIONI

BRABURA

GRILLS

02

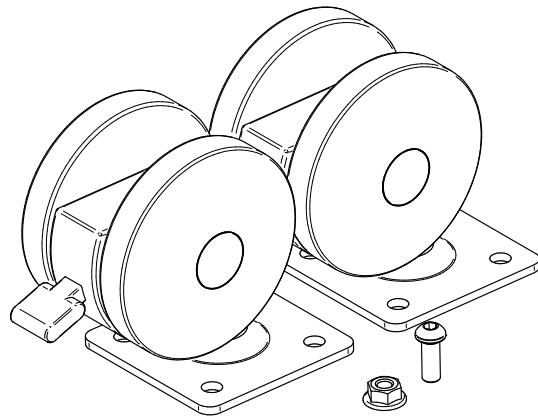
Step R-Lateral + L-Lateral + Bottom plate

Paso

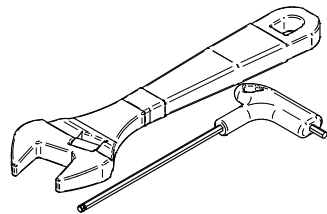
Schritt

Étape

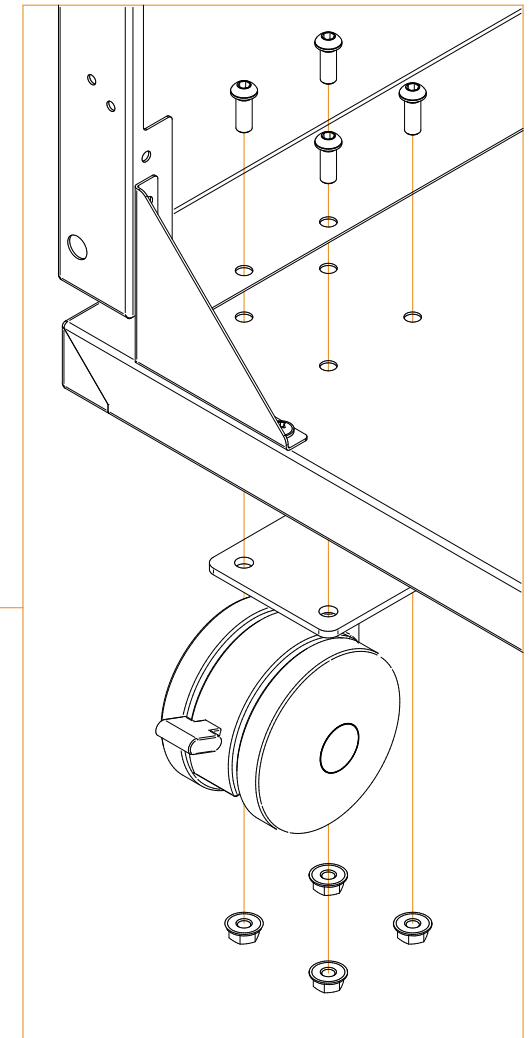
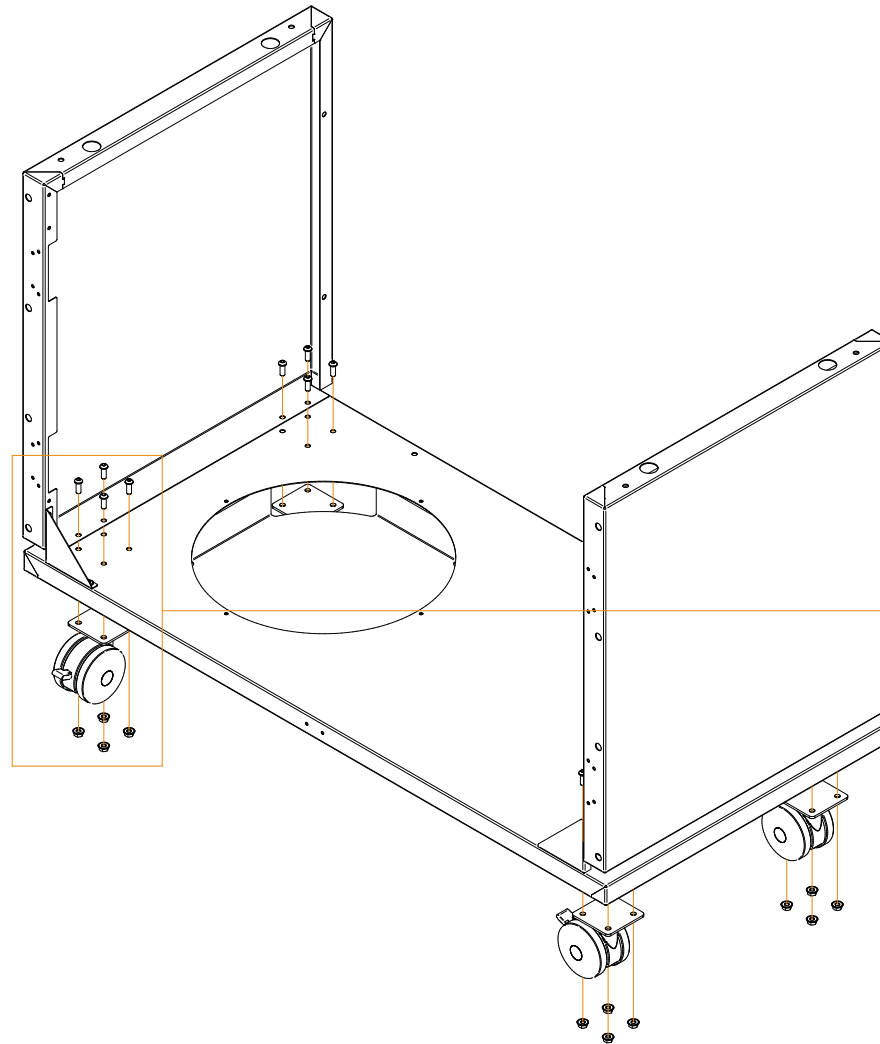
Passo



COMPONENTS	40"	30"	20"
KEPS NUT M6	16	16	16
SCREW M6x16	16	16	16
SWIVEL CASTERS	2	2	2
SWIVEL LOCKING CASTERS	2	2	2



TOOLS REQUIRED
ADJUSTABLE WRENCH
ALLEN WRENCH



* Example Image: CART L CLASS 40"

INSTRUCTIONS

INSTRUCCIONES / ANWEISUNGEN / INSTRUCTIONS / ISTRUZIONI

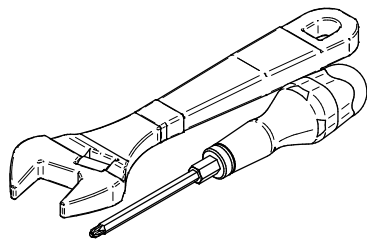
BRABURA

GRILLS

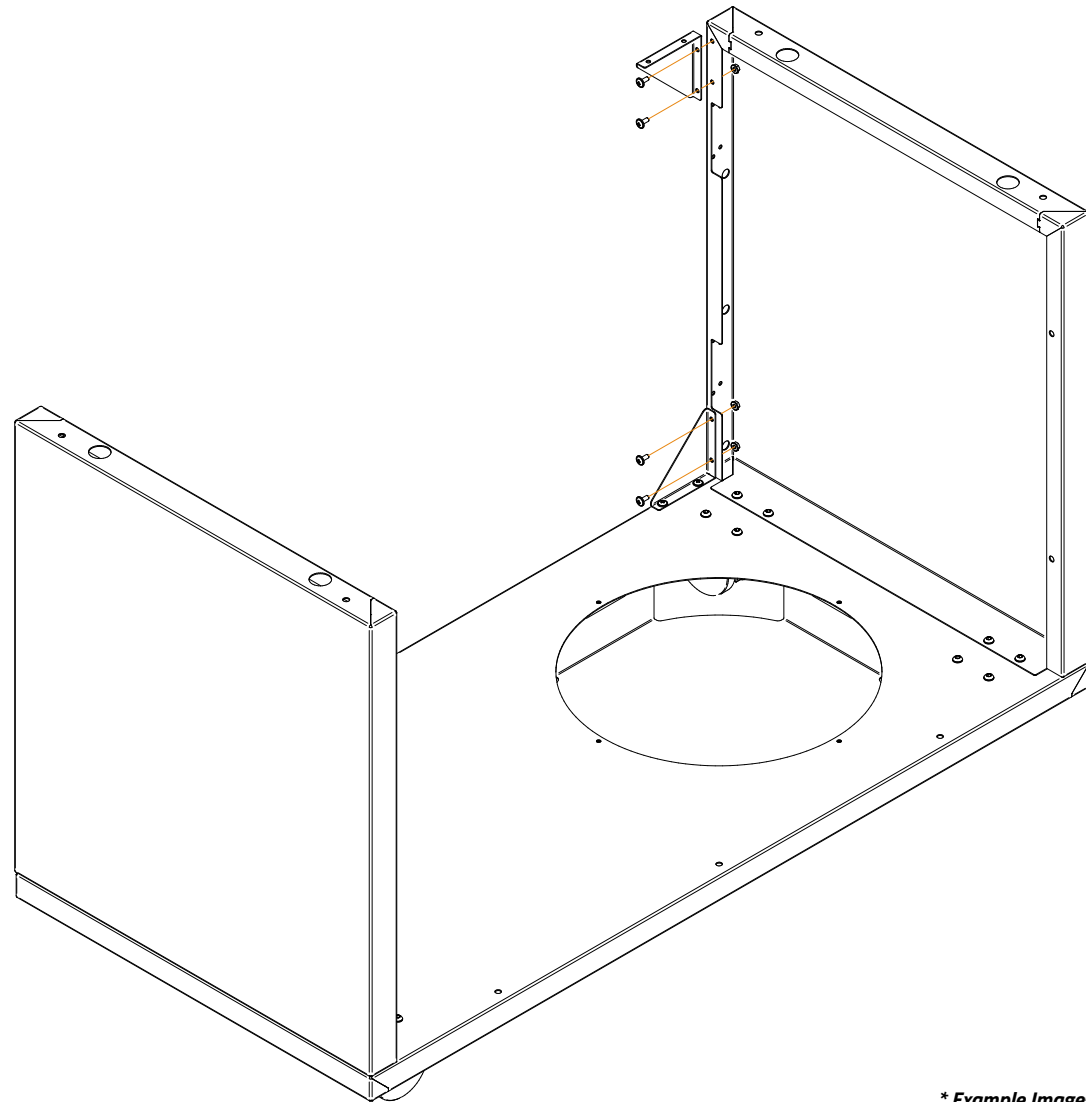
03 Step Corner-Brackets
Paso
Schritt
Étape
Passo



COMPONENTS	40"	30"	20"
KEPS NUT M4	4	4	4
SCREW M4x10	4	4	4



TOOLS REQUIRED
ADJUSTABLE WRENCH
SCREWDRIVER PHILLIPS-TIP



* Example Image: CART L CLASS 40"

INSTRUCTIONS

INSTRUCCIONES / ANWEISUNGEN / INSTRUCTIONS / ISTRUZIONI

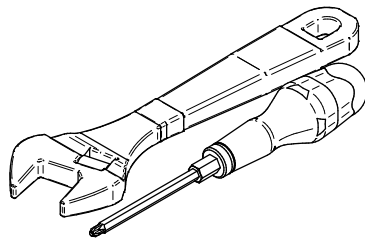
BRABURA

GRILLS

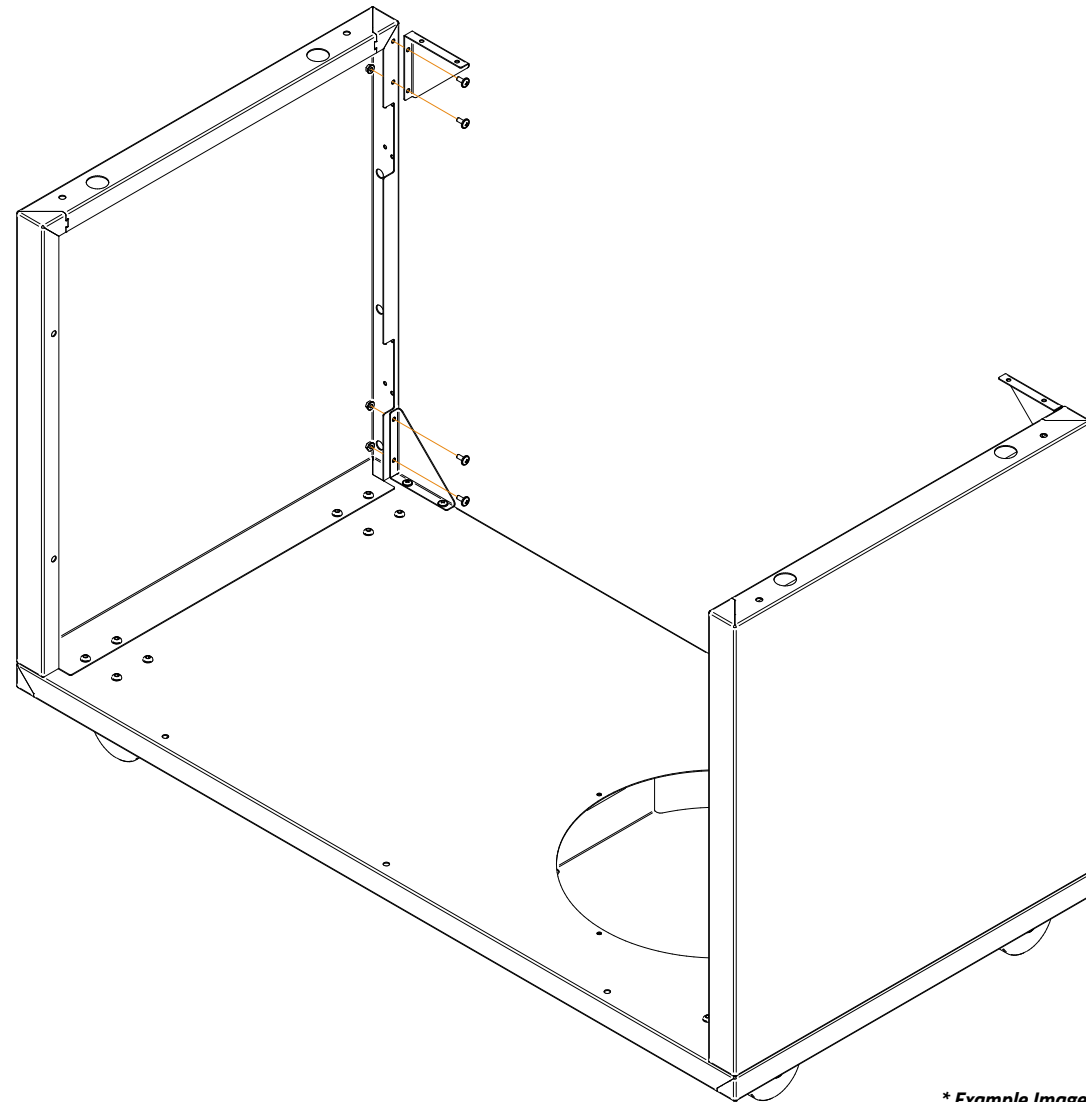
04 Step Corner-Brackets
Paso
Schritt
Étape
Passo



COMPONENTS	40"	30"	20"
KEPS NUT M4	4	4	4
SCREW M4x10	4	4	4



TOOLS REQUIRED
ADJUSTABLE WRENCH
SCREWDRIVER PHILLIPS-TIP



* Example Image: CART L CLASS 40"

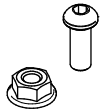
INSTRUCTIONS

INSTRUCCIONES / ANWEISUNGEN / INSTRUCTIONS / ISTRUZIONI

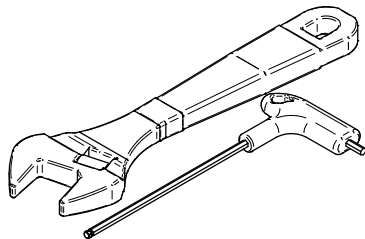
BRABURA

GRILLS

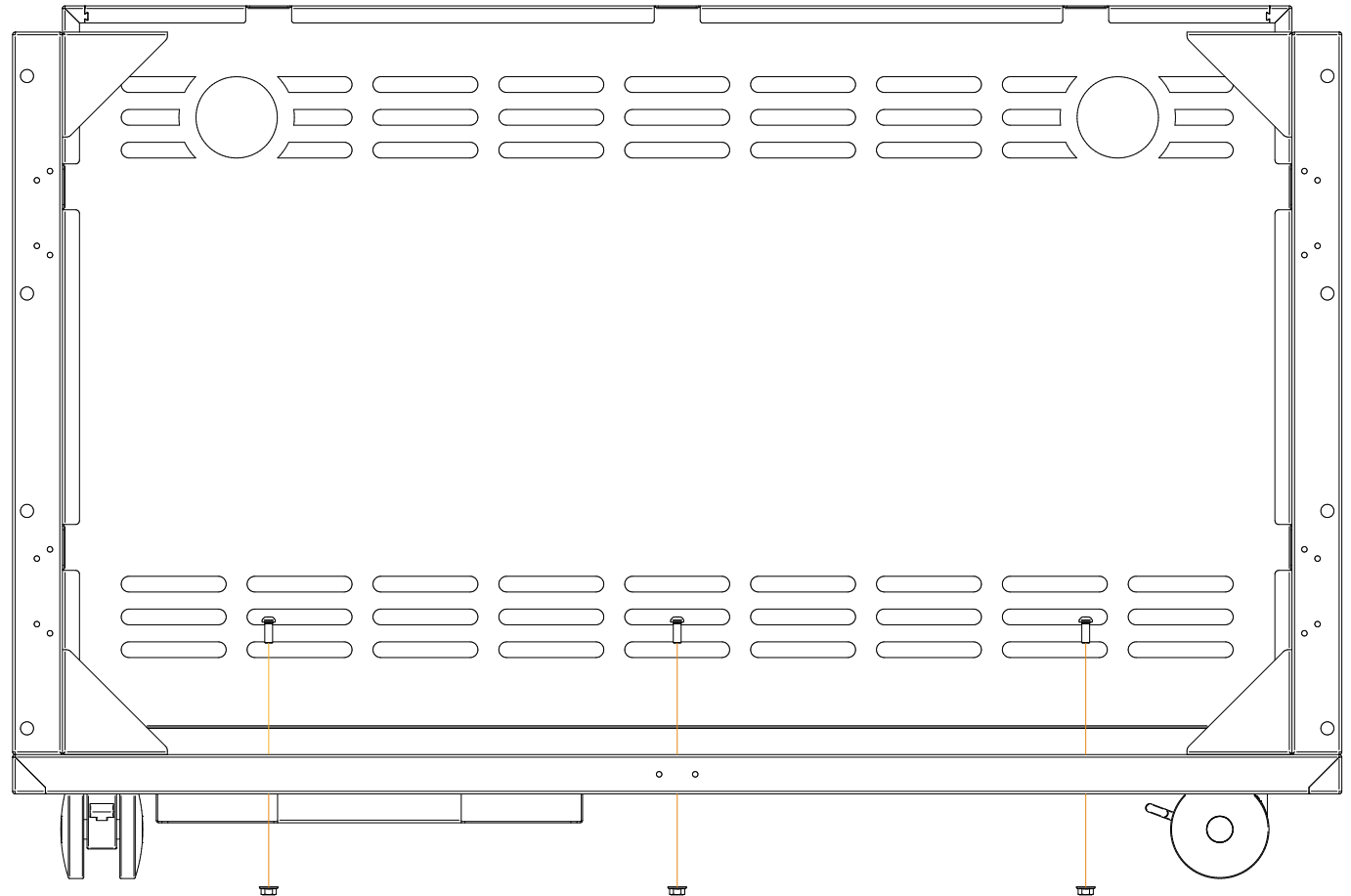
05 Step Rear + Bottom plate
Paso
Schritt
Étape
Passo



COMPONENTS	40"	30"	20"
KEPS NUT M6	3	2	2
SCREW M6x16	3	2	2



TOOLS REQUIRED
ADJUSTABLE WRENCH
ALLEN WRENCH



* Example Image: CART L CLASS 40"

INSTRUCTIONS

INSTRUCCIONES / ANWEISUNGEN / INSTRUCTIONS / ISTRUZIONI

BRABURA

GRILLS

06

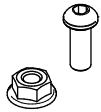
Step Rear + L-Lateral

Paso

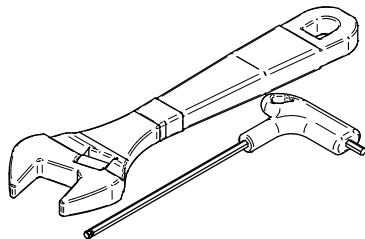
Schritt

Étape

Passo



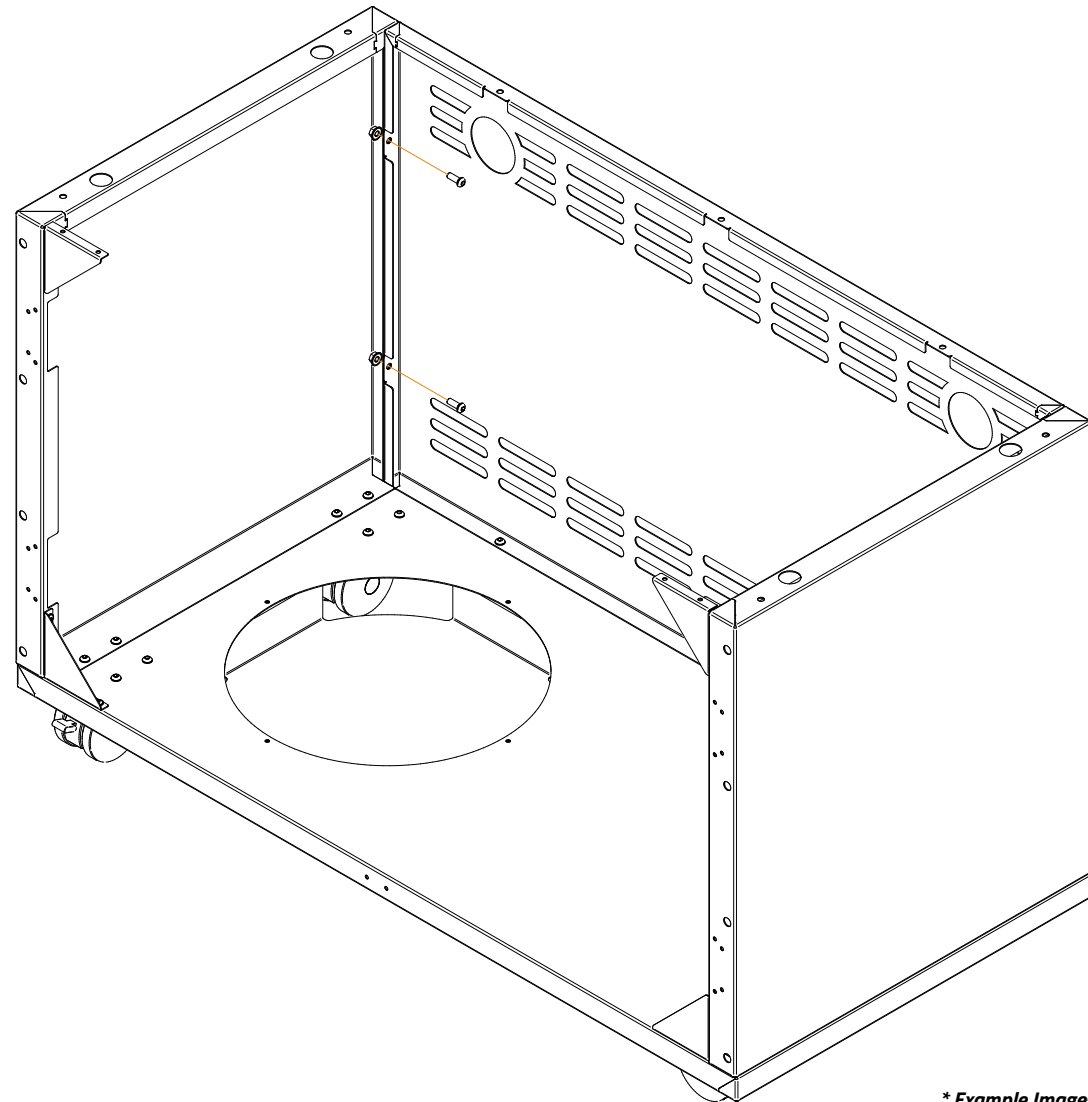
COMPONENTS	40"	30"	20"
KEPS NUT M6	2	2	2
SCREW M6x16	2	2	2



TOOLS REQUIRED

ADJUSTABLE WRENCH

ALLEN WRENCH



** Example Image: CART L CLASS 40"*

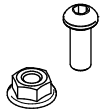
INSTRUCTIONS

INSTRUCCIONES / ANWEISUNGEN / INSTRUCTIONS / ISTRUZIONI

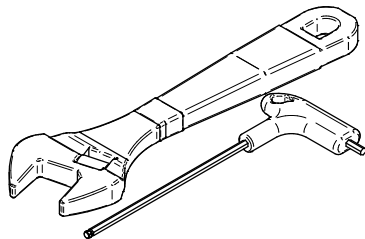
BRABURA

GRILLS

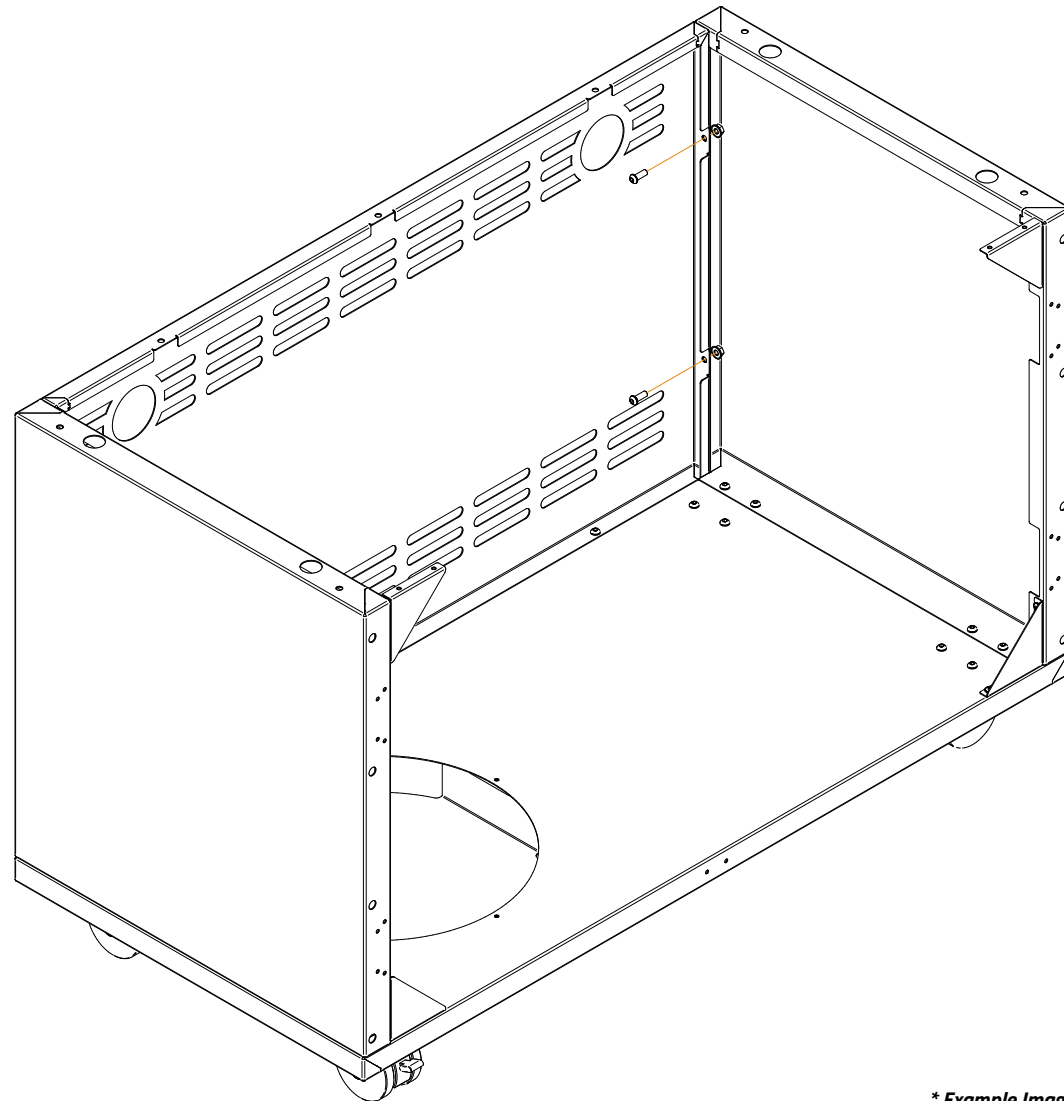
07 Step Rear + R-Lateral
Paso
Schritt
Étape
Passo



COMPONENTS	40"	30"	20"
KEPS NUT M6	2	2	2
SCREW M6x16	2	2	2



TOOLS REQUIRED
ADJUSTABLE WRENCH
ALLEN WRENCH



* Example Image: CART L CLASS 40"

INSTRUCTIONS

INSTRUCCIONES / ANWEISUNGEN / INSTRUCTIONS / ISTRUZIONI

BRABURA

GRILLS

08

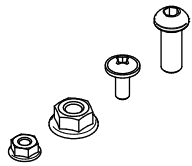
Step Top plate + L-Lateral + R-Lateral + Corner-Brackets

Paso

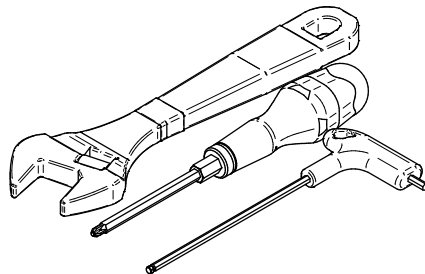
Schritt

Étape

Passo



COMPONENTS	40"	30"	20"
WASHER M4	4	4	4
KEPS NUT M6	4	4	4
SCREW M6x16	4	4	4
SCREW M4x10	4	4	4

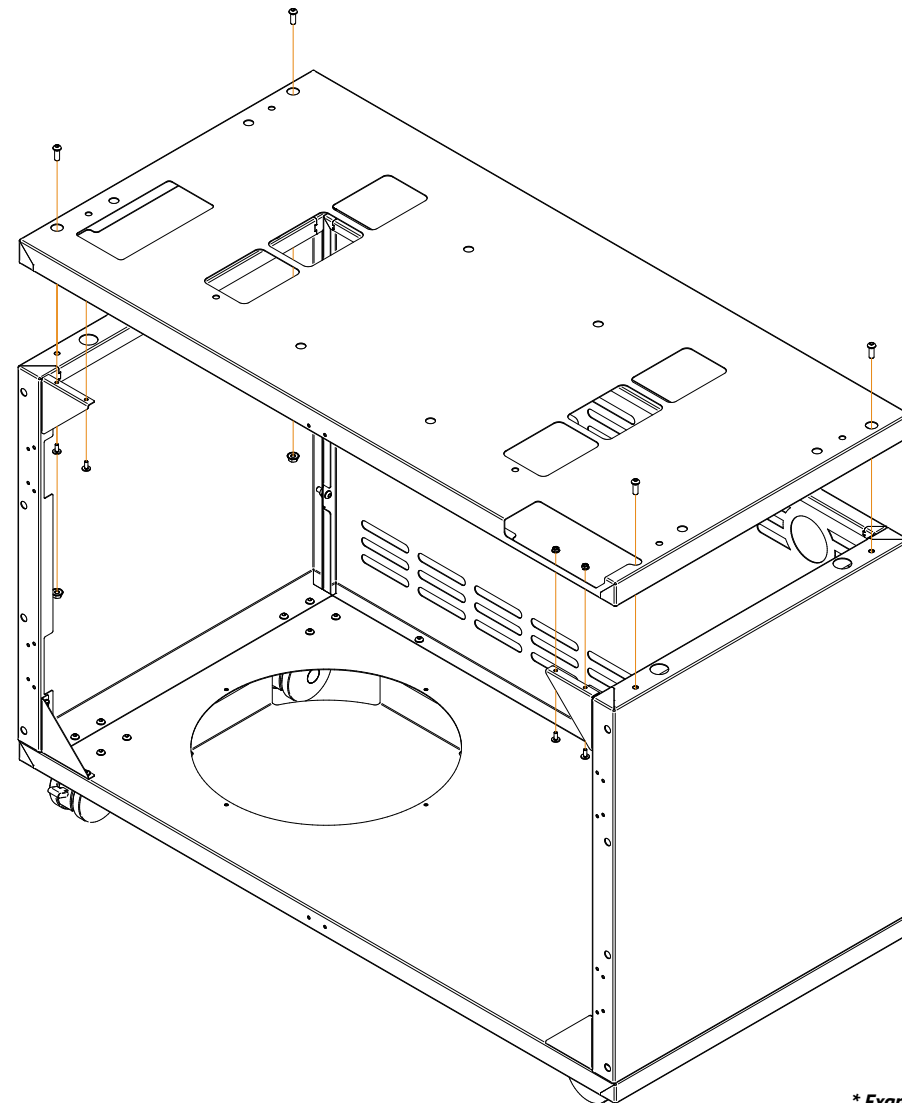


TOOLS REQUIRED

ADJUSTABLE WRENCH

SCREWDRIVER

ALLEN WRENCH



* Example Image: CART L CLASS 40"

INSTRUCTIONS

INSTRUCCIONES / ANWEISUNGEN / INSTRUCTIONS / ISTRUZIONI

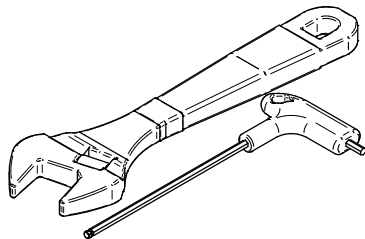
BRABURA

GRILLS

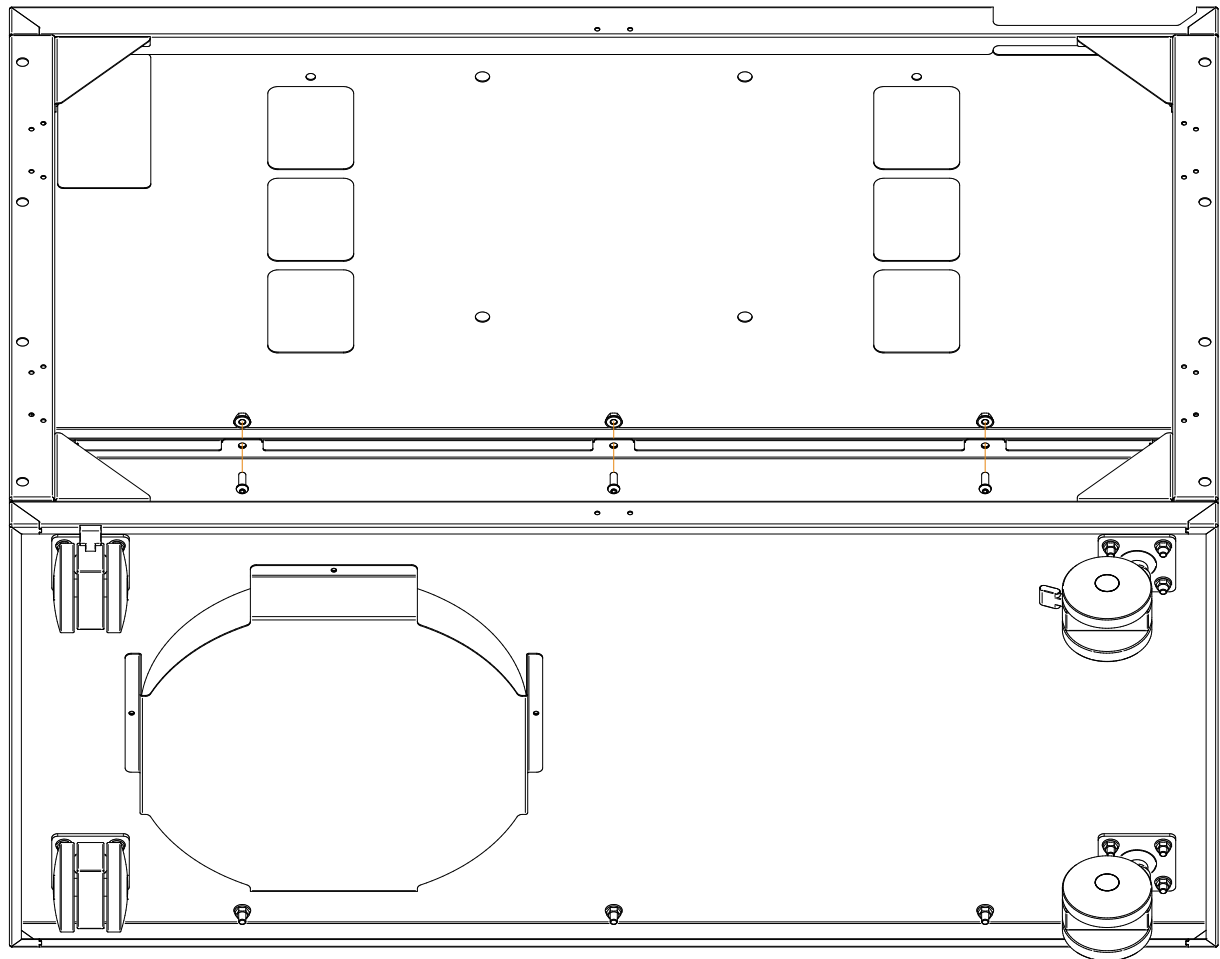
09 Step Top plate + Rear
Paso
Schritt
Étape
Passo



COMPONENTS	40"	30"	20"
KEPS NUT M6	3	2	2
SCREW M6x16	3	2	2



TOOLS REQUIRED
ADJUSTABLE WRENCH
ALLEN WRENCH



* Example Image: CART L CLASS 40"

INSTRUCTIONS

INSTRUCCIONES / ANWEISUNGEN / INSTRUCTIONS / ISTRUZIONI

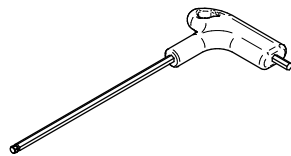
BRABURA GRILLS

10 Step Top plate + Plancha BRABURA

Paso
Schritt
Étape
Passo

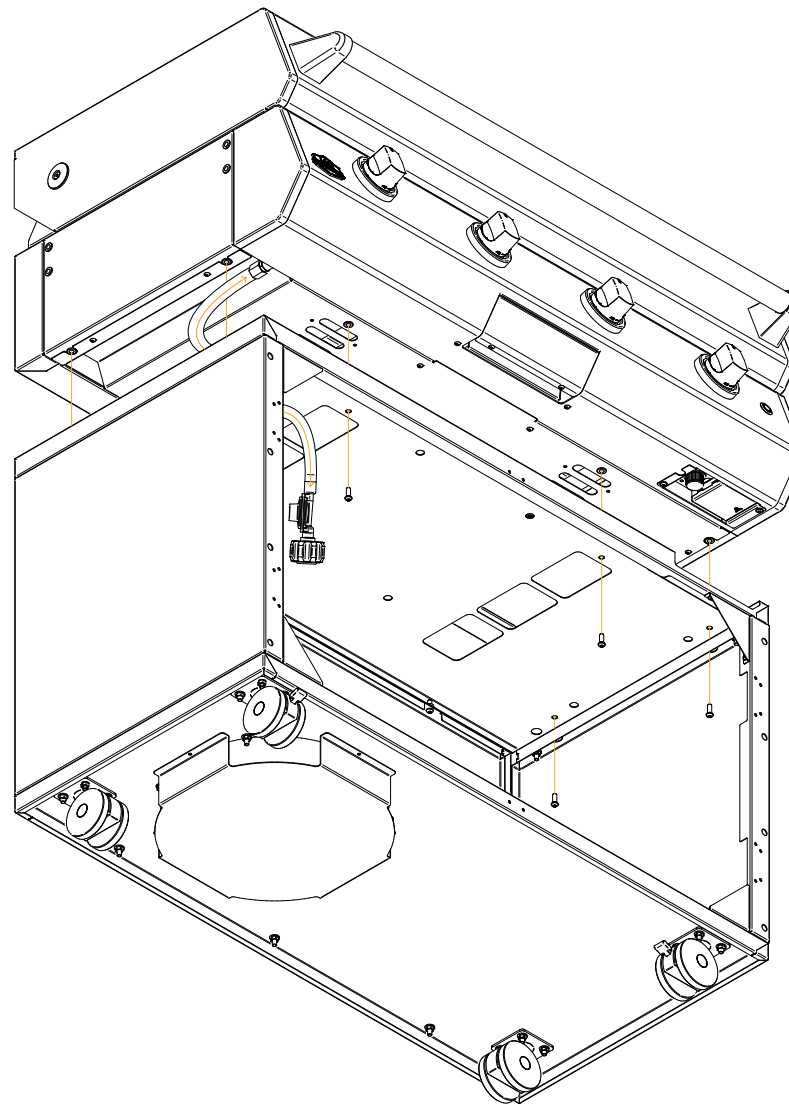


COMPONENTS	40"	30"	20"
SCREW M6x16	6	6	6



TOOLS REQUIRED

ALLEN WRENCH



EN Gas Connection
Leave the gas hose with regulator connected to the griddle and pass it through the hole in the upper panel of the cart. Use two people to complete this assembly step.

ES Conexión de Gas
Deje la manguera de gas con regulador conectada a la plancha y pásela por el orificio del panel superior del carro. Use dos personas para completar este paso de montaje.

DE Gasanschlüsse
Lassen Sie den Gasschlauch mit Regler an der Grillplatte angeschlossen und führen Sie ihn durch das Loch in der oberen Platte des Wagens. Verwenden Sie zwei Personen, um diesen Montageschritt abzuschließen.

FR Raccordement a gaz
Je laisse le tuyau de gaz avec le régulateur connecté à la plancha et je le passe à travers le trou dans le panneau supérieur du chariot. Utilisez deux personnes pour accomplir cette étape d'assemblage.

IT Collegamento del gas
Lascia il tubo del gas con il regolatore collegato alla piastra e passalo attraverso il foro nel pannello superiore del carrello. Usa due persone per completare questo passaggio di montaggio.

* Example Image: CART L CLASS 40"

INSTRUCTIONS

INSTRUCCIONES / ANWEISUNGEN / INSTRUCTIONS / ISTRUZIONI

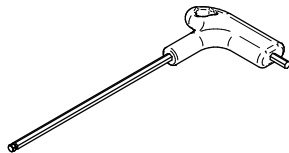
BRABURA

GRILLS

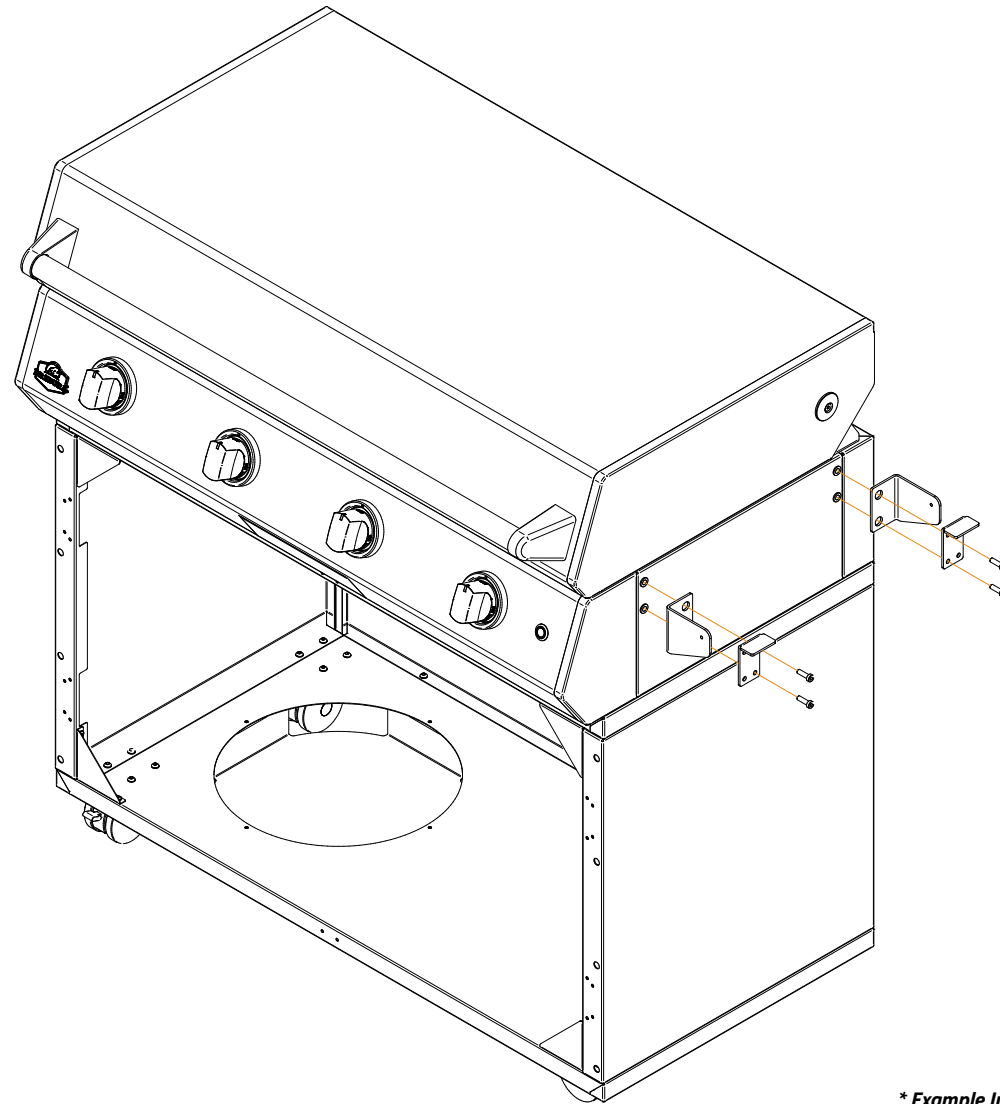
11 Step Tray brackets + Lock tray + BRABURA Griddle
Paso
Schritt
Étape
Passo



COMPONENTS	40"	30"	20"
SCREW M6x20	4	4	4



TOOLS REQUIRED
ALLEN WRENCH



* Example Image: CART L CLASS 40"

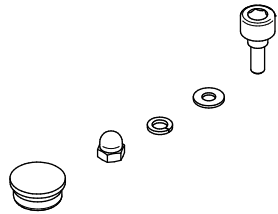
INSTRUCTIONS

INSTRUCCIONES / ANWEISUNGEN / INSTRUCTIONS / ISTRUZIONI

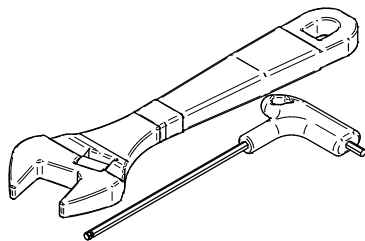
BRABURA

GRILLS

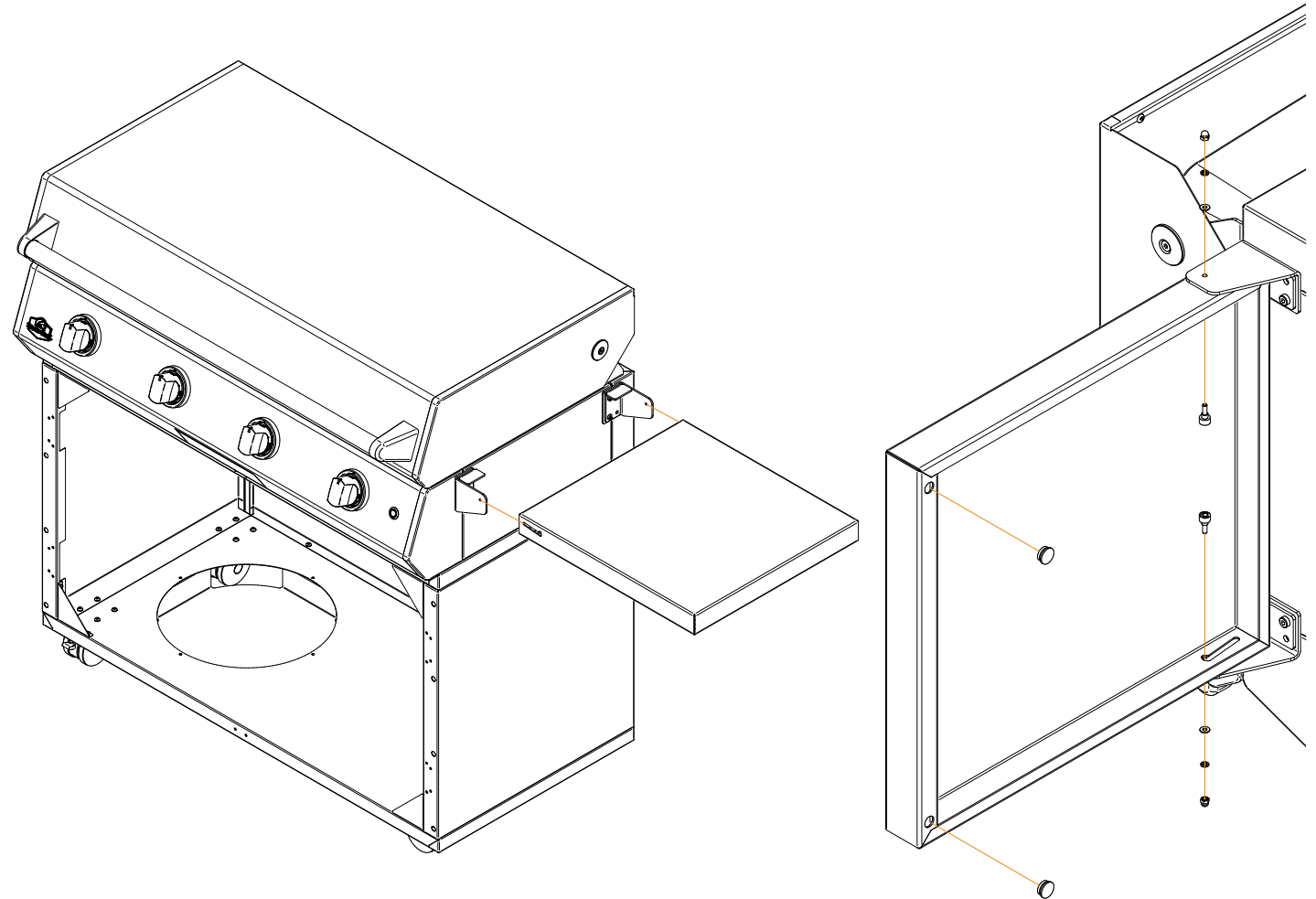
12 | **Step** Tray + BRABURA Griddle
Paso
Schritt
Étape
Passo



COMPONENTS	40"	30"	20"
RUBBER BUMPER	2	2	2
ACORN NUT M4	2	2	2
GROWER WASHER	2	2	2
WASHER M4	2	2	2
AXIS SCREW M4	2	2	2



TOOLS REQUIRED
ADJUSTABLE WRENCH
ALLEN WRENCH



* Example Image: CART L CLASS 40"

INSTRUCTIONS

INSTRUCCIONES / ANWEISUNGEN / INSTRUCTIONS / ISTRUZIONI

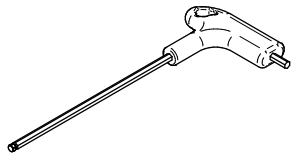
BRABURA

GRILLS

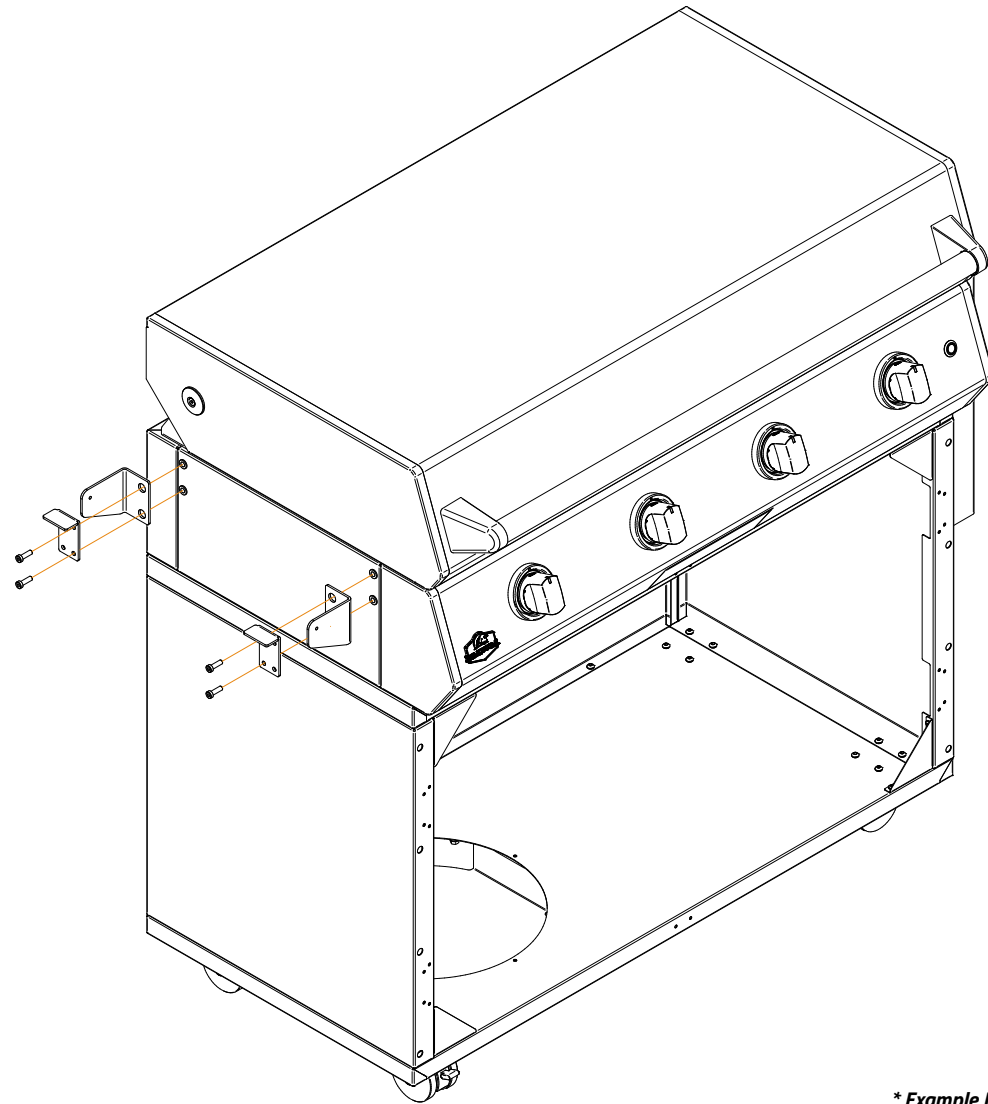
13 Step Tray brackets + Lock tray + BRABURA Griddle
Paso
Schritt
Étape
Passo



COMPONENTS	40"	30"	20"
SCREW M6x20	4	4	4



TOOLS REQUIRED
ALLEN WRENCH



* Example Image: CART L CLASS 40"

INSTRUCTIONS

INSTRUCCIONES / ANWEISUNGEN / INSTRUCTIONS / ISTRUZIONI

BRABURA

GRILLS

14

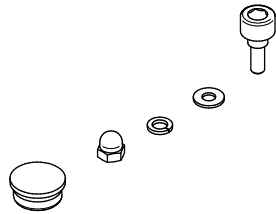
Step Tray + BRABURA Griddle

Paso

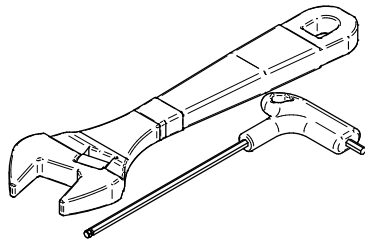
Schritt

Étape

Passo



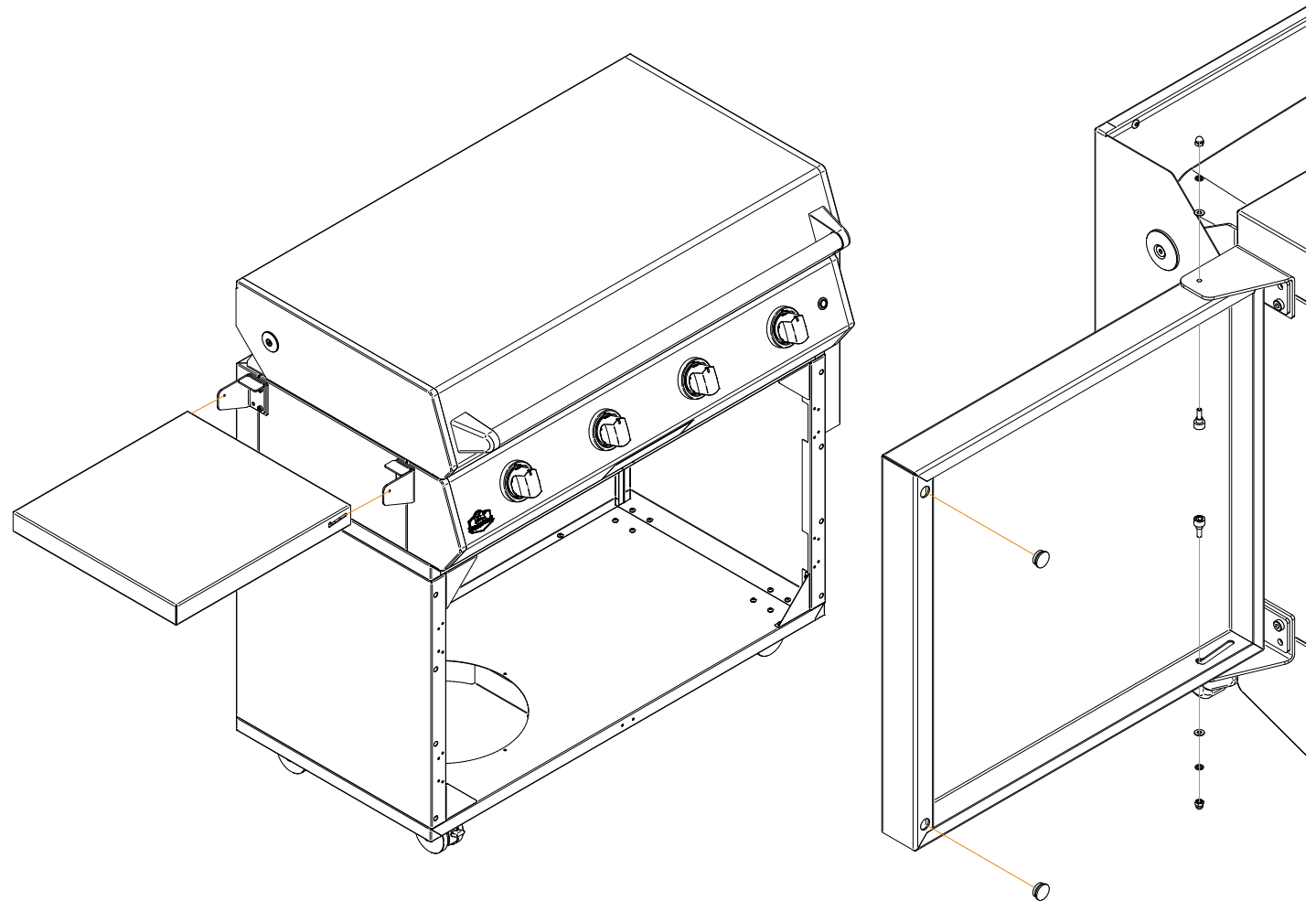
COMPONENTS	40"	30"	20"
RUBBER BUMPER	2	2	2
ACORN NUT M4	2	2	2
GROWER WASHER	2	2	2
WASHER M4	2	2	2
AXIS SCREW M4	2	2	2



TOOLS REQUIRED

ADJUSTABLE WRENCH

ALLEN WRENCH



* Example Image: CART L CLASS 40"

INSTRUCTIONS

INSTRUCCIONES / ANWEISUNGEN / INSTRUCTIONS / ISTRUZIONI

BRABURA

GRILLS

EN Side shelf shown in raised + locked position

To lower the shelf:

1. Lift shelf slightly.
2. Pull outward.
3. Hinge shelf down.

To raise again the shelf, hinge the shelf up and push it in until you feel it bump down into a locked position.

ES Estante lateral mostrado en posición elevada + bloqueada

Para bajar el estante:

1. Levante ligeramente el estante.
2. Tire hacia abajo
3. Gire hacia abajo el estante con la bisagra.

Para volver a elevar el estante, gire hacia arriba el estante con la bisagra y empújelo hacia adentro hasta que sienta que encaja en una posición bloqueada.

DE Seitenregal in angehobener + verriegelter Position gezeigt

Um das Regal zu senken:

1. Regal leicht anheben.
2. Ziehen Sie nach außen.
3. Regal nach unten klappen.

Um das Regal erneut anzuheben, klappen Sie das Regal nach oben und drücken Sie es hinein, bis Sie spüren, dass es in einer verriegelten Position einrastet.

FR Étagère latérale montrée en position relevée + verrouillée.

Pour abaisser l'étagère :

1. Soulevez légèrement l'étagère.
2. Tirer vers l'extérieur.
3. Abaissez l'étagère sur la charnière.

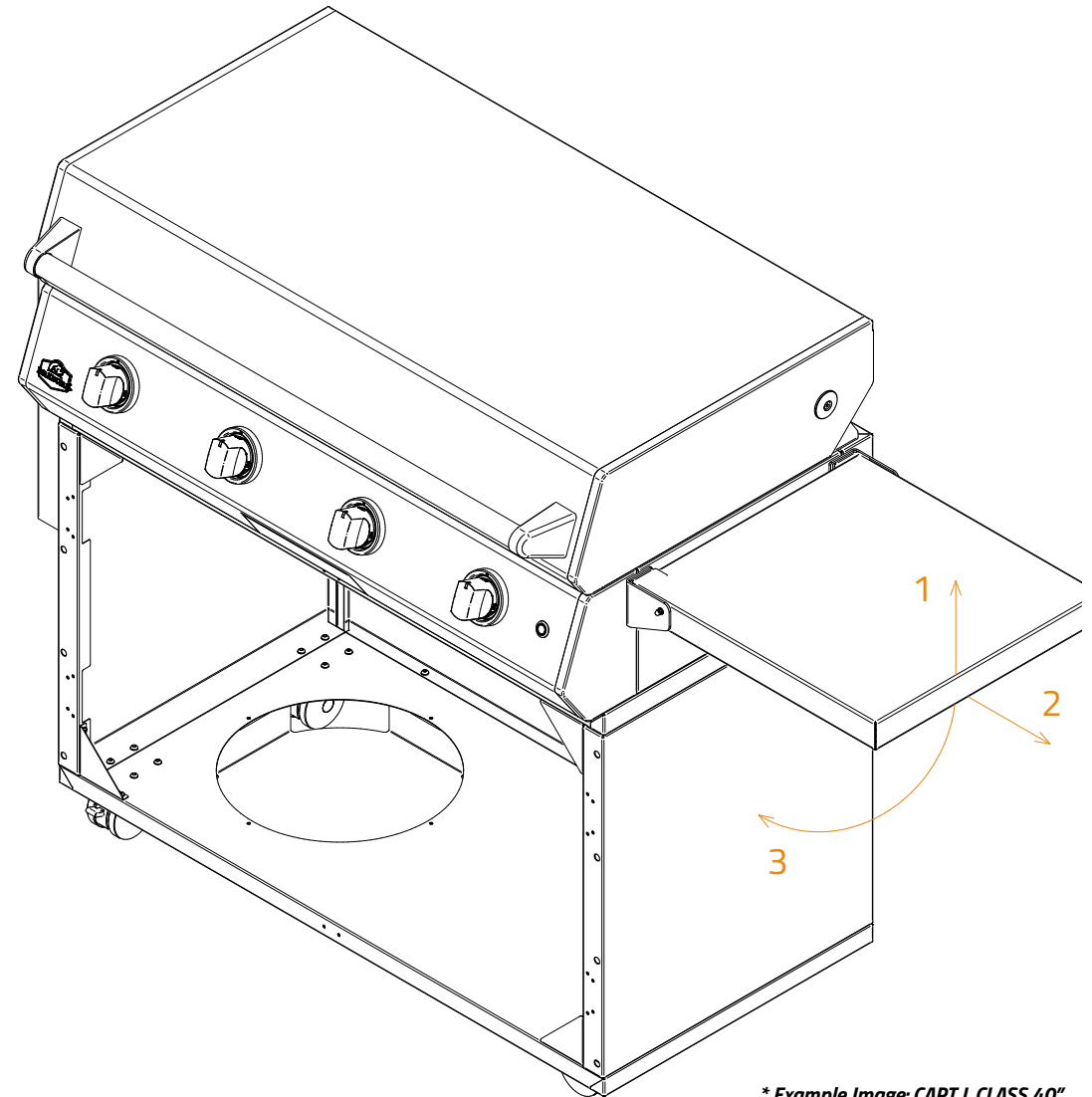
Pour remonter l'étagère, relevez-la sur la charnière et poussez-la jusqu'à ce que vous sentiez qu'elle se verrouille en position basse.

IT La mensola laterale mostrata in posizione sollevata + bloccata.

Per abbassare la mensola:

1. Sollevare leggermente la mensola.
2. Tirare fuori
3. Inclinare la mensola verso il basso.

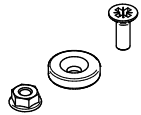
Per sollevare nuovamente la mensola, inclinare la mensola verso l'alto e spingerla all'interno finché non si avverte un urto che indica il blocco nella posizione.



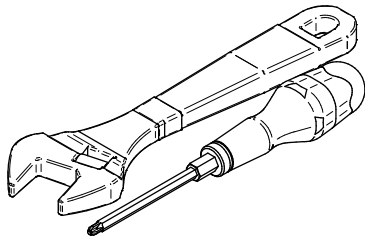
* Example Image: CART L CLASS 40"

INSTRUCCIONES DE MONTAJE

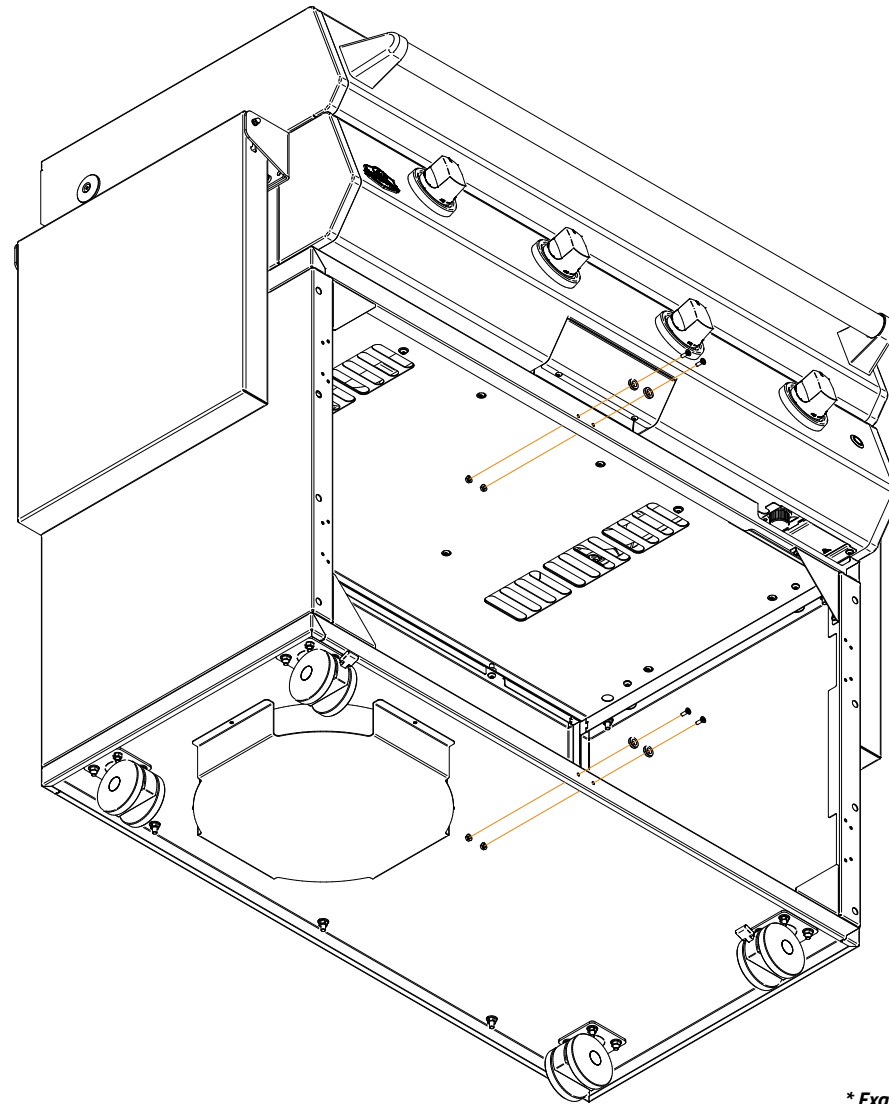
15 Step Magnet + Cart
 Paso
 Schritt
 Étape
 Passo



COMPONENTS	40"	30"	20"
KEPS NUT M4	4	4	2
MAGNETIC	2	2	1
SCREW M4x10 COUNTERSINK	4	4	2



TOOLS REQUIRED
ADJUSTABLE WRENCH
SCREWDRIVER PHILLIPS-TIP



* Example Image: CART L CLASS 40"

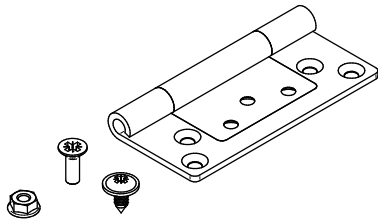
INSTRUCTIONS

INSTRUCCIONES / ANWEISUNGEN / INSTRUCTIONS / ISTRUZIONI

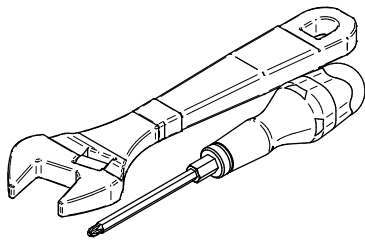
BRABURA

GRILLS

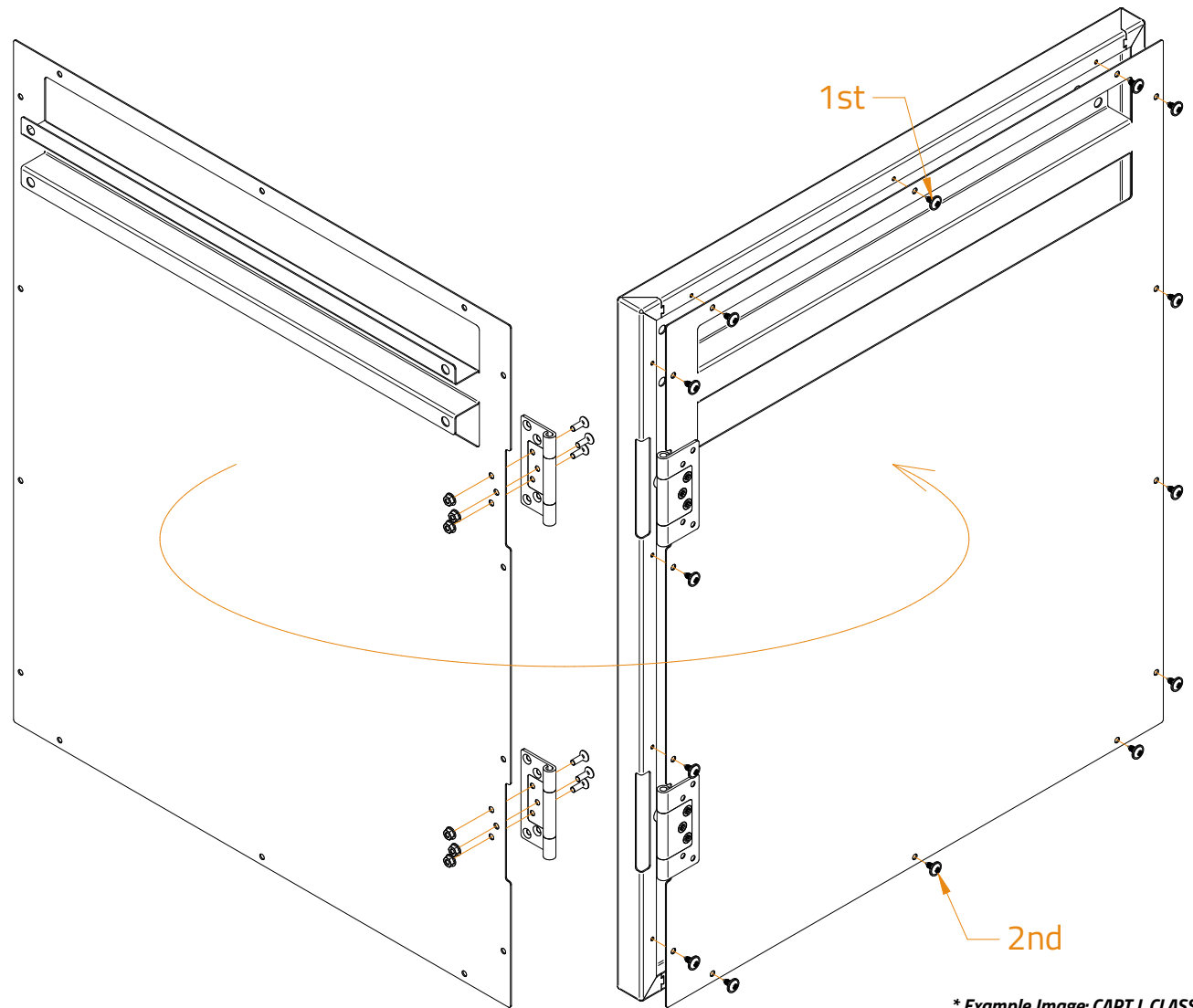
16 Step R-Skin + R-Door
 Paso
 Schritt
 Étape
 Passo



COMPONENTS	40"	30"	20"
KEPS NUT M4	6	6	6
SCREW SELF-TAPPING	14	14	14
SCREW M4x10 COUNTERSINK	6	6	6
HINGE	2	2	2



TOOLS REQUIRED
ADJUSTABLE WRENCH
SCREWDRIVER PHILLIPS-TIP



* Example Image: CART L CLASS 40"

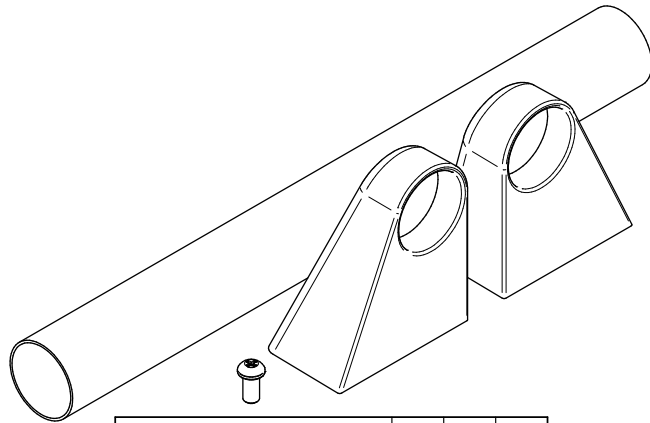
INSTRUCTIONS

INSTRUCCIONES / ANWEISUNGEN / INSTRUCTIONS / ISTRUZIONI

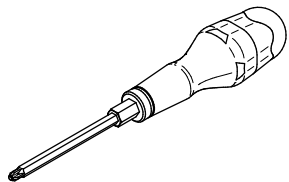
BRABURA

GRILLS

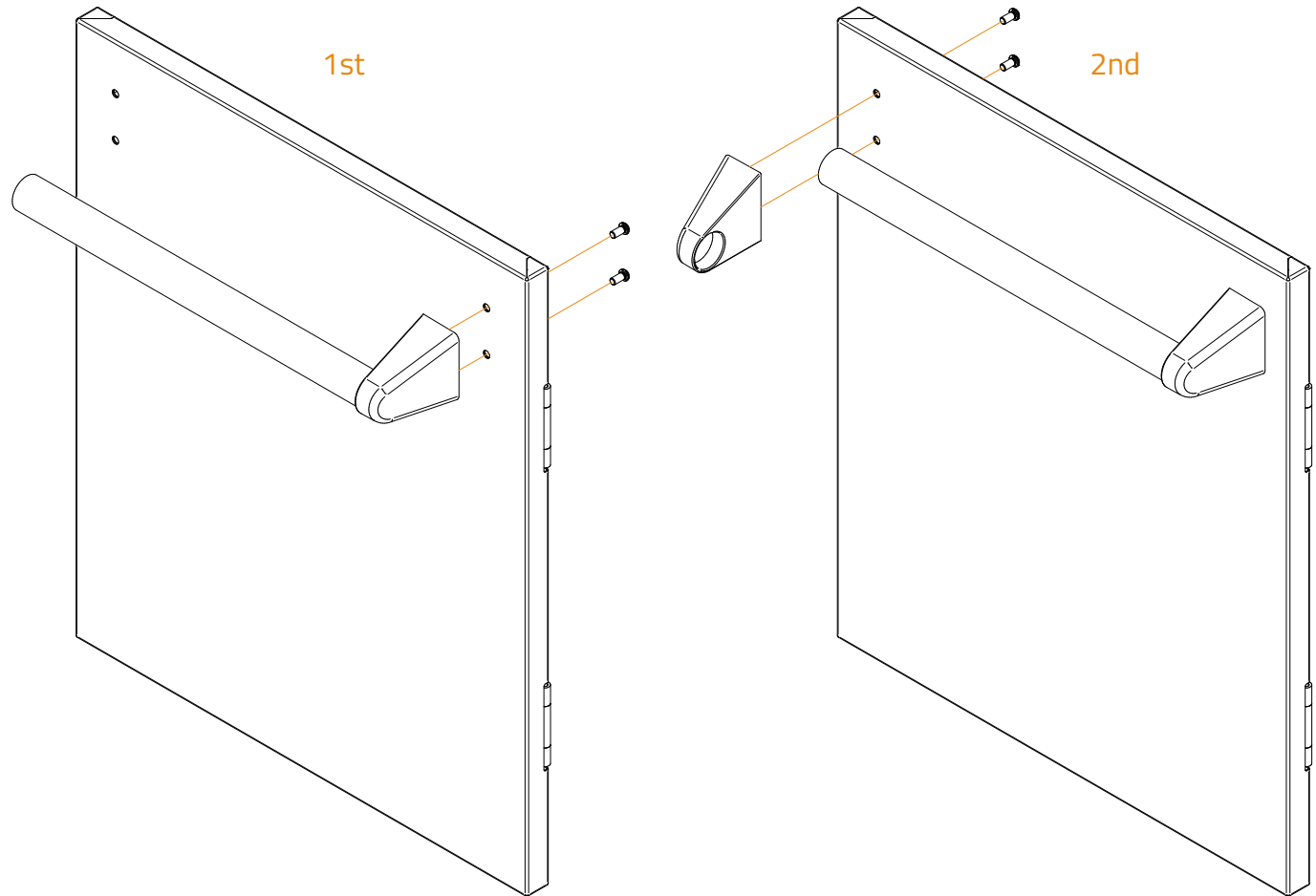
17 Step R-Door
 Paso
 Schritt
 Étape
 Passo



COMPONENTS	40"	30"	20"
SCREW M6x12	4	4	4
R-ENDCAP	1	1	1
L-ENDCAP	1	1	1
HANDLE	1	1	1



TOOLS REQUIRED
 SCREWDRIVER PHILLIPS-TIP



* Example Image: CART L CLASS 40"

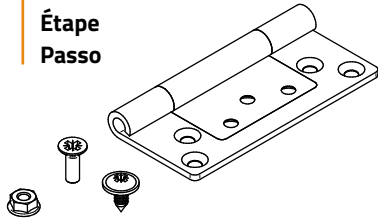
INSTRUCTIONS

INSTRUCCIONES / ANWEISUNGEN / INSTRUCTIONS / ISTRUZIONI

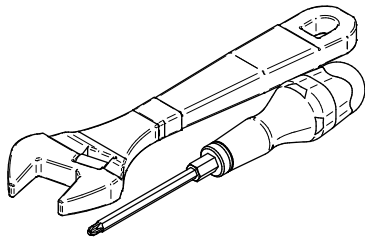
BRABURA

GRILLS

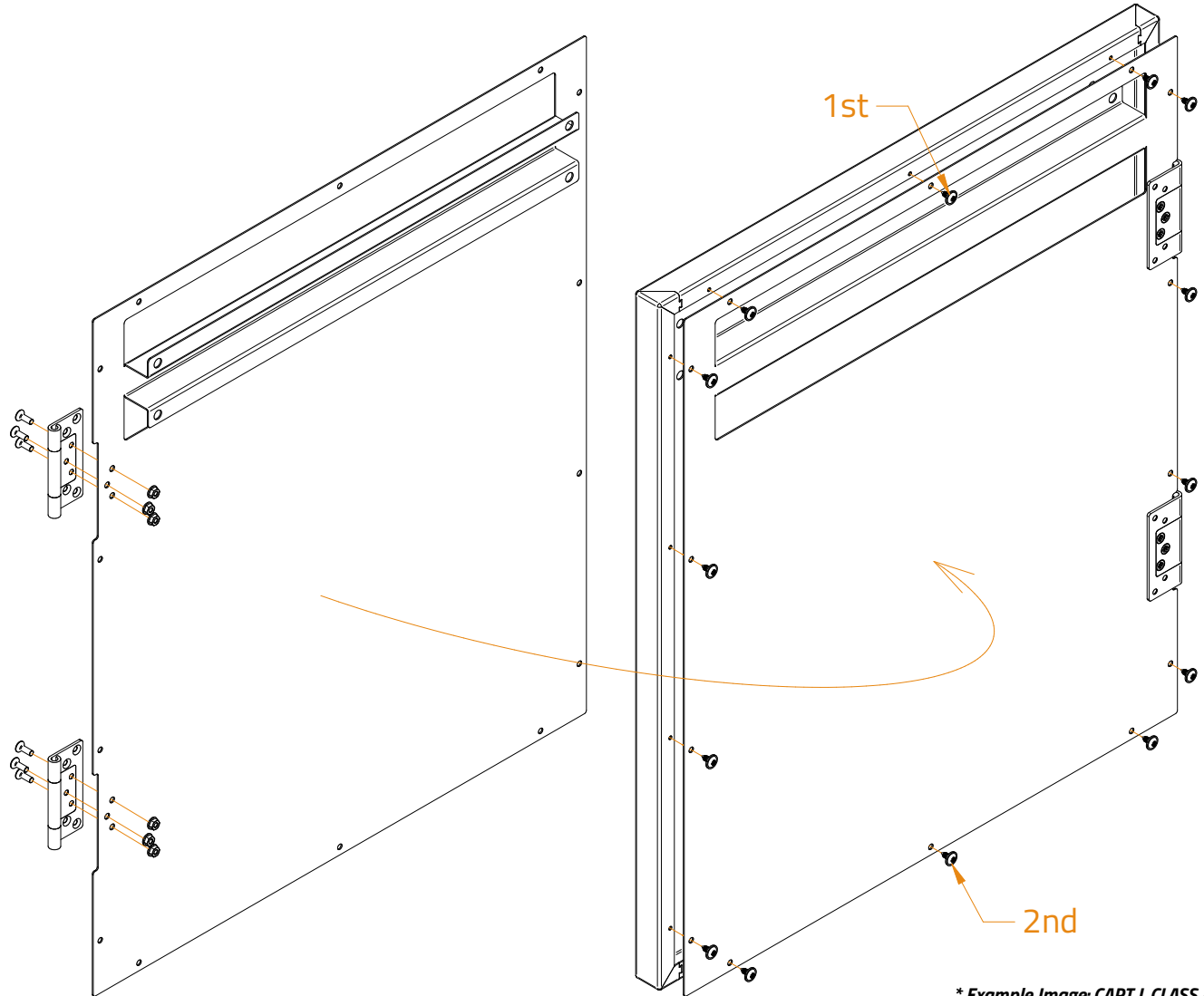
18 Step L-Skin + L-Door
 Paso
 Schritt
 Étape
 Passo



COMPONENTS	40"	30"	20"
KEPS NUT M4	6	6	-
SCREW SELF-TAPPING	14	14	-
SCREW M4x10 COUNTERSINK	6	6	-
HINGE	2	2	-



TOOLS REQUIRED
ADJUSTABLE WRENCH
SCREWDRIVER PHILLIPS-TIP



* Example Image: CART L CLASS 40"

INSTRUCTIONS

INSTRUCCIONES / ANWEISUNGEN / INSTRUCTIONS / ISTRUZIONI

BRABURA

GRILLS

19

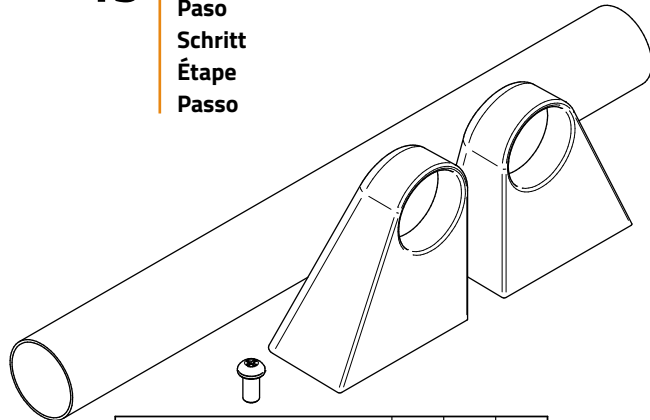
Step Paso 19: L-Door

Paso

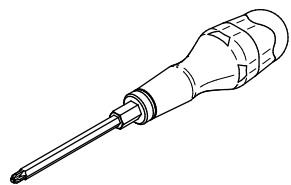
Schritt

Étape

Passo

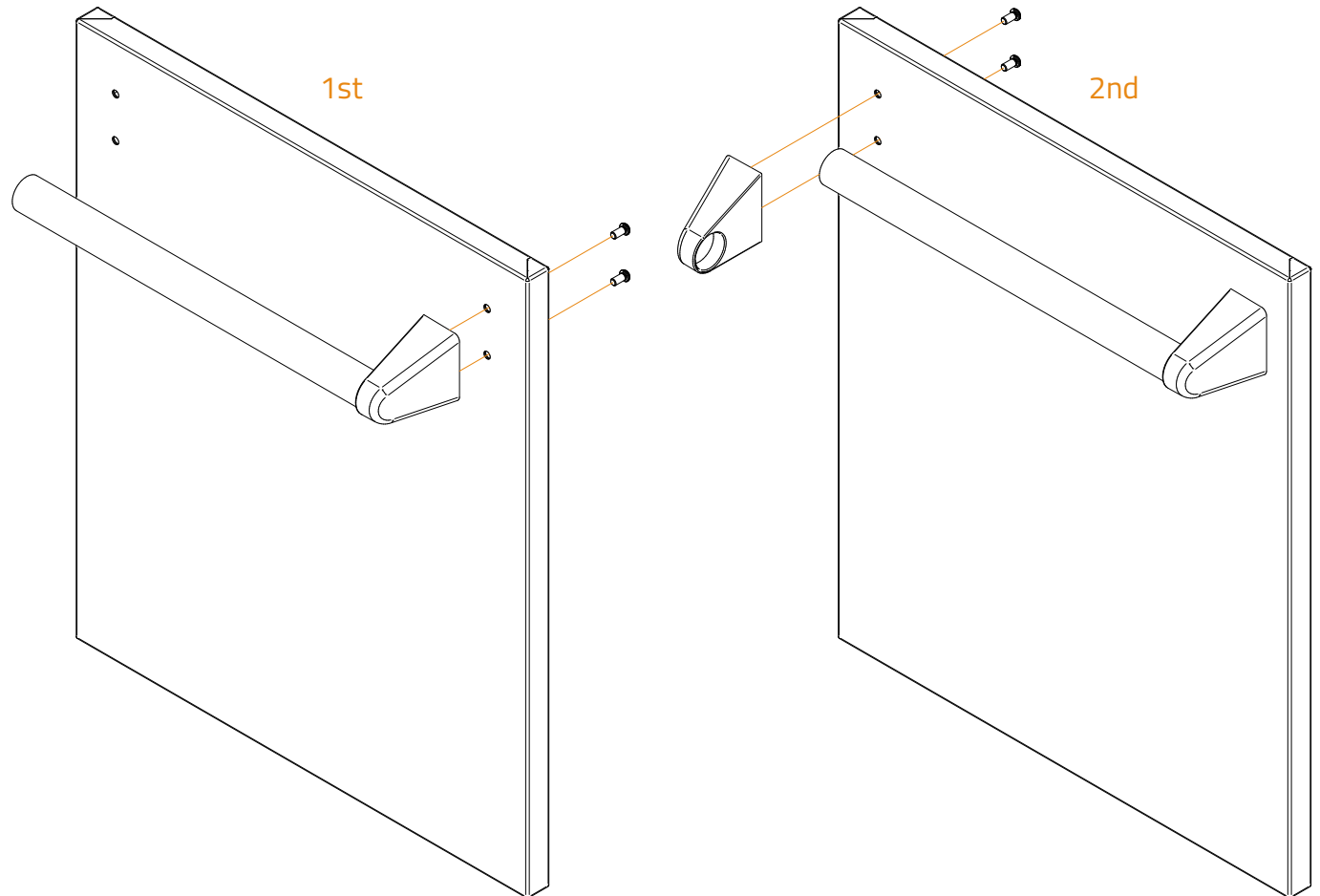


COMPONENTS	40"	30"	20"
SCREW M6x12	4	4	-
R-ENDCAP	1	1	-
L-ENDCAP	1	1	-
HANDLE	1	1	-



TOOLS REQUIRED

SCREWDRIVER PHILLIPS-TIP



* Example Image: CART L CLASS 40"

INSTRUCTIONS

INSTRUCCIONES / ANWEISUNGEN / INSTRUCTIONS / ISTRUZIONI

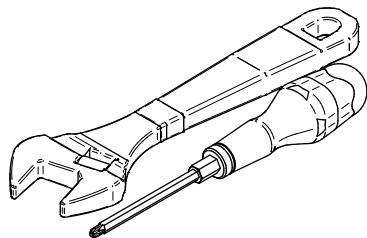
BRABURA

GRILLS

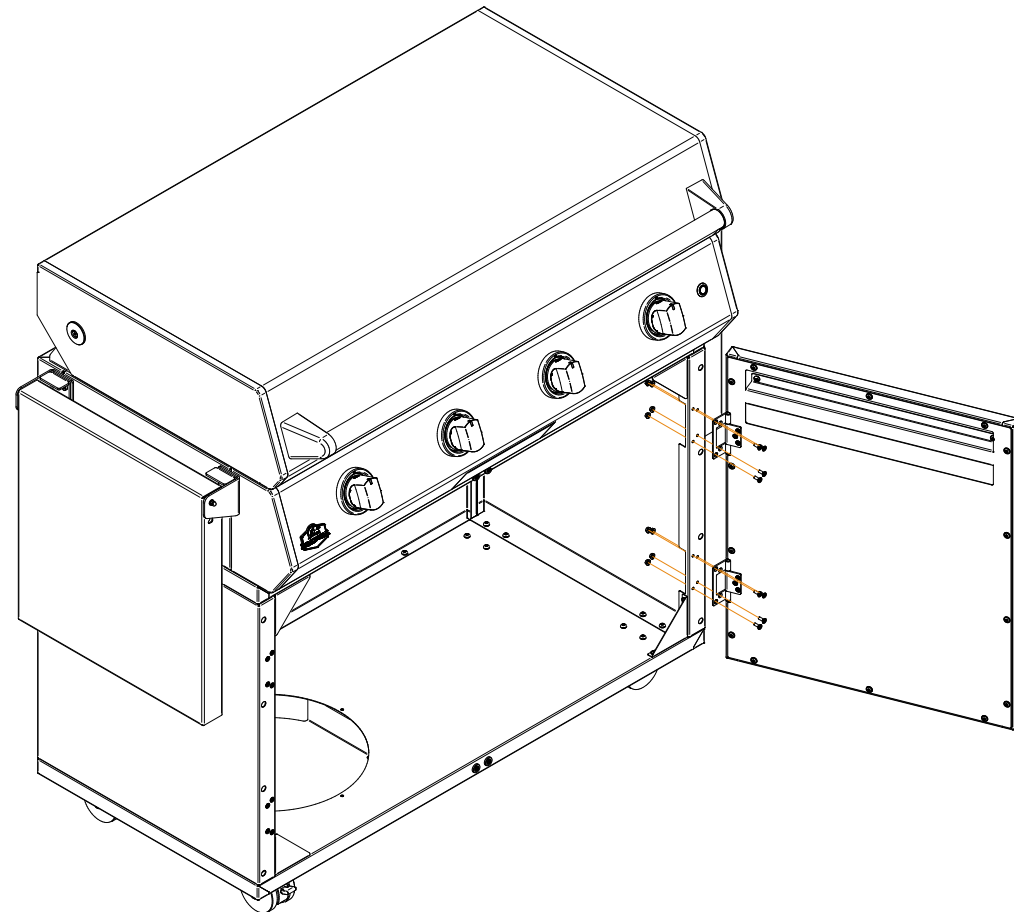
20 Step R-Door + Cart
Paso
Schritt
Étape
Passo



COMPONENTS	40"	30"	20"
KEPS NUT M4	8	8	8
SCREW M4x10 COUNTERSINK	8	8	8



TOOLS REQUIRED
ADJUSTABLE WRENCH
SCREWDRIVER PHILLIPS-TIP



* Example Image: CART L CLASS 40"

INSTRUCTIONS

INSTRUCCIONES / ANWEISUNGEN / INSTRUCTIONS / ISTRUZIONI

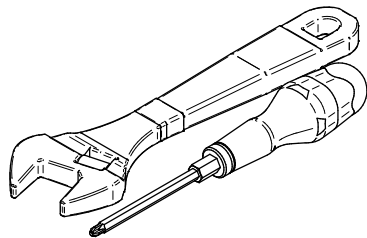
BRABURA

GRILLS

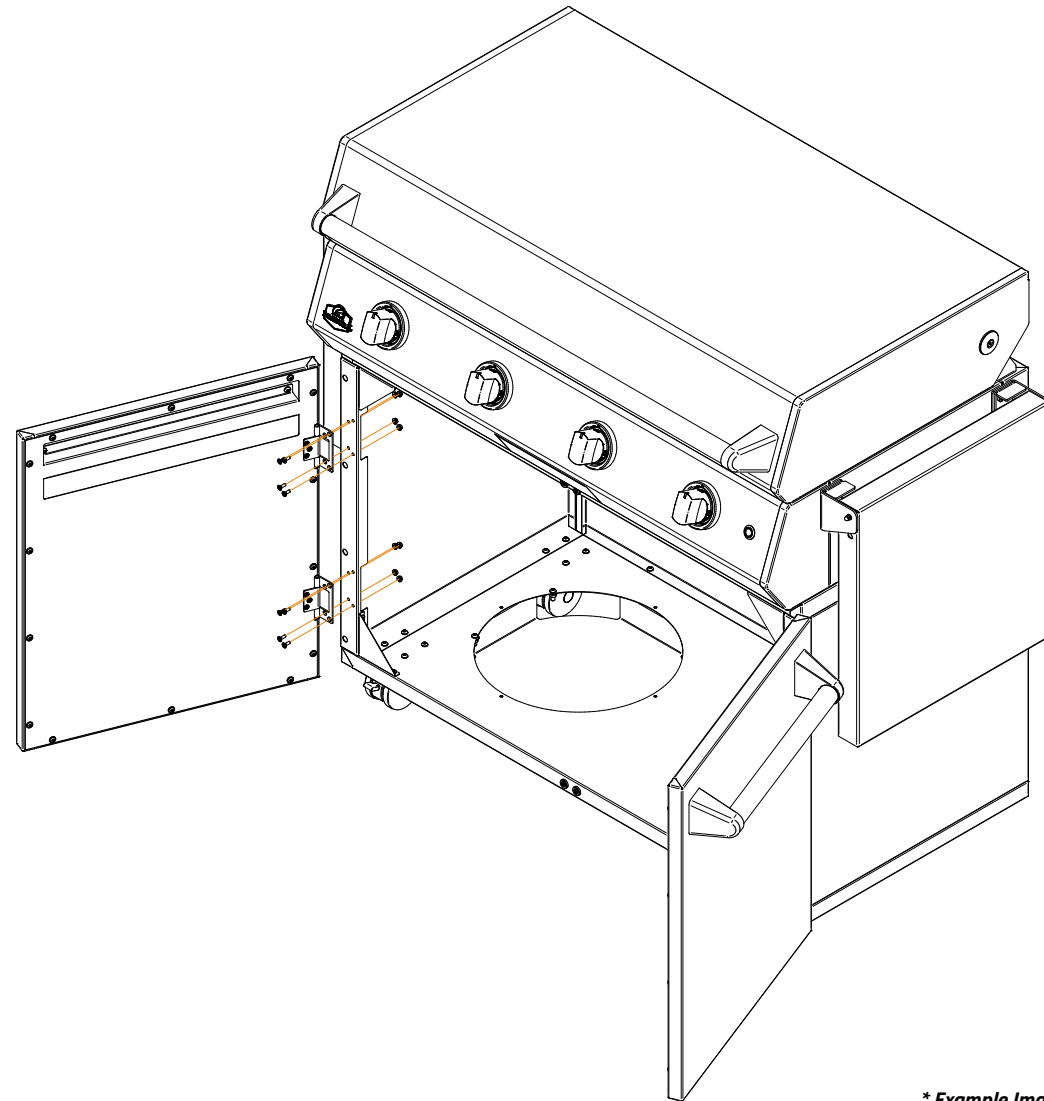
21 | Step L-Door + Cart
Paso
Schritt
Étape
Passo



COMPONENTS	40"	30"	20"
KEPS NUT M4	8	8	-
SCREW M4x10 COUNTERSINK	8	8	-



TOOLS REQUIRED
ADJUSTABLE WRENCH
SCREWDRIVER PHILLIPS-TIP



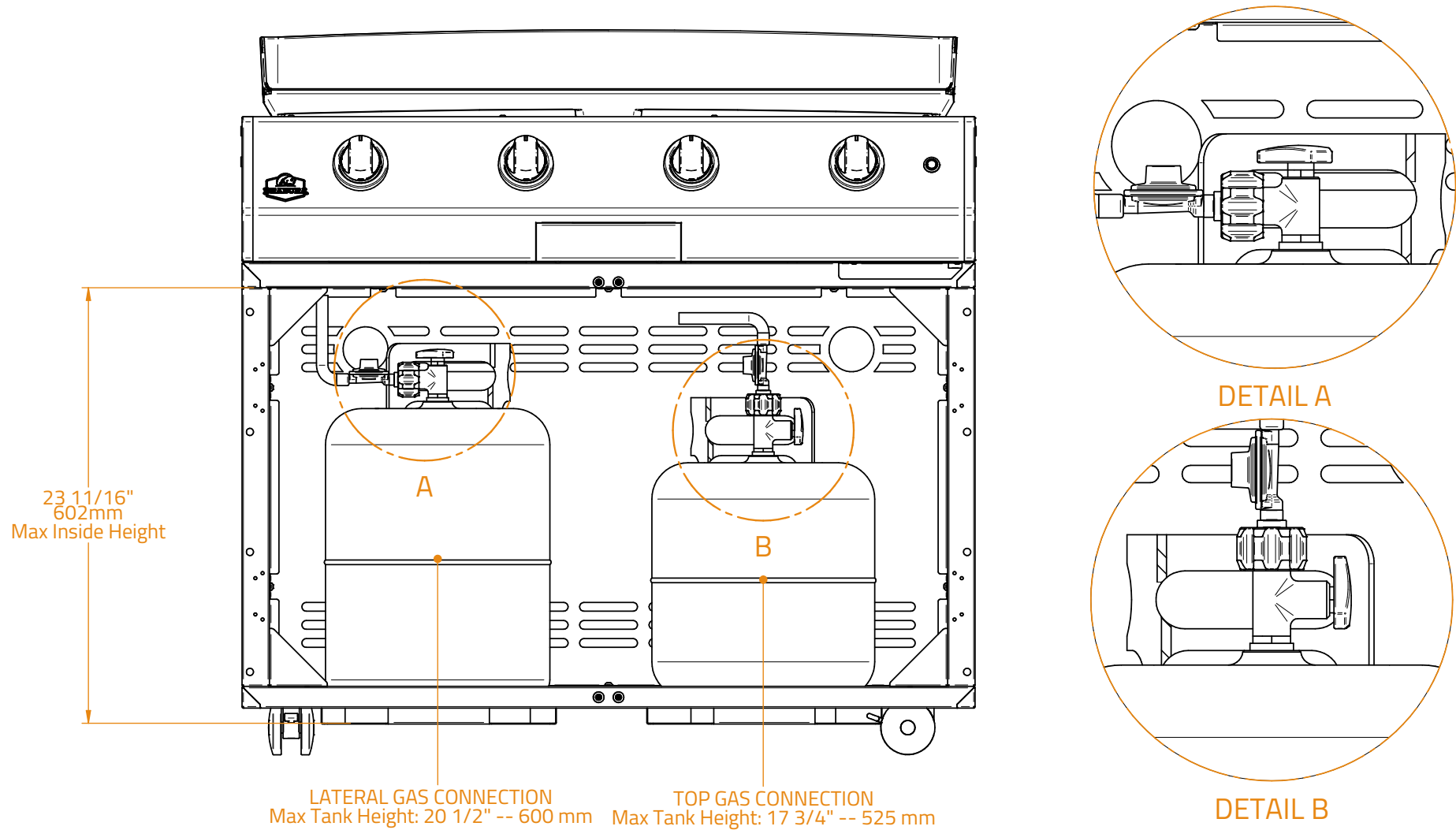
* Example Image: CART L CLASS 40"

GAS CONNECTIONS

CONEXIONES DE GAS / GASANSCHLÜSSE / RACCORDEMENTS DE GAZ / COLLEGAMENTI DEL GAS

BRABURA

GRILLS



* Example Image: CART L CLASS 40"

Share Life
Share Experiences

[visit braburagrills.com](http://visit.braburagrills.com)

AVENIDA DE ALMENDRALEJO 6 VILLAFRANCA DE LOS BARROS 06220 BADAJOZ SPAIN