

LUGANO 570 G EVO II

Aufbauanleitung | Assembly Instruction

INHALTSVERZEICHNIS | TABLE OF CONTENTS

| | |
|----------|---|
| S. 4 | Montagematerial Hardware Set |
| S. 6-12 | Aufbauanleitung Assembly Instruction |
| S. 13 | Sicherheitshinweis Safety Instruction |
| S. 14-17 | Ersatzteile Spare Parts |

Achtung

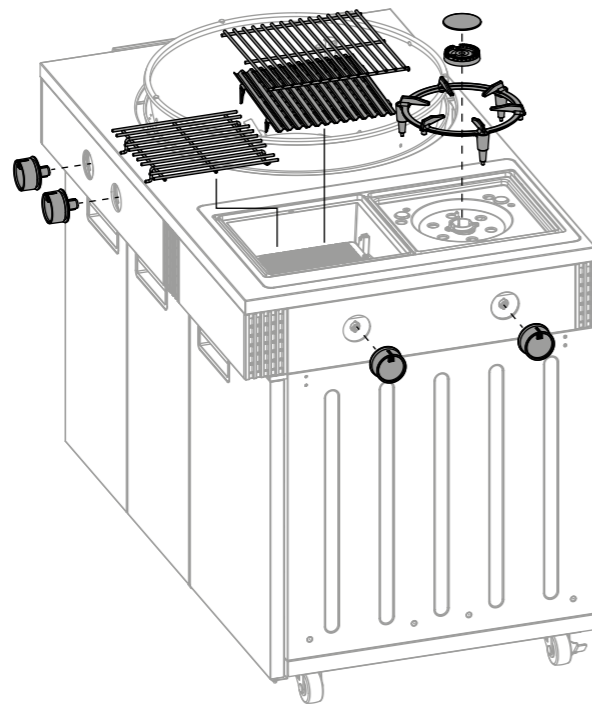
Bitte notieren Sie auf der Rückseite Ihrer Gebrauchsanweisung die Serien-Nummer. Je nach Grillmodell finden Sie die Nummer auf dem Datensticker, welcher sich entweder am Grillgestell oder auf der Bodenplatte befindet. **OUTDOORCHEF** kann Garantie und Ersatzteillieferungen nur mit der Serien-Nummer bearbeiten. Outdoorchef AG operates a policy of continuous product development and improvement. As such we reserve the right to alter product design and or technical specification without giving any prior notice.

Attention

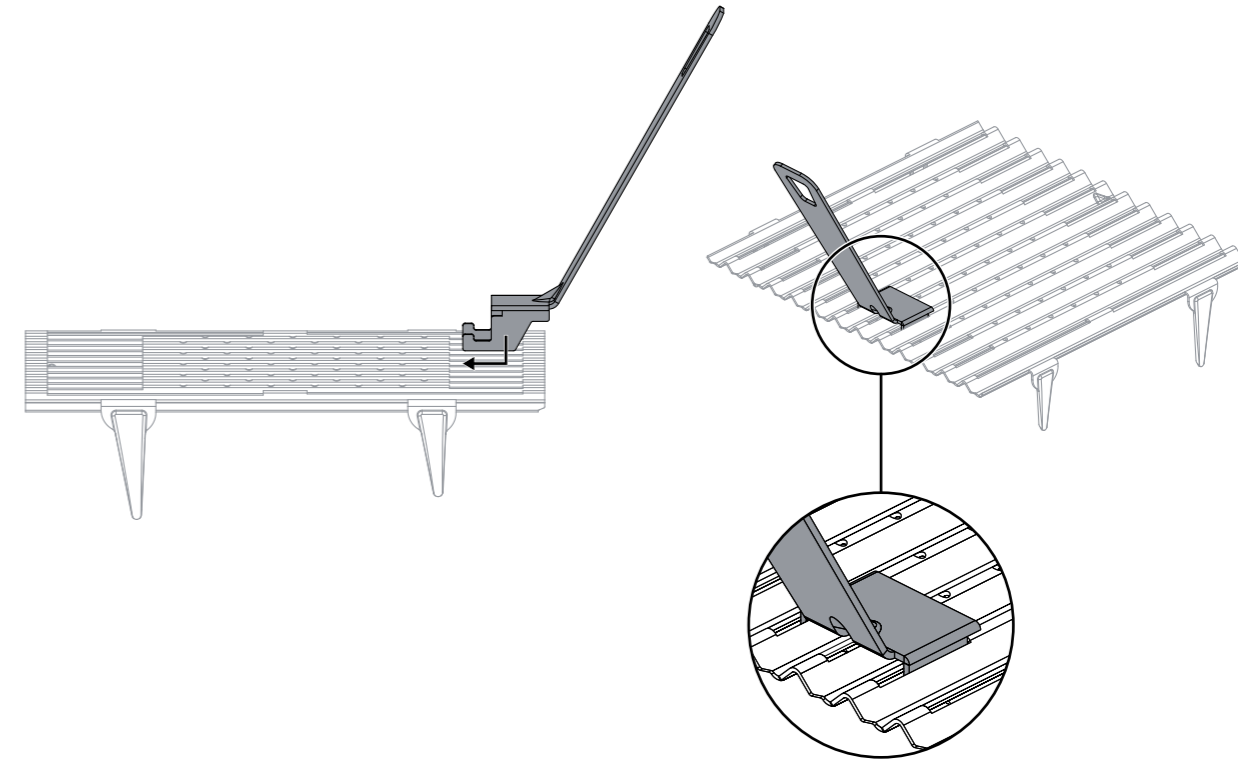
Please write your serial number on the backside of the manual for future reference. You will find the number on the data plate attached to the trolley or the bottom plate depending on the grill model. **OUTDOORCHEF** can only supply spare parts and honour warranty returns when the serial number is available.

Lesen Sie die separate Bedienungsanleitung sorgfältig durch, bevor Sie Ihren **OUTDOORCHEF** Grill in Betrieb nehmen. Please read the separate user manual carefully before using your **OUTDOORCHEF** Barbeque.

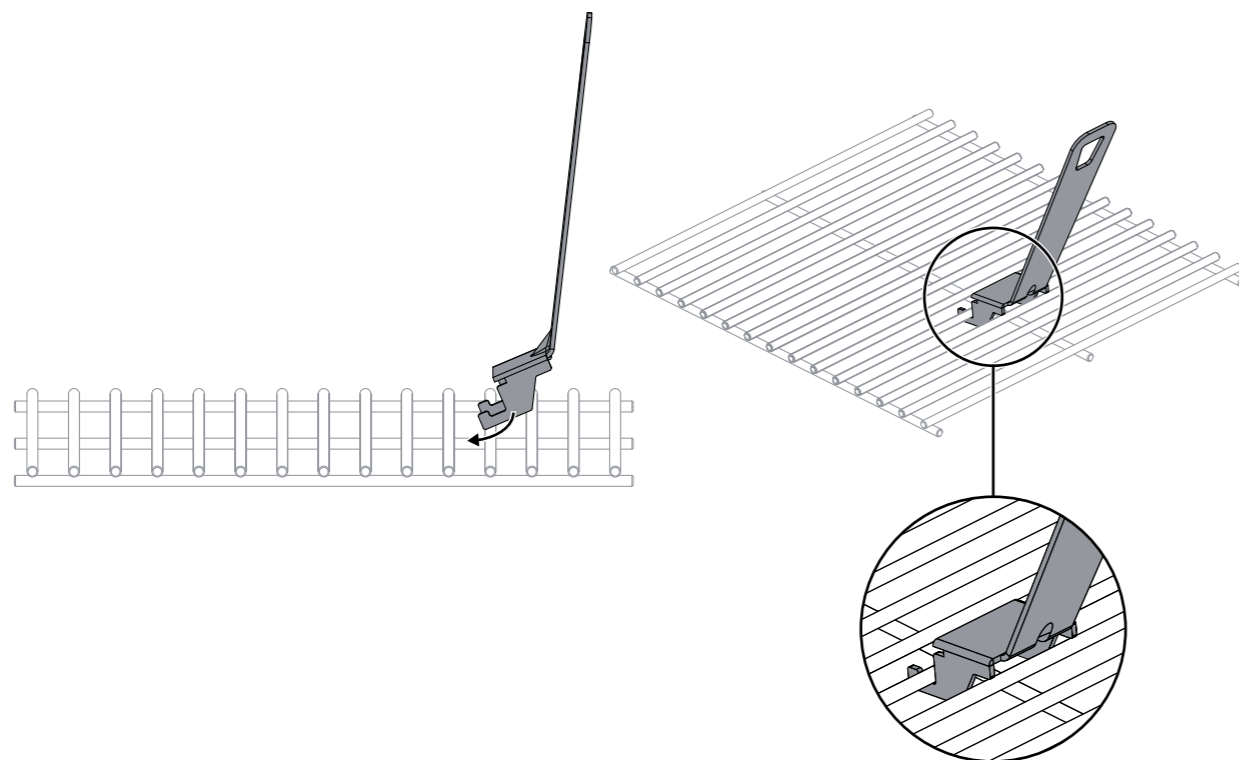
1.



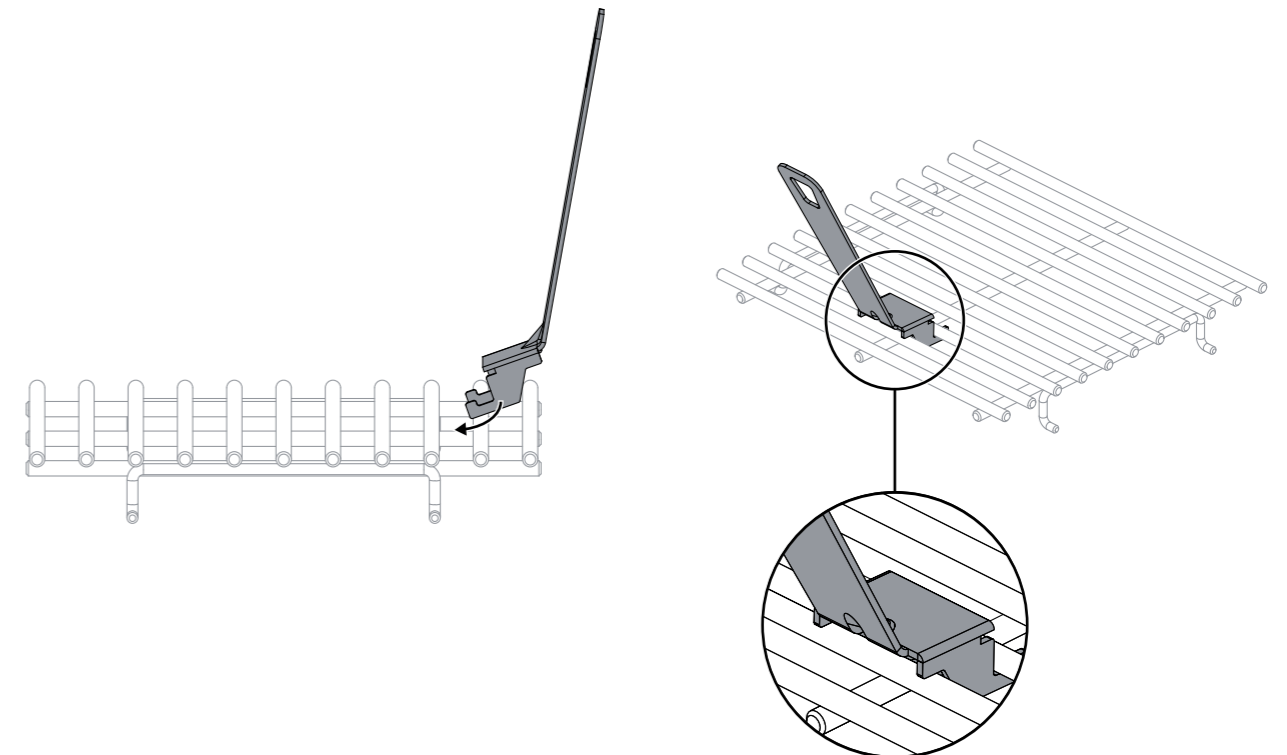
3.

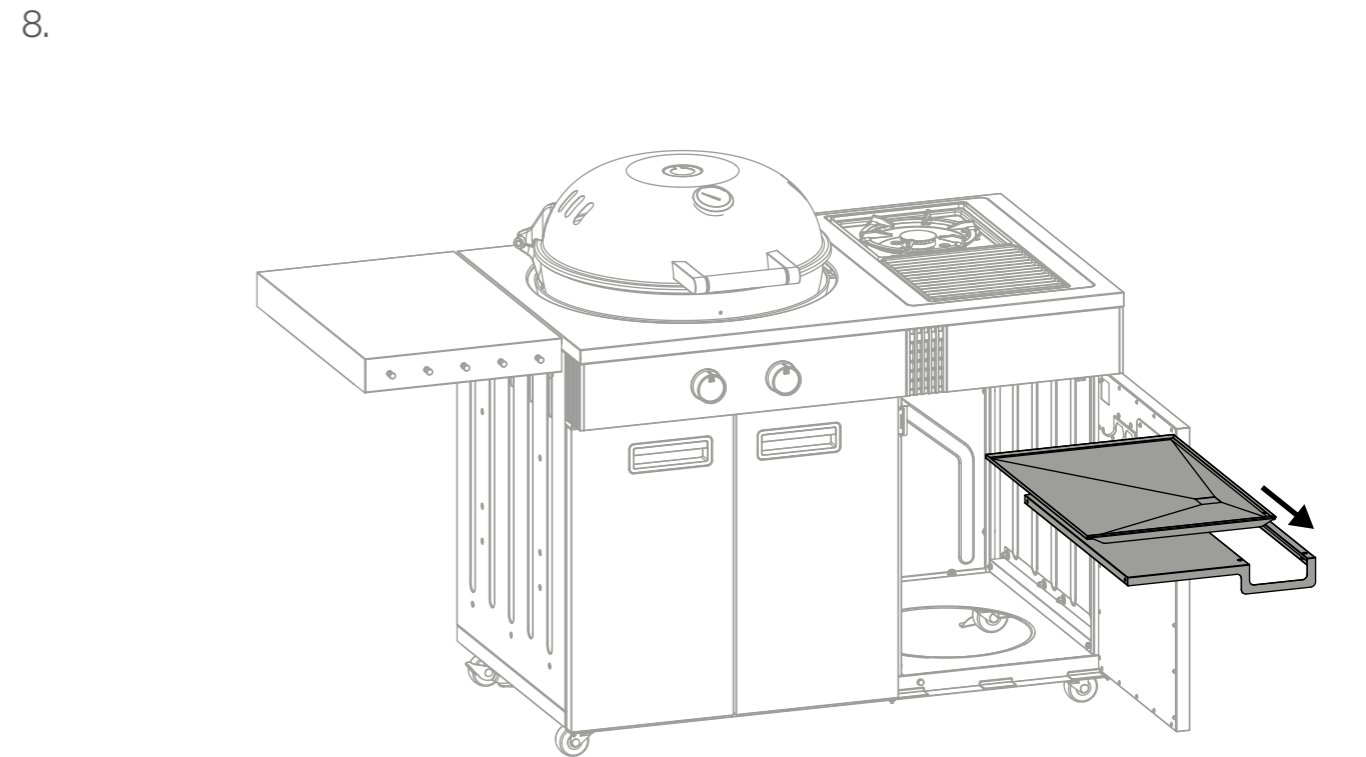
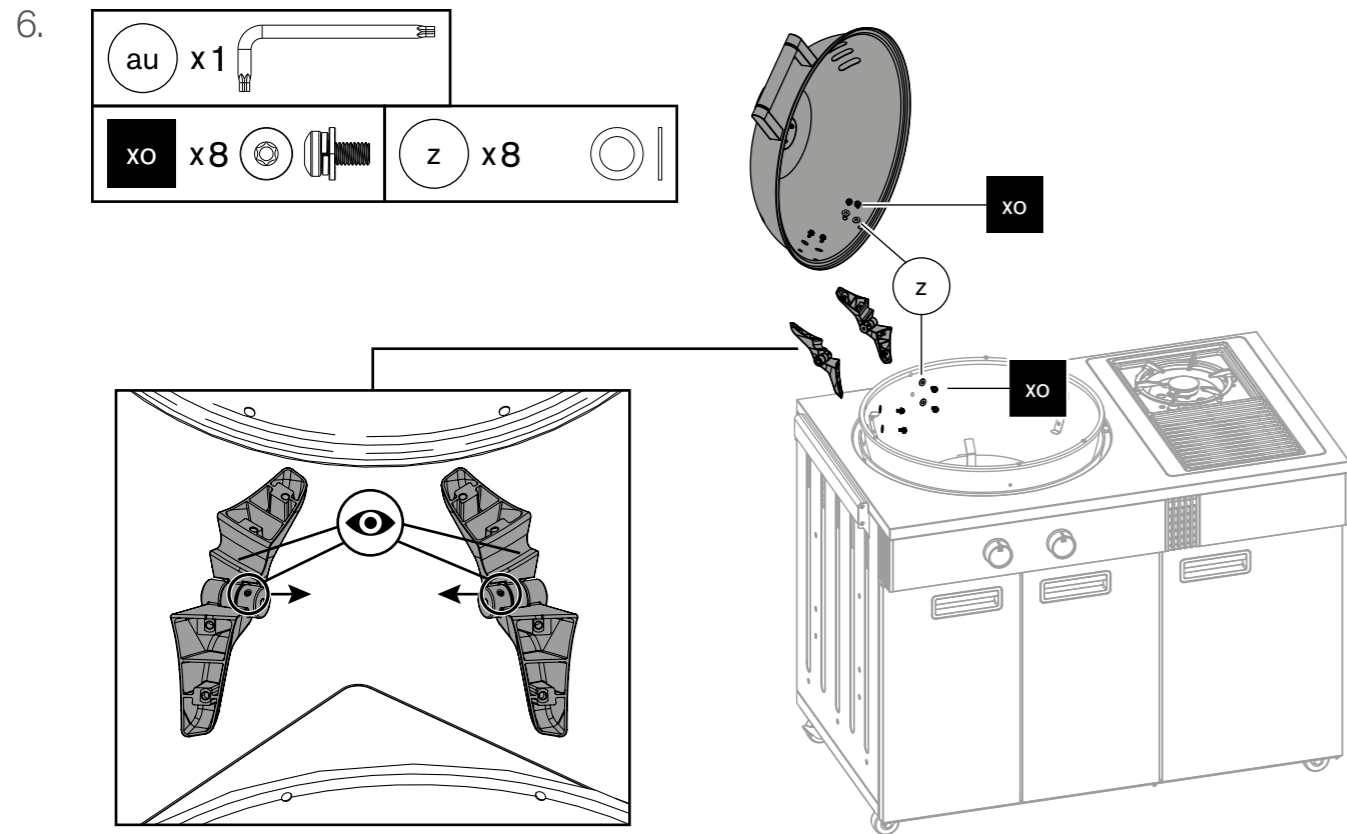
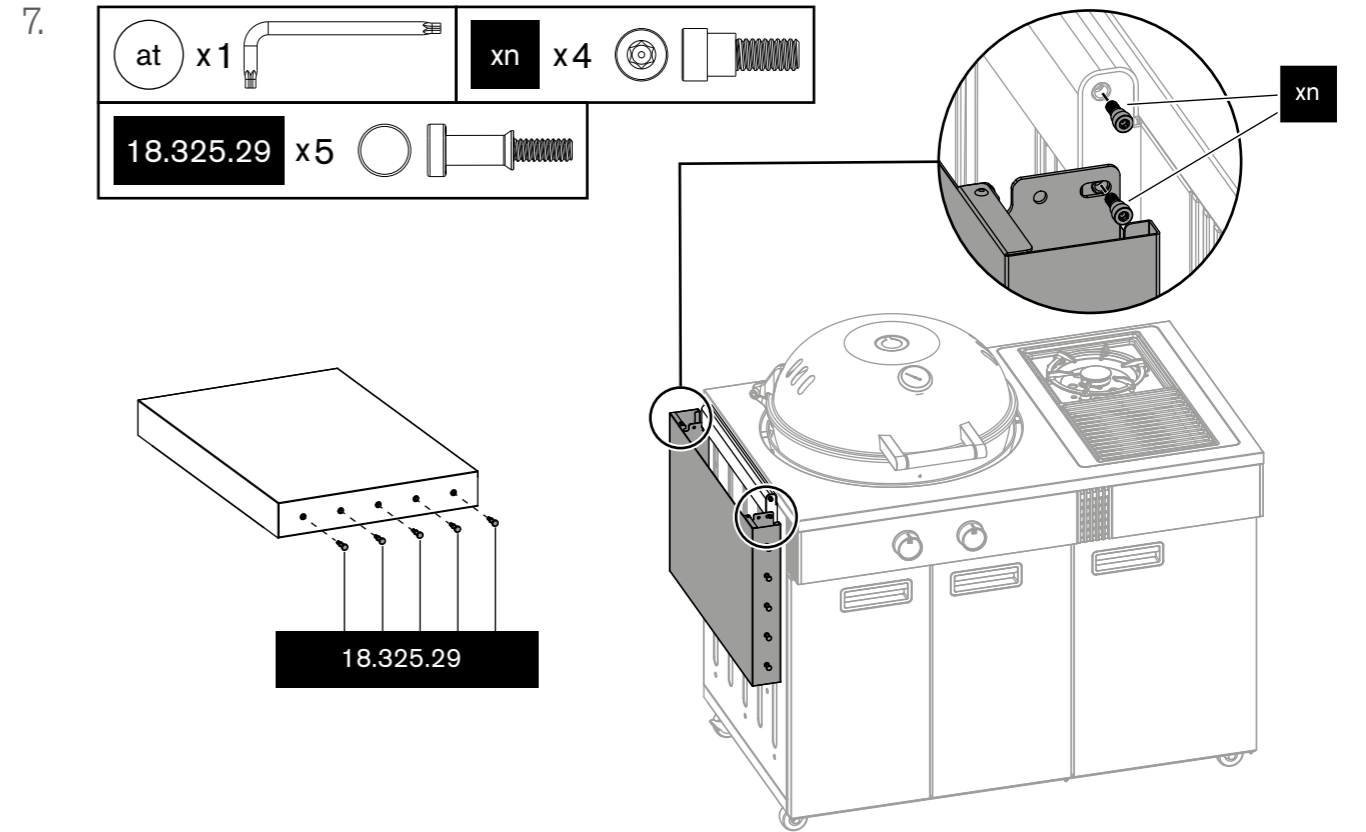
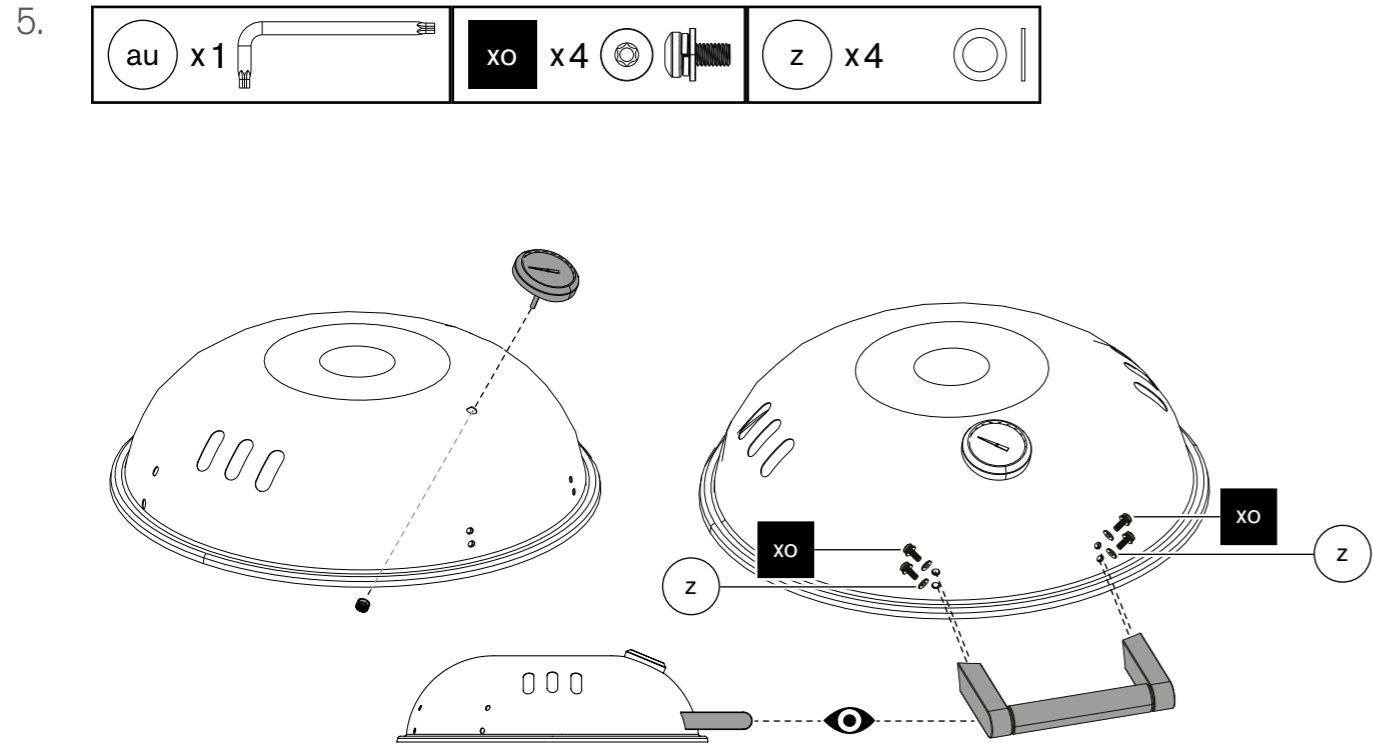


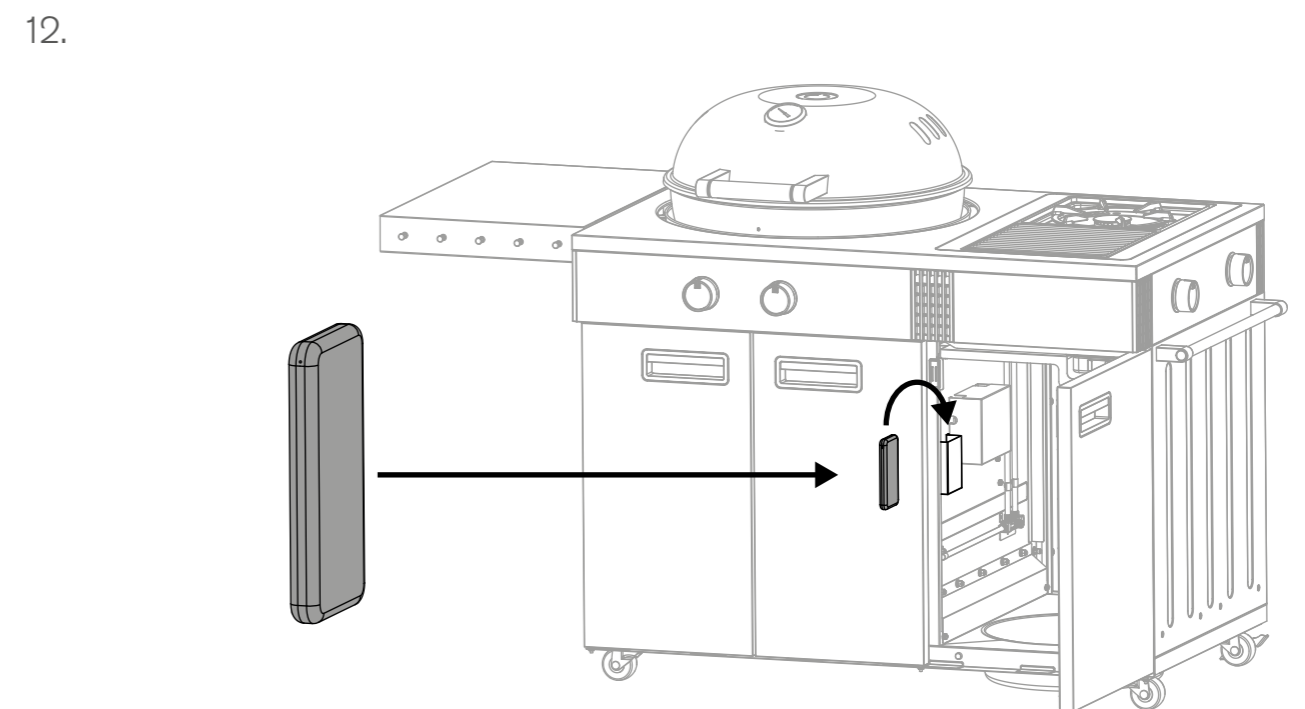
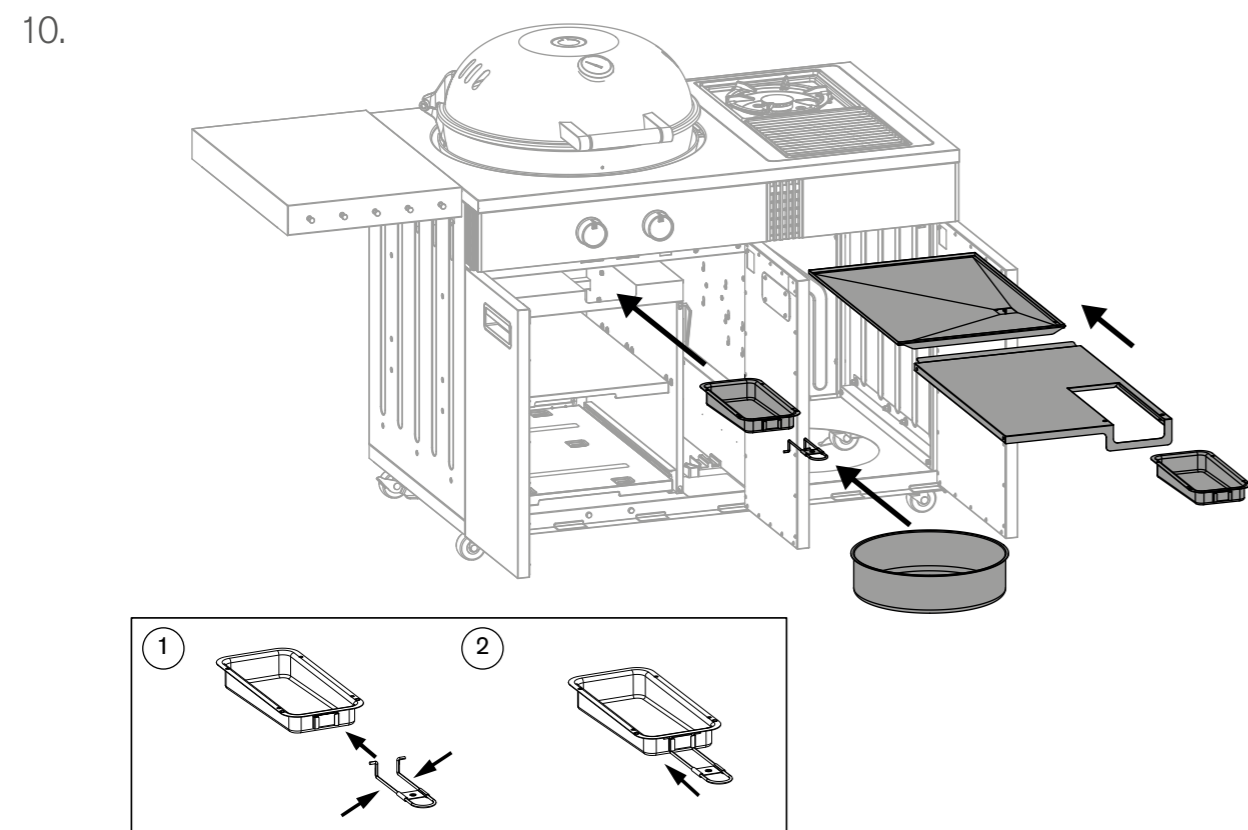
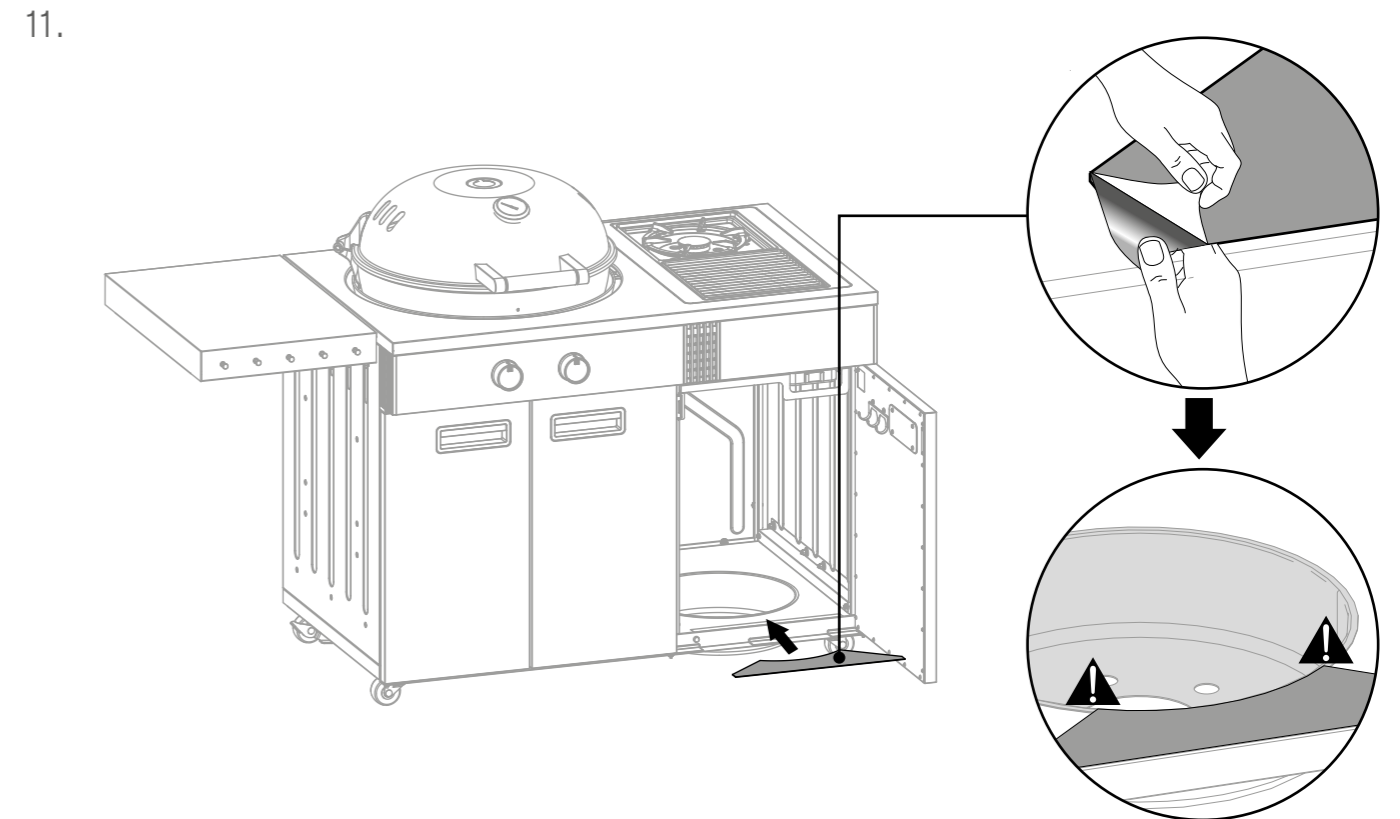
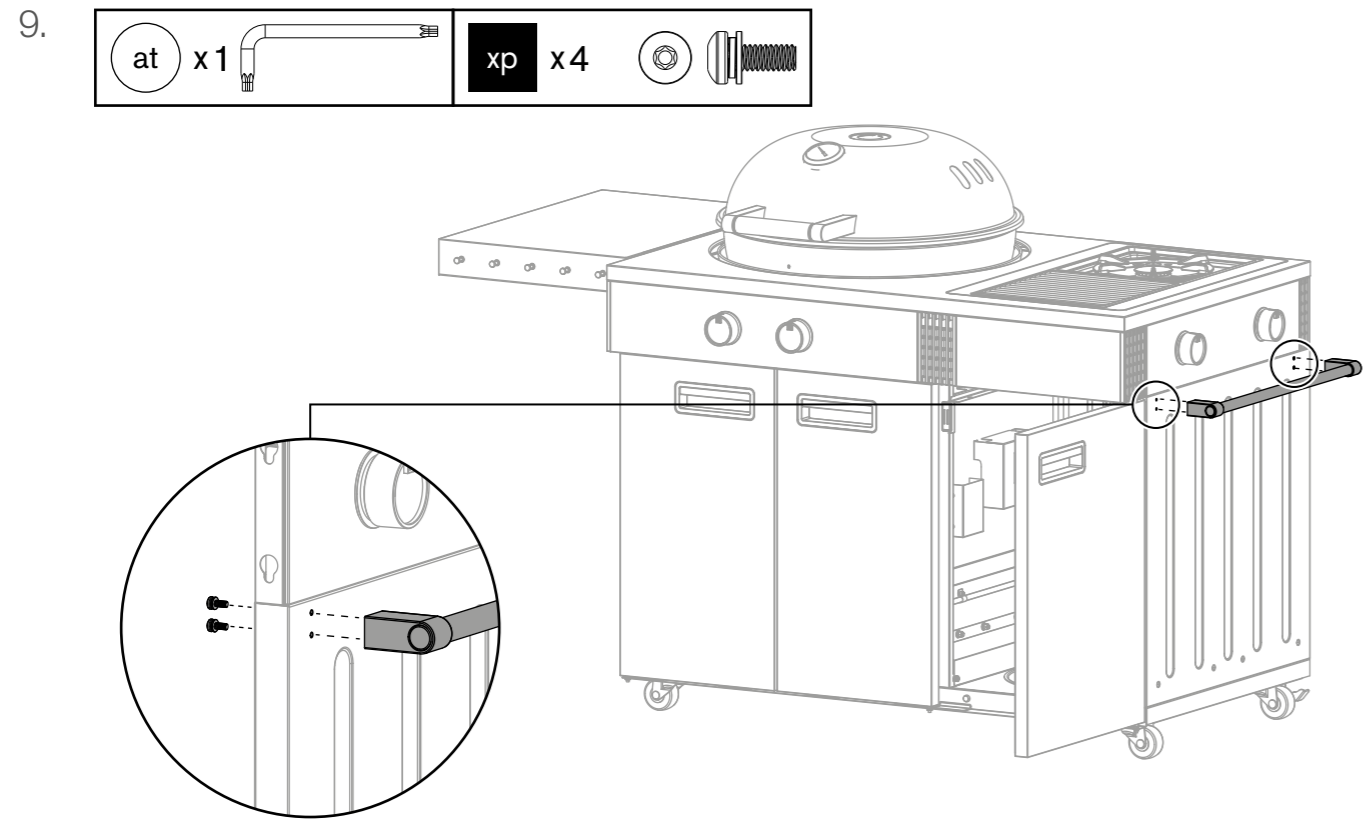
2.



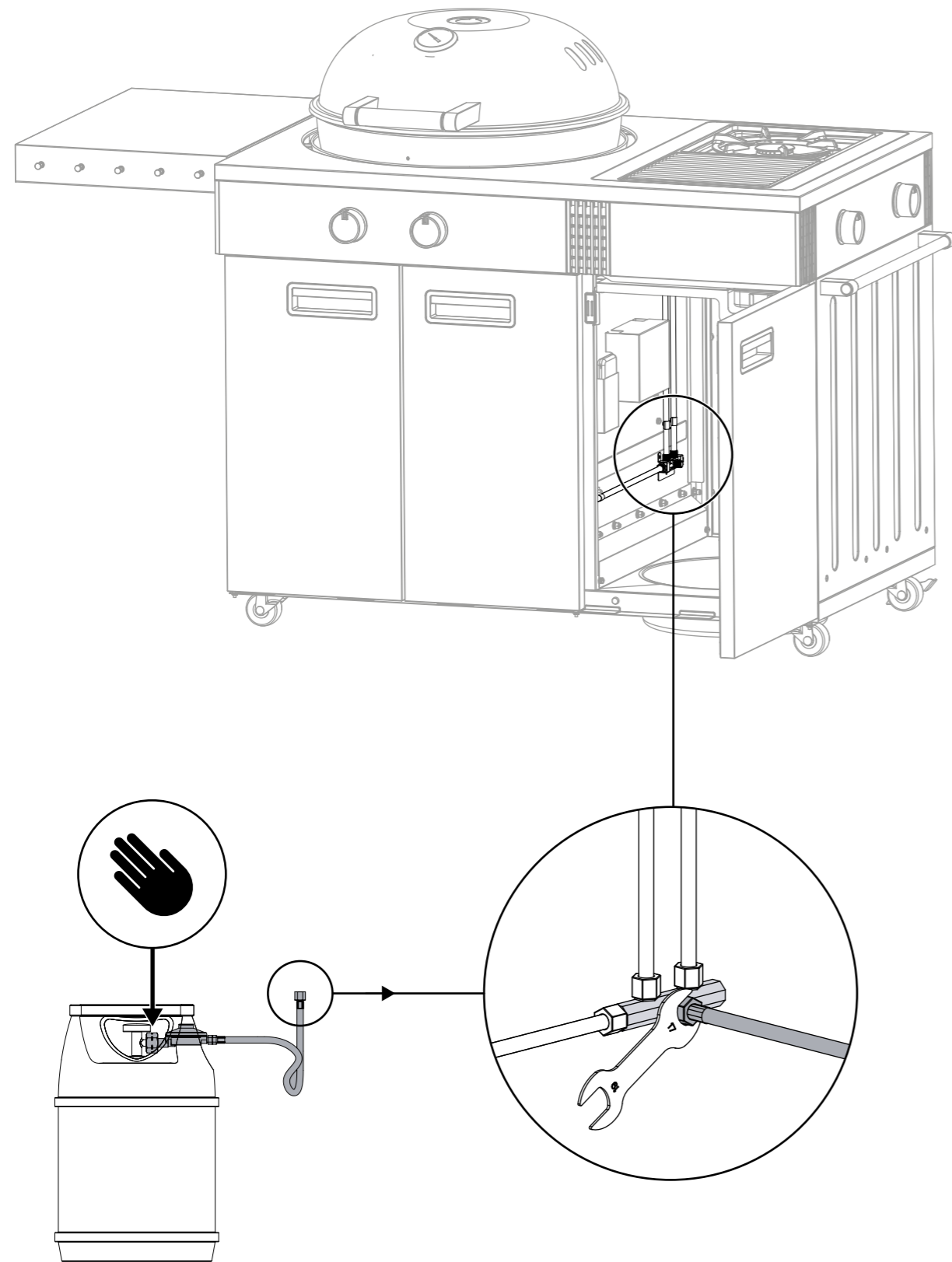
4.



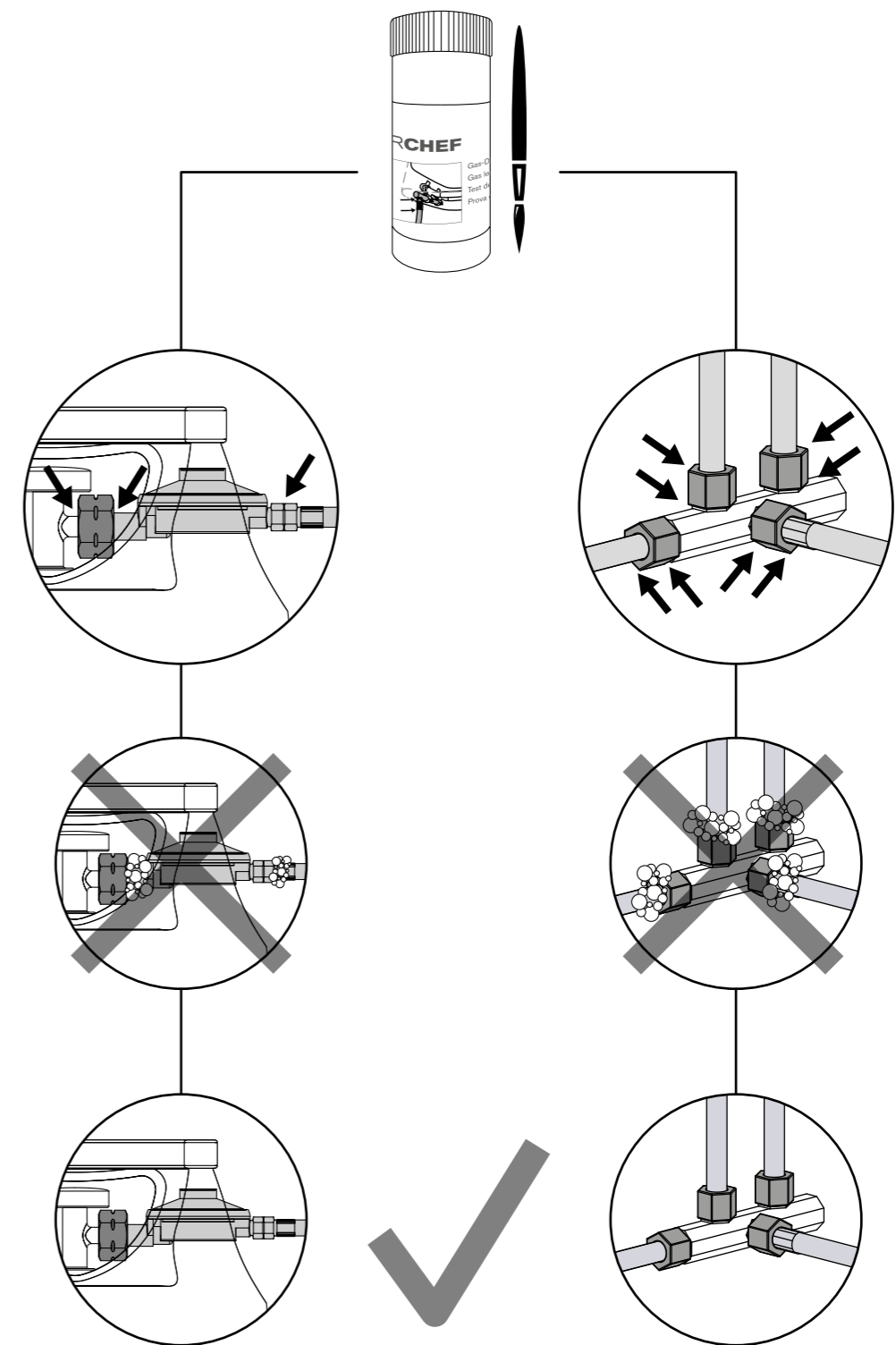


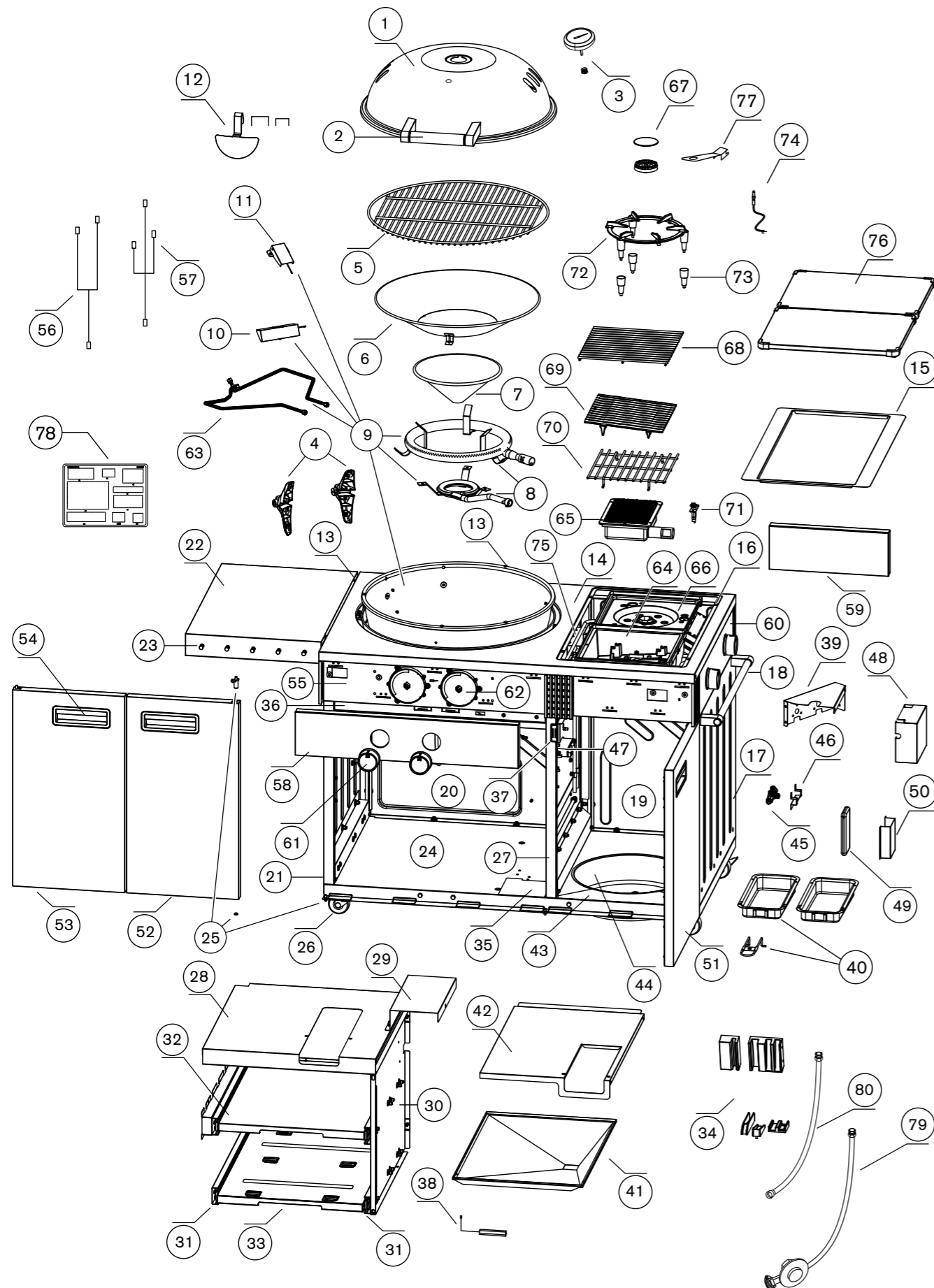


13.



14.



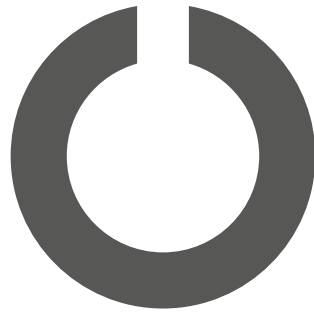


| SPAREPARTS | | | ERSATZTEIL-LISTE |
|------------|-----------|--|--|
| Pos. | Art. Nr. | Description | Beschreibung |
| 1 | 18.903.12 | Lid, black | Deckel, schwarz |
| 2 | 18.900.74 | Lid handle cubic set | Deckelgriff cubic Set |
| 3 | 18.850.30 | Heat indicator °C/°F | Temperatur Anzeiger °C/°F |
| 4 | 18.900.62 | Lid Hinge set | Deckelscharnier Set |
| 5 | 14.112.62 | Cooking grid stainless steel | Grillrost Edelstahl |
| 6 | 18.325.30 | Large Funnel stainless steel | Grosser Trichter Edelstahl |
| 7 | 18.325.31 | Small Funnel stainless steel | Kleiner Trichter Edelstahl |
| 8 | 18.903.20 | GBT Burner set A 50mbar | GBT Brenner Set A 50mbar |
| 8 | 18.903.21 | GBT Burner set A 30mbar | GBT Brenner Set A 30mbar |
| 9 | 18.903.88 | Bowl complete 50mbar LUGANO 570 G EVO II | Kugel komplette 50mbar LUGANO 570 G EVO II |
| 9 | 18.903.89 | Bowl complete 30mbar LUGANO 570 G EVO II | Kugel komplette 30mbar LUGANO 570 G EVO II |
| 10 | 18.901.82 | Flame guard small burner 50 mbar | Flammenwächter kleiner Brenner 50mbar |
| 10 | 18.901.83 | Flame guard small burner 30 mbar | Flammenwächter kleiner Brenner 30mbar |
| 11 | 18.901.84 | Flame guard large burner 50 mbar | Flammenwächter grosser Brenner 50mbar |
| 11 | 18.901.85 | Flame guard large burner 30 mbar | Flammenwächter grosser Brenner 30mbar |
| 12 | 18.900.28 | Mirror set | Flammenspiegel Set |
| 13 | 18.900.81 | Protection pin set | Schutzstift Set |
| 14 | 18.903.59 | Top plate set Lugano EVO II | Deckplatte Set Lugano EVO II |
| 15 | 18.325.53 | Cover side burners | Abdeckung Seitenkochstellen |
| 16 | 18.903.60 | Protection pin set D | Schutzstift Set D |
| 17 | 18.903.61 | Right side panel set | Seitenabdeckung rechts Set |
| 18 | 18.903.62 | Trolley handle set | Fahrgriff Set |
| 19 | 18.903.63 | Right rear panel set | Abdeckung rechts hinten Set |
| 20 | 18.903.64 | Left rear panel set | Abdeckung links hinten Set |
| 21 | 18.903.65 | Left side panel set | Seitenabdeckung links Set |
| 22 | 18.903.66 | Foldable side table set | Seitentablar Set |
| 23 | 18.324.17 | Accessory pin set | Zubehör Pin Set |
| 24 | 18.325.54 | Bottom plate Lugano EVO II | Bodenplatte Lugano EVO II |
| 25 | 18.903.67 | Door Hinge set Lugano EVO II | Türscharnier Set Lugano EVO II |
| 26 | 18.903.96 | Caster set | Lenkrollen Set |
| 27 | 18.903.68 | Middle panel set | Mittelwand Set |
| 28 | 18.903.69 | Drawer cover plate set | Schubladendeckplatte Set |
| 29 | 18.903.70 | Connector panel set | Verbindungsplatte Set |
| 30 | 18.903.90 | Drawer panel set | Schubladenwand Set |
| 31 | 18.903.91 | Drawer rail set | Schubladenschiene Set |
| 32 | 18.903.71 | Upper drawer set | Obere Schublade |
| 33 | 18.903.72 | Lower drawer set | Untere Schublade |
| 34 | 18.903.73 | Storage holder set | Positionshalter Zubehör Set |
| 35 | 18.361.21 | Protection folie accessories | Schutzfolie Zubehör |
| 36 | 18.903.74 | Storage bracket set | Kastenstrebe Set |
| 37 | 18.903.75 | Door Magnet set | Türmagnet Set |
| 38 | 18.903.53 | Storage light set | Stauraumlicht Set |
| 39 | 18.903.85 | Burner holder bracket set | Brennerhalter Set |

LUGANO 570 G EVO II

| SPAREPARTS | | | ERSATZTEIL-LISTE |
|------------|-----------|-------------------------------------|--|
| Pos. | Art. Nr. | Description | Beschreibung |
| 40 | 18.901.32 | Drip pan set | Fettauffangschale Set |
| 41 | 18.324.29 | Collection sheet | Fettauffang-Blech |
| 42 | 18.324.30 | Heat shield | Abstrahlblech |
| 43 | 18.361.13 | Protection foil gas tank | Schutzfolie Gasflasche |
| 44 | 18.324.34 | Bottle jacket | Flaschenschale |
| 45 | 14.911.66 | T-Connector | T-Verbindungstück |
| 46 | 18.903.76 | T-Connector holder set | T-Verbindungstück Halter Set |
| 47 | 18.903.95 | Pulse ignitor 4 outlet 5V | Elektrozünder 4 Ausgänge 5V |
| 48 | 18.903.77 | Electric cover set | Elektrik Abdeckung Set |
| 49 | 18.341.46 | Power Bank 10'000mAh | Power Bank 10'000mAh |
| 50 | 18.903.78 | Power Bank holder set | Power Bank Halter Set |
| 51 | 18.903.79 | Door right set | Tür rechte Seite Set |
| 52 | 18.903.80 | Door middle set | Tür Mitte Set |
| 53 | 18.903.81 | Door left set | Tür linke Seite Set |
| 54 | 18.903.94 | Door handle set | Türgriff Set |
| 55 | 18.903.82 | Main control panel 50mbar | Bedienkonsole 50mbar |
| 55 | 18.903.83 | Main control panel 30mbar | Bedienkonsole 30mbar |
| 56 | 18.341.48 | Cable tree ignition | Kabelbaum Zündung Lugano EVO II |
| 57 | 18.341.47 | Cable tree light | Kabelbaum Licht Lugano EVO II |
| 58 | 18.325.55 | Main control panel glass left | Glas Linke Bedienkonsole |
| 59 | 18.325.56 | Main control panel glass right | Glas Rechte Bedienkonsole |
| 60 | 18.325.57 | Stove panel | Seitenkochstelle Konsole |
| 61 | 18.903.87 | Control knob with light set | Bedienknopf mit Licht Set |
| 62 | 18.903.84 | LED frame set | LED Anzeige Set |
| 63 | 18.901.27 | Flex tube flame guard set A 50mbar | Flexschlauch Set A flame quard 50mbar |
| 63 | 18.904.03 | Flex tube flame guard set A 30mbar | Flexschlauch Set A flame quard 30mbar |
| 64 | 18.212.96 | Blazing Zone insert 50 mbar | BLAZING ZONE insert 50mbar Lugano EVO II |
| 64 | 18.212.97 | Blazing Zone insert 30 mbar | BLAZING ZONE Insert 30mbar Lugano EVO II |
| 65 | 18.341.41 | Blazing burner 50mbar | Blazing Brenner 50mbar |
| 65 | 18.341.42 | Blazing burner 30mbar | Blazing Brenner 30mbar |
| 66 | 18.212.83 | Cooking insert 50 mbar | Seitenkochstell Einsatz 50 mbar |
| 66 | 18.212.84 | Cooking insert 30 mbar | Seitenkochstell Einsatz 30 mbar |
| 67 | 18.903.34 | Cooker head set | Seiten Brenner Kopf Set |
| 68 | 18.325.20 | Cooking grid | Grillrost Blazing Zone |
| 69 | 18.325.34 | Heat Diffuser | Heat Diffuser |
| 70 | 18.325.32 | Blazing grid | Blazing Grillrost |
| 71 | 18.341.31 | Electrode/pilot burner Blazing Zone | Elektrode / Pilot Brenner Blazing Zone |
| 72 | 18.341.34 | Pan Grid 3 steps | Pfannenhalter 3 Stufen |
| 73 | 18.903.36 | Silicon Protection set pan grid | Silicon Schutz Set Pfannenhalter |
| 74 | 18.341.33 | Electrode | Elektrode |
| 75 | 18.903.97 | Stove fixing plate set | Seitenkochstelle Halter Set |
| 76 | 14.491.58 | BZ/ CZ cover | Abdeckung BZ/CZ |
| 77 | 18.325.33 | Grid lifter | Grid lifter |

| SPAREPARTS | | | ERSATZTEIL-LISTE |
|------------|-----------|--|--|
| Pos. | Art. Nr. | Description | Beschreibung |
| 78 | 18.379.71 | Hardware set LUGANO 570 G EVO II | Schraubenset LUGANO 570 G EVO II |
| 79 | 14.911.38 | Gas hose & regulator CH | Gasschlauch & Regler CH |
| 79 | 14.911.40 | Gas hose & regulator DE,AT | Gasschlauch & Regler DE,AT |
| 79 | 14.911.42 | Gas hose & regulator DK,FI,IS,NO,PT,SP | Gasschlauch & Regler DK,FI,IS,NO,PT,SP |
| 79 | 14.911.51 | Gas hose & regulator IT, GR | Gasschlauch & Regler IT,GR |
| 79 | 14.911.47 | Gas hose & regulator BG | Gasschlauch & Regler BG |
| 79 | 14.911.43 | Gas hose & regulator GB | Gasschlauch & Regler GB |
| 79 | 14.911.58 | Gas hose & regulator HU | Gasschlauch & Regler HU |
| 79 | 14.911.56 | Gas hose & regulator MT | Gasschlauch & Regler MT |
| 79 | 14.911.49 | Gas hose & regulator PL | Gasschlauch & Regler PL |
| 79 | 14.911.47 | Gas hose & regulator SE | Gasschlauch & Regler SE |
| 79 | 14.911.53 | Gas hose & regulator AL,BA,HR,CZ,IL,LT,MK,MD,RO,RS,SK,SI | Gasschlauch & Regler AL,BA,HR,CZ,IL,LT,MK,MD,RO,RS,SK,SI |
| 80 | 14.921.25 | Gas hose FR | Gasschlauch FR |



OUTDOORCHEF.COM



Outdoorchef AG | Eggbühlstrasse 28 | Postfach | 8050 Zürich | Switzerland
Outdoorchef Benelux B.V. | Databankweg 26 | 3821 AL Amersfoort | The Netherlands
Outdoorchef Austria GmbH | Handelskai 94-96 / 23rd & 24th Floor Millennium Tower | 1220 Vienna | Austria
Outdoorchef Deutschland GmbH | Ochsenmattstr. 10 | 79618 Rheinfelden | Germany

LUGANO 570 G EVO II | AUGUST 2023